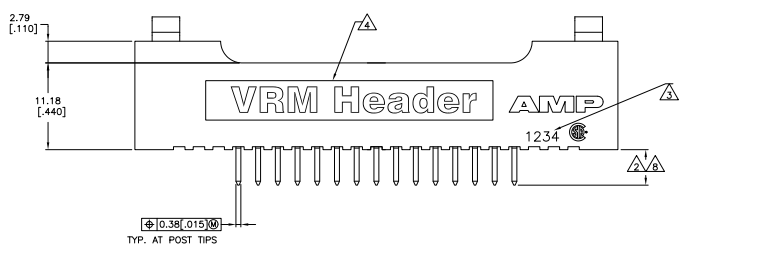
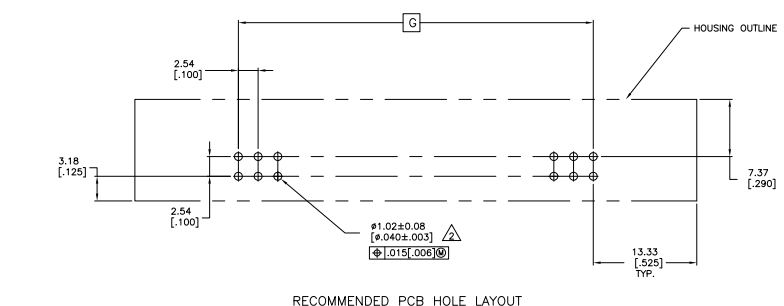


SECTION Z-Z



- △ FINISH OVER INDICATED AREA: 0.000762 [.000030] MIN GOLD OVER 0.00127 [.000050] NICKEL. MEETS EIA-364-53 POROSITY, MEAS. AREA .130 FROM TIP.
- △ FINISH OVER INDICATED AREA: 0.00254 [.000100]-0.00635 [.000250] BRIGHT TIN-LEAD OVER 0.00127 [.000050] NICKEL.
- △ DATE CODE EITHER SIDE, WITH COUNTRY OF ORIGIN IF APPLICABLE.
- △ "VRM Header" MOLDED INTO BOTH SIDES OF HOUSING. WITH MATTE BACKGROUND.
- △ MATERIAL: GLASS FILLED VO THERMOPLASTIC COLOR: BLACK
- 6. RESTRICTED TO INTEL VRM PROGRAM
- △ PRELIMINARY PART - NOT RELEASED FOR PRODUCTION.
- △ FINISH OVER INDICATED AREA: 0.00254-0.00635 [.000100-0.00250] MATTE TIN OVER 0.00127 [.000050] NICKEL
- △ ROHS 2002/95/EC COMPLIANT



△	99.06 [3.900]	117.73 [4.635]	108.46 [4.270]	125.73 [4.950]	109.22 [4.300]	99.06 [3.900]	39	80	5-146205-4
△	35.56 [1.400]	54.23 [2.135]	44.96 [1.770]	62.23 [2.450]	45.72 [1.800]	35.56 [1.400]	14	30	5-146205-1
△	99.06 [3.900]	117.73 [4.635]	108.46 [4.270]	125.73 [4.950]	109.22 [4.300]	99.06 [3.900]	39	80	146205-4
OBS	-	-	-	-	-	-	-	-	146205-3
OBS	-	-	-	-	-	-	-	-	146205-2
△	35.56 [1.400]	54.23 [2.135]	44.96 [1.770]	62.23 [2.450]	45.72 [1.800]	35.56 [1.400]	14	30	146205-1
FINISH	G	F	E	D	C	B	A	NO OF POSN.	PART NUMBER

THIS DRAWING IS A CONTROLLED DOCUMENT. DATE: 11-23-04

DESIGNED BY: J. FINLEY DATE: 11-23-04
 DRAWN BY: J. FINLEY DATE: 11-23-04
 CHECKED BY: J. FINLEY DATE: 11-23-04
 APPROVED BY: J. FINLEY DATE: 11-23-04

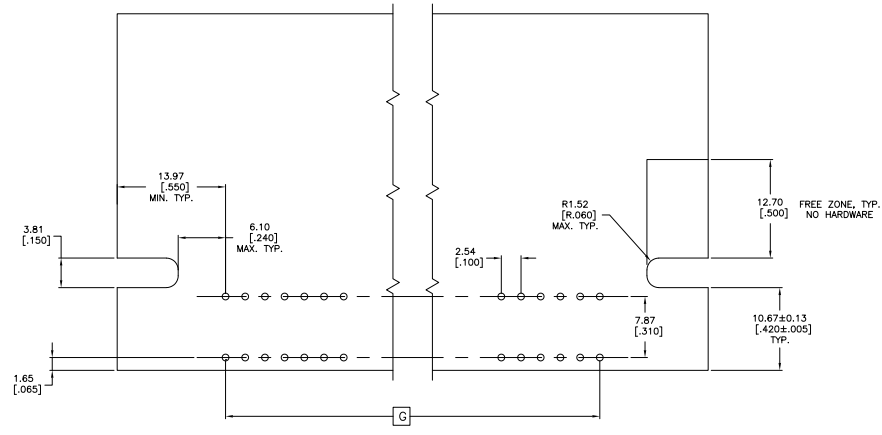
ASSEMBLY: VRM 7 HEADER, MOD II, DOUBLE ROW, 2 PIECE, .100 X .100 CL, .025 SQ. POST, WITH BOWSLATCH

SIZE: A1 00779 G=146205

CUSTOMER DRAWING

THIS DRAWING IS UNPUBLISHED. RELEASED FOR PUBLICATION
 © 2008 Tyco Electronics Corporation. ALL RIGHTS RESERVED.

REV	DATE	BY	CHKD	DESCRIPTION	DATE	BY	CHKD
AD 39				SEE SHEET 1			



BOARD LAYOUT FOR LATCHING AMP 2PC. RECEPTACLE

THIS DRAWING IS A CONTROLLED DOCUMENT.		REV. NUMBER	11-23-24	Tyco Electronics Corporation Harrisburg, Pa 17105-2608
DRAWING NO. (MORS)		REV. DATE	11-23-24	
REVISIONS		REV. NO.	11-23-24	ASSEMBLY, VRM 7 HEADER, MOD II, DOUBLE ROW, 2 PIECE, .100 X .100 CL, 025 SQ. POST, WITH BOARDLATCH
DESCRIPTION		REV. DATE	11-23-24	
DRAWN BY		DESIGNED BY		TITLE
CHECKED BY		APPROVED BY		DATE
DATE		DATE		REV. NO.
CUSTOMER DRAWING		DATE	4.1	REV. NO.
		DATE	2	REV. NO.
		DATE	2	REV. NO.
		DATE	2	REV. NO.

AMP 400 REV 2/2008