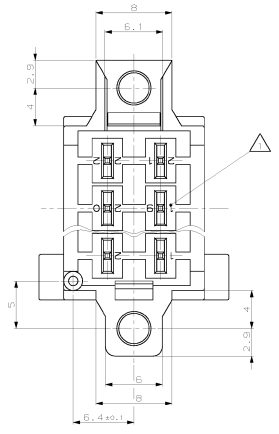
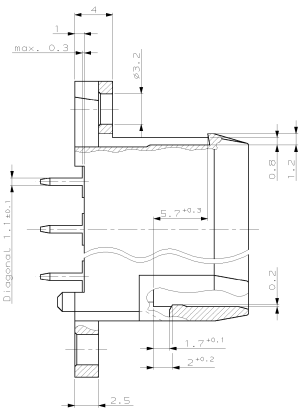
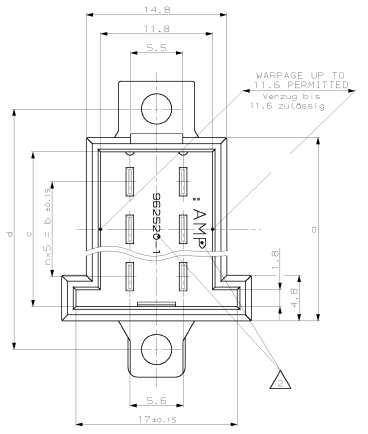
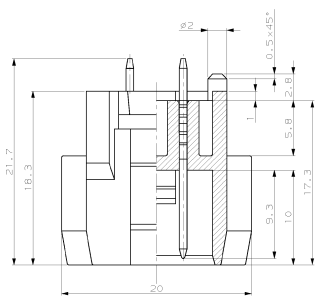


Part 1: 963357-1, Part 2: 963357-2, Part 3: 963357-3, Part 4: 963357-4, Part 5: 963357-5, Part 6: 963357-6



| REVISED | | REVISIONS | | | |
|----------|------|--|-----|-----|------|
| REV. NO. | DATE | DESCRIPTION | BY | CHK | APP. |
| A1 | - | Customer Drawing | --- | --- | --- |
| 1 | - | Zeichnung überarbeitet | --- | --- | --- |
| 2 | - | Zeichnung überarbeitet | --- | --- | --- |
| 3 | - | Zeichnung überarbeitet | --- | --- | --- |
| 4 | - | 1.000007, 1.000008, 1.000009, 1.000010, 1.000011, 1.000012, 1.000013, 1.000014, 1.000015, 1.000016, 1.000017, 1.000018, 1.000019, 1.000020, 1.000021, 1.000022, 1.000023, 1.000024, 1.000025, 1.000026, 1.000027, 1.000028, 1.000029, 1.000030, 1.000031, 1.000032, 1.000033, 1.000034, 1.000035, 1.000036, 1.000037, 1.000038, 1.000039, 1.000040, 1.000041, 1.000042, 1.000043, 1.000044, 1.000045, 1.000046, 1.000047, 1.000048, 1.000049, 1.000050, 1.000051, 1.000052, 1.000053, 1.000054, 1.000055, 1.000056, 1.000057, 1.000058, 1.000059, 1.000060, 1.000061, 1.000062, 1.000063, 1.000064, 1.000065, 1.000066, 1.000067, 1.000068, 1.000069, 1.000070, 1.000071, 1.000072, 1.000073, 1.000074, 1.000075, 1.000076, 1.000077, 1.000078, 1.000079, 1.000080, 1.000081, 1.000082, 1.000083, 1.000084, 1.000085, 1.000086, 1.000087, 1.000088, 1.000089, 1.000090, 1.000091, 1.000092, 1.000093, 1.000094, 1.000095, 1.000096, 1.000097, 1.000098, 1.000099, 1.000100 | --- | --- | --- |
| 5 | - | 1.000007, 1.000008, 1.000009, 1.000010, 1.000011, 1.000012, 1.000013, 1.000014, 1.000015, 1.000016, 1.000017, 1.000018, 1.000019, 1.000020, 1.000021, 1.000022, 1.000023, 1.000024, 1.000025, 1.000026, 1.000027, 1.000028, 1.000029, 1.000030, 1.000031, 1.000032, 1.000033, 1.000034, 1.000035, 1.000036, 1.000037, 1.000038, 1.000039, 1.000040, 1.000041, 1.000042, 1.000043, 1.000044, 1.000045, 1.000046, 1.000047, 1.000048, 1.000049, 1.000050, 1.000051, 1.000052, 1.000053, 1.000054, 1.000055, 1.000056, 1.000057, 1.000058, 1.000059, 1.000060, 1.000061, 1.000062, 1.000063, 1.000064, 1.000065, 1.000066, 1.000067, 1.000068, 1.000069, 1.000070, 1.000071, 1.000072, 1.000073, 1.000074, 1.000075, 1.000076, 1.000077, 1.000078, 1.000079, 1.000080, 1.000081, 1.000082, 1.000083, 1.000084, 1.000085, 1.000086, 1.000087, 1.000088, 1.000089, 1.000090, 1.000091, 1.000092, 1.000093, 1.000094, 1.000095, 1.000096, 1.000097, 1.000098, 1.000099, 1.000100 | --- | --- | --- |
| 6 | - | 1.000007, 1.000008, 1.000009, 1.000010, 1.000011, 1.000012, 1.000013, 1.000014, 1.000015, 1.000016, 1.000017, 1.000018, 1.000019, 1.000020, 1.000021, 1.000022, 1.000023, 1.000024, 1.000025, 1.000026, 1.000027, 1.000028, 1.000029, 1.000030, 1.000031, 1.000032, 1.000033, 1.000034, 1.000035, 1.000036, 1.000037, 1.000038, 1.000039, 1.000040, 1.000041, 1.000042, 1.000043, 1.000044, 1.000045, 1.000046, 1.000047, 1.000048, 1.000049, 1.000050, 1.000051, 1.000052, 1.000053, 1.000054, 1.000055, 1.000056, 1.000057, 1.000058, 1.000059, 1.000060, 1.000061, 1.000062, 1.000063, 1.000064, 1.000065, 1.000066, 1.000067, 1.000068, 1.000069, 1.000070, 1.000071, 1.000072, 1.000073, 1.000074, 1.000075, 1.000076, 1.000077, 1.000078, 1.000079, 1.000080, 1.000081, 1.000082, 1.000083, 1.000084, 1.000085, 1.000086, 1.000087, 1.000088, 1.000089, 1.000090, 1.000091, 1.000092, 1.000093, 1.000094, 1.000095, 1.000096, 1.000097, 1.000098, 1.000099, 1.000100 | --- | --- | --- |
| 7 | - | 1.000007, 1.000008, 1.000009, 1.000010, 1.000011, 1.000012, 1.000013, 1.000014, 1.000015, 1.000016, 1.000017, 1.000018, 1.000019, 1.000020, 1.000021, 1.000022, 1.000023, 1.000024, 1.000025, 1.000026, 1.000027, 1.000028, 1.000029, 1.000030, 1.000031, 1.000032, 1.000033, 1.000034, 1.000035, 1.000036, 1.000037, 1.000038, 1.000039, 1.000040, 1.000041, 1.000042, 1.000043, 1.000044, 1.000045, 1.000046, 1.000047, 1.000048, 1.000049, 1.000050, 1.000051, 1.000052, 1.000053, 1.000054, 1.000055, 1.000056, 1.000057, 1.000058, 1.000059, 1.000060, 1.000061, 1.000062, 1.000063, 1.000064, 1.000065, 1.000066, 1.000067, 1.000068, 1.000069, 1.000070, 1.000071, 1.000072, 1.000073, 1.000074, 1.000075, 1.000076, 1.000077, 1.000078, 1.000079, 1.000080, 1.000081, 1.000082, 1.000083, 1.000084, 1.000085, 1.000086, 1.000087, 1.000088, 1.000089, 1.000090, 1.000091, 1.000092, 1.000093, 1.000094, 1.000095, 1.000096, 1.000097, 1.000098, 1.000099, 1.000100 | --- | --- | --- |



REMARKS
Bemerkungen

- △ CAVITY MARKING
Kammernummerierung
- △ AMP TRADEMARK AND AMP NO.
AMP-Logo und AMP-Nr.
- △ MATERIAL OF MALE CONN. HOUSING
Material der Messerleistegehäuse:
PBT/PC-GF20 (BLACK/schwarz)
- MATERIAL OF TAB FOR P/N's 963357-1 TO ...-6
Material der Kontakte für P/N's 963357-1 bis ...-6:
CuZn30 (SILVER PLATED/versilbert)
- MATERIAL OF TAB FOR P/N 1-963357-11
Material der Kontakte für P/N 1-963357-11:
CuSn4 (TIN PLATED/verzinkt)

| AMP ORDER-NO. Bestell-Nr. | REV | DESCRIPTION Benennung | n | a | b ±0.10 | c ±0.2 | d ±0.15 | CAVITY SYMBOL Kammerbezeichnung | AMP PARTING PLUG Legendebohrer |
|------------------------------|-----|--------------------------------|----|------|---------|--------|---------|------------------------------------|-----------------------------------|
| 1-963357-1 | A | 22POS. MALE CONN. Messerleiste | 10 | 59.3 | 50 | 56.3 | 65.3 | | 929504-7 |
| 963357-6 | A | 4POS. MALE CONN. Messerleiste | 1 | 14.3 | 5 | 11.3 | 20.3 | | 929504-1 |
| 963357-5 | A | 6POS. MALE CONN. Messerleiste | 2 | 19.3 | 10 | 16.3 | 25.3 | | 929504-2 |
| 963357-4 | A | 10POS. MALE CONN. Messerleiste | 4 | 29.3 | 20 | 26.3 | 35.3 | | 929504-4 |
| 963357-3 | A | 14POS. MALE CONN. Messerleiste | 6 | 39.3 | 30 | 36.3 | 45.3 | | 929504-5 |
| 963357-2 | A | 18POS. MALE CONN. Messerleiste | 8 | 49.3 | 40 | 46.3 | 55.3 | | 929504-6 |
| 963357-1 | A | 22POS. MALE CONN. Messerleiste | 10 | 59.3 | 50 | 56.3 | 65.3 | | 929504-7 |

| | | | | |
|------------------------------------|-----|-------------------------|-----|-----|
| | | | | |
| BLACK / schwarz | --- | --- | --- | --- |
| CUSTOMER DRAWING / KUNDENZEICHNUNG | | DATE / DATUM: 5.11.1987 | | |

Lead Free Conversion in Process - Refer to Specification 230-700 at www.tycoelectronics.com/leadfree