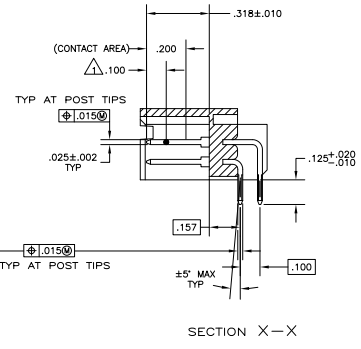
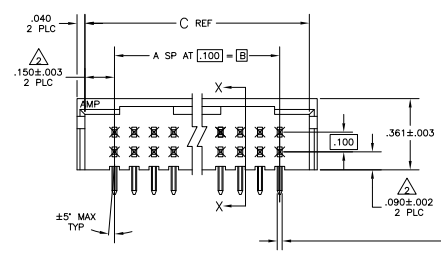
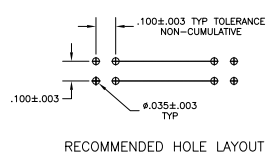
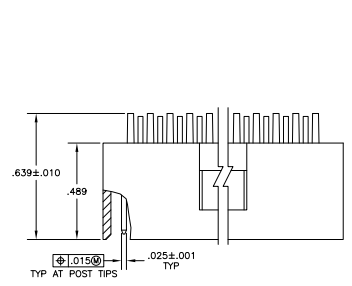


REV	DATE	DESCRIPTION	BY	CHK	APP
H	02/03/02/05	27#PINS	BSV	JLG	
H1	REVISED PER ECO-09-021826		6#M10	KK	AEC



- △ POINT OF MEASUREMENT FOR PLATING THICKNESS.
- △ THE NOTED DIMENSION APPLIES AT THE INTERSECTION OF THE POST AND HOUSING
- △ OBSOLETE PART NUMBERS
- △ POSTS: .000030 GOLD IN CONTACT AREA, .000100-.000200 MATTE TIN-LEAD ON SOLDER TAIL, ALL OVER .000050 NICKEL
- △ POSTS: .000030 GOLD IN CONTACT AREA, .000100-.000200 MATTE TIN ON SOLDER TAIL, ALL OVER .000050 NICKEL
- △ OBSOLETE PARTS: OBSOLETE CIS STREAMLINING PER D.RENAUD/D.SINISI

△ OBSOLETE	3.200	2.900	29	60	7-103165-6
△ OBSOLETE	2.700	2.400	24	50	7-103165-1
△ OBSOLETE	2.200	1.900	19	40	6-103165-6
△ OBSOLETE	1.900	1.600	16	34	6-103165-3
△ OBSOLETE	1.700	1.400	14	30	6-103165-1
△ OBSOLETE	1.500	1.200	12	26	5-103165-9
△ OBSOLETE	1.400	1.100	11	24	5-103165-8
△ OBSOLETE	1.200	.900	9	20	5-103165-6
△ OBSOLETE	1.100	.800	8	18	5-103165-5
△ OBSOLETE	1.000	.700	7	16	5-103165-4
△ OBSOLETE	.900	.600	6	14	5-103165-3
△ OBSOLETE	.800	.500	5	12	5-103165-2
△ OBSOLETE	.700	.400	4	10	5-103165-1
△ OBSOLETE	3.800	3.500	35	72	3-103165-2
△ OBSOLETE	3.700	3.400	34	70	3-103165-1
△ OBSOLETE	3.600	3.300	33	68	3-103165-0
△ OBSOLETE	3.500	3.200	32	66	2-103165-9
△ OBSOLETE	3.400	3.100	31	64	2-103165-8
△ OBSOLETE	3.300	3.000	30	62	2-103165-7
△ OBSOLETE	3.200	2.900	29	60	2-103165-6
△ OBSOLETE	3.100	2.800	28	58	2-103165-5
△ OBSOLETE	3.000	2.700	27	56	2-103165-4
△ OBSOLETE	2.900	2.600	26	54	2-103165-3
△ OBSOLETE	2.800	2.500	25	52	2-103165-2
△ OBSOLETE	2.700	2.400	24	50	2-103165-1
△ OBSOLETE	2.600	2.300	23	48	2-103165-0
△ OBSOLETE	2.500	2.200	22	46	1-103165-9
△ OBSOLETE	2.400	2.100	21	44	1-103165-8
△ OBSOLETE	2.300	2.000	20	42	1-103165-7
△ OBSOLETE	2.200	1.900	19	40	1-103165-6
△ OBSOLETE	2.100	1.800	18	38	1-103165-5
△ OBSOLETE	2.000	1.700	17	36	1-103165-4
△ OBSOLETE	1.900	1.600	16	34	1-103165-3
△ OBSOLETE	1.800	1.500	15	32	1-103165-2
△ OBSOLETE	1.700	1.400	14	30	1-103165-1
△ OBSOLETE	1.600	1.300	13	28	1-103165-0
△ OBSOLETE	1.500	1.200	12	26	103165-9
△ OBSOLETE	1.400	1.100	11	24	103165-8
△ OBSOLETE	1.300	1.000	10	22	103165-7
△ OBSOLETE	1.200	.900	9	20	103165-6
△ OBSOLETE	1.100	.800	8	18	103165-5
△ OBSOLETE	1.000	.700	7	16	103165-4
△ OBSOLETE	.900	.600	6	14	103165-3
△ OBSOLETE	.800	.500	5	12	103165-2
△ OBSOLETE	.700	.400	4	10	103165-1

PLATING	C	B	A	NO OF POSN	PART NUMBER

THIS DRAWING IS A CONTROLLED DOCUMENT.
 TYS ELECTRONICS CORPORATION
 HARRISBURG, PA 17105-3008

DESCRIPTION: HEADER ASSY, MOD H, DEL ROW, .100X.100 C/L, RIGHT ANGLE, (2) SPOKE SPRING

DATE: 02/07/09
 DRAWING NO: 103165
 CUSTOMER DRAWING