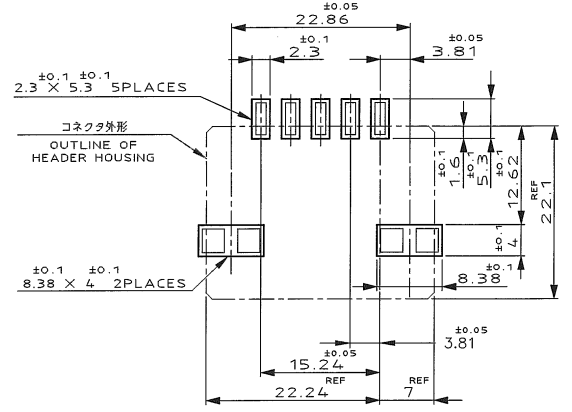
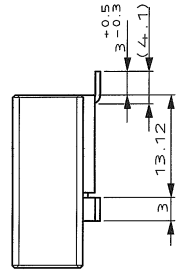
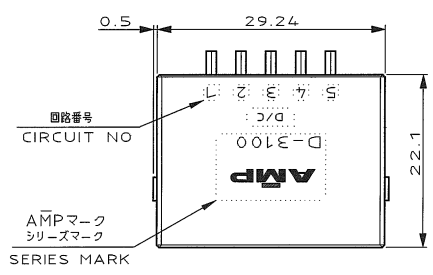
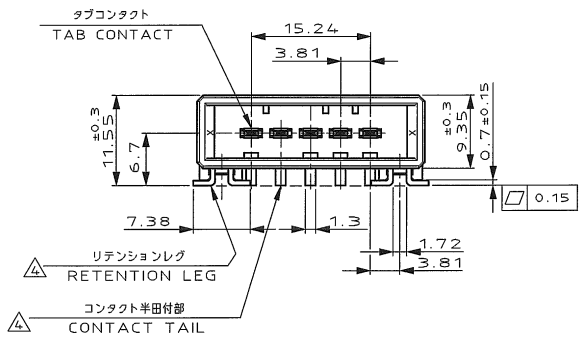


NUMBER 177662
 3rd ANGLE PROJECTION
 METRIC
 PROJ. NO. 392-610
 DIMENSIONS IN MILLIMETERS. DO NOT SCALE PRINT
 PRINT DIST.
 AMP-J
 REV.10/93



推奨基板取付け寸法
 (非累積公差)
 (コネクタ搭載面)
 RECOMMEND BOARD PATTERN
 (NOT ACCUMULATE TOLERANCE)
 (CONNECTOR MOUNT SIDE)



NOTES

- MATERIAL: HOUSING: GLASS FILLED THERMO PLASTIC, UL94V-0
 CONTACT: COPPER ALLOY
 RETENTION LEG: COPPER ALLOY
- FINISH (CONTACT AREA): 0.38μmMIN GOLD PLATING OVER Ni PLATING
- FINISH (CONTACT AREA): 0.76μmMIN GOLD PLATING OVER Ni PLATING
- FINISH (RETENTION LEG): TIN PLATED (SOLDER TYING) OVER NICKEL

注記

- 材料: ハウジング: ガラス入り熱可塑性樹脂, UL94V-0
 コンタクト: 銅合金
 リテンションレグ: 銅合金
- めっき: コンタクト接触部: ニッケル下地の金めっき 0.38μmMIN
- めっき: コンタクト接触部: ニッケル下地の金めっき 0.76μmMIN
- めっき: リテンションレグとコンタクト半田付部: ニッケル下地の金めっき

△	△	1-177662-3
△	△	1-177662-2
(FINISH)		製品番号 (PART NO.)

LTR	REVISION RECORD	DR	CHK	DATE
A	REVISED (FJD0-0039-03)	TS	SM	6/2
0	RELEASED (FJ00-0284-93)	NM	SM	9/30

Copyright © 1993 AMP(Japan) LTD. ALL RIGHTS RESERVED.		WIRE RANGE mm²(AWG -)		INSULATION DIA. mmφ		NAME 5 POS SINGLE ROW SMT TYPE HORIZONTAL HDR ASS'Y FOR DYNAMIC 3100	
MATERIAL SEE NOTE 注記参照		FINISH SEE NOTE 注記参照		DR. 25 SEP 93 N. Matsubara		DE. 25 SEP 93 N. Matsubara	
CHK. S. MANABE		APP. S. MANABE		30485100AF 角φ ±3°		SCALE 2-1	

Tyco Electronics		Tyco Electronics AMP K.K. Kawasaki, Japan	
SIZE A3	LOC J	NUMBER C=177662	
SCALE 2-1	REV. A	SHEET 1 OF 1	

(CUSTOMER DRAWING) 顧客用図面