

4

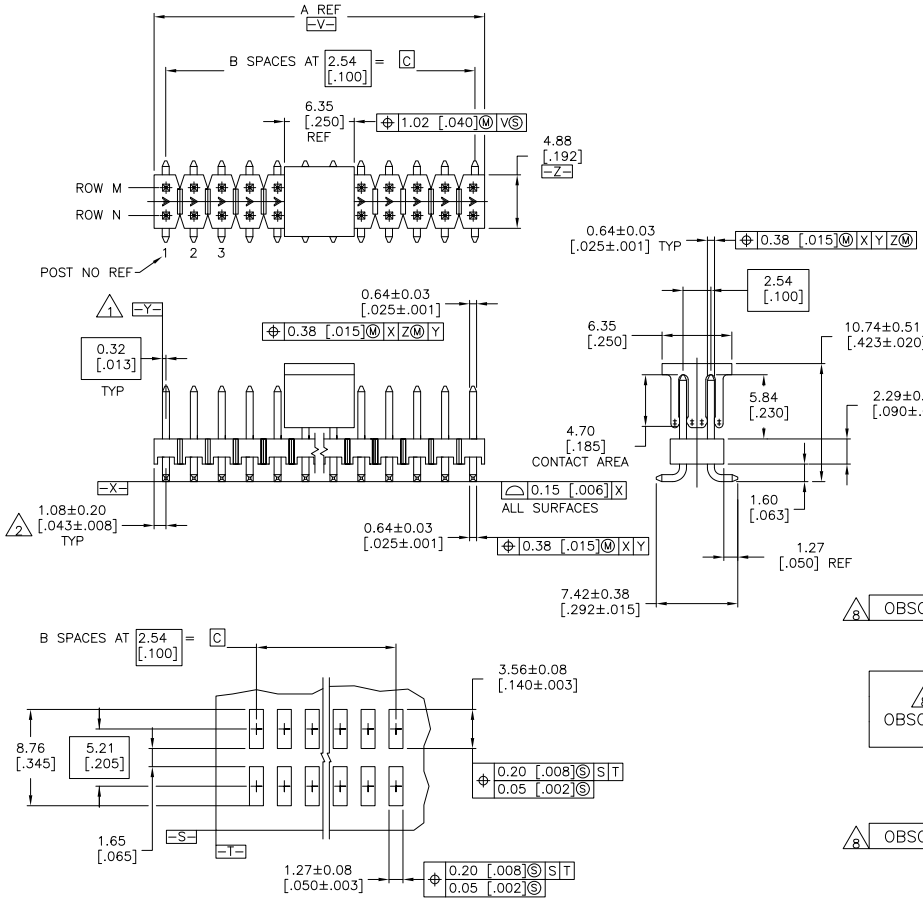
3

2

1

THIS DRAWING IS UNPUBLISHED. RELEASED FOR PUBLICATION.
 BY TYCO ELECTRONICS CORPORATION. ALL RIGHTS RESERVED.

LOC	DIST	REVISIONS		DATE	BY	APP'D
AD	00	F	LR			
		H3		REVISED PER ECO-10-001996	23FEB10	HMR JG



- 1 \triangle \square SHALL BE THE INTERSECTION OF THE POST AND THE HOUSING.
- 2 THE NOTED DIMENSION APPLIES FROM THE BASIC DIMENSION (NOT THE POST CENTERLINE) TO THE SURFACE INDICATED.
- 3 0.000762[.000030] GOLD ON CONTACT AREA, 0.00254-0.00508[.000100-.000200] MATTE TIN-LEAD ON SOLDER TAIL, ALL OVER 0.00127[.000050] NICKEL.
- 4 PACKAGED IN TAPE AND REEL PER EIA-481 SPECIFICATIONS. SEE TABLE FOR TAPE WIDTH.
- 5 HOUSING: LCP COLOR-BLACK. POST: PHOS. BRONZE.
- 6 PRELIMINARY PART - NOT RELEASED FOR PRODUCTION.
- 7 0.000762[.000030] GOLD ON CONTACT AREA, 0.00254-0.00508[.000100-.000200] MATTE TIN ON SOLDER TAIL, ALL OVER 0.00127[.000050] NICKEL.
- 8 OBSOLETE PARTS: OBSOLETE CIS STREAMLINING PER D.RENAUD/D.SINISI

8	OBSOLETE	7	44mm	8	NONE	17.78	7	19.91	16	5-147115-6			
		7	44mm	NONE	1	17.78	7	19.91	16	5-147115-5			
6	OBSOLETE	7	24mm	1	NONE	10.16	4	12.29	10	5-147115-4			
		7	44mm	13	1	30.48	12	32.61	26	5-147115-3			
8	OBSOLETE	7	56mm	1	15	35.56	14	37.69	30	5-147115-2			
		7	44mm	NONE	3	17.78	7	19.91	16	5-147115-1			
6	OBSOLETE	7	44mm	NONE	1	17.78	7	19.91	16	147115-5			
		7	24mm	1	NONE	10.16	4	12.29	10	147115-4			
8	OBSOLETE	7	44mm	13	1	30.48	12	32.61	26	147115-3			
		7	56mm	1	15	35.56	14	37.69	30	147115-2			
8	OBSOLETE	7	44mm	NONE	3	30.48	12	32.61	26	147115-1			
		7	44mm	NONE	3	17.78	7	19.91	16	147115-5			

PLATING TAPE WIDTH ROW M ROW N POSTS OMITTED C B A NO OF POSN PART NUMBER

THIS DRAWING IS A CONTROLLED DOCUMENT. DIM B HAYMAKER 000008
 CHK J GESEFORD 000008
 APP'D J GESEFORD 000008
 PRODUCT SPEC NAME
 APPLICATION SPEC
 WEIGHT
 FINISH
 SEE TABLE
 CUSTOMER DRAWING

Tyco Electronics Corporation
 Harrisburg, Pa 17105-3608

SURFACE MOUNT HEADER ASSEMBLY, MOD II,
 BREAKAWAY, VERTICAL, DOUBLE ROW,
 .100 X.100 CL, .025 SQ.POST, SELECT LOAD

SIZE 1 CASE CODE (DRAWING NO) RESTRICTED TO
 A2 00779 C=147115

SCALE 4:1 SHEET 1 OF 1 REV H3

AMP 1471-9 REV 31MM2000

147115

B

A