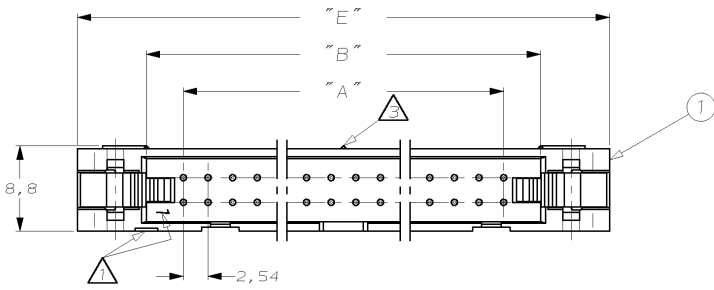


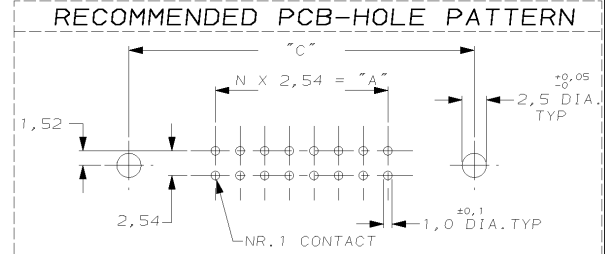
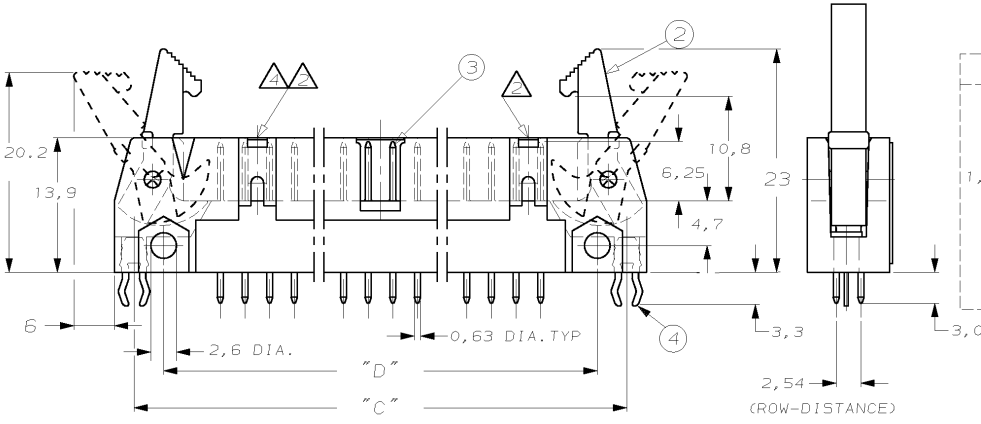
**DO NOT SCALE**  
DIMENSIONS IN mm

**METRIC**



**NOTES:**

- ① INDICATION OF FIRST POSITION.
- ② SNAP-IN POLARIZERS PN. 927636-2 OR 927637-2 CAN BE APPLIED HERE.
- ③ THERE IS NO CENTER STAND-OFF IN 10-26 POS. HEADERS.
- ④ THERE IS NO WINDOW FOR SNAP-IN POLARIZERS AT THIS END IN 10 AND 14 POS. HEADERS.



④ BOARD LOCK FOR AMP-LATCH PIN HEADER	BRONZE	5-10µm TIN OVER
③ PIN-CONTACT	BRASS	MATING SIDE: 0,8µm AU OR 0,8µm AMP DURAGOLD®/ OVER 1,27µm Ni SOLDER SIDE: MIN. 3,0µm Sn OVER 1,27µm Ni
② LATCH	GLASSFILLED POLYESTER	GREY
① HOUSING	GLASSFILLED POLYESTER	GREY
COMPONENT NAME		MATERIAL
		PLATING / COLOUR

100,6	90,4	96,5	86,4	78,7	64	6-216869-4
95,5	85,3	91,4	81,3	73,7	60	5-216869-0
82,8	72,6	78,7	68,6	61,0	50	5-216869-0
70,1	59,9	66,0	55,9	48,3	40	4-216869-0
62,5	52,3	58,4	48,3	40,6	34	3-216869-4
52,3	42,2	48,3	38,1	30,5	26	2-216869-6
44,7	34,5	40,6	30,5	22,9	20	2-216869-0
39,6	29,5	35,6	25,4	17,8	16	1-216869-6
37,1	26,9	33,0	22,9	15,2	14	1-216869-4
32,0	21,8	27,9	17,8	10,2	10	1-216869-0

**CUSTOMER DRAWING** FOR REFERENCE ONLY WILL NOT BE UPDATED

© COPYRIGHT 19- BY AMP HOLLAND B.V.  
ALL INTERNATIONAL RIGHTS RESERVED. AMP PRODUCTS MAY BE COVERED BY U.S. AND FOREIGN AND/OR PATENTS PENDING.  
THIS DRAWING IS UNPUBLISHED  
RELEASED FOR PUBLICATION - , 19 -

**AMP** | AMP HOLLAND B.V.  
's-Hertogenbosch,  
The Netherlands.

NAME: AMP-LATCH EJECTION-STYLE PIN HEADER STRAIGHT  
VERSION WITH LATCHES AND BOARD LOCK DEVICE

DIM. "E"	DIM. "D"	DIM. "C"	DIM. "B"	DIM. "A"	NR. OF POSITIONS	PARTNUMBER
<b>VARIABLE CONNECTOR DIMENSIONS</b>						

DR. : R. MOSEVEN	CHK. : R. VERSTIJNEN	APP. : L.V. SOEST	DWG. No. : C-216869	LOC. : AI A3	SHEET : 1 of 1	REV. LTR. : B1
DATE : 10-01-90	DATE : 11-01-90	DATE : 22-01-90				

R6-126 (REV. 04-91) 8  
29-JUN-99 15:38:02 ep003977

7  
6-216869-1.c (in PDF)

6

5

4

3

2

1