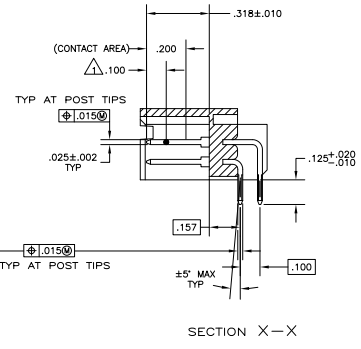
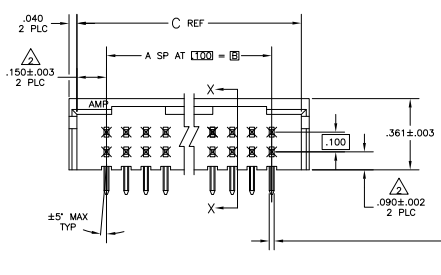
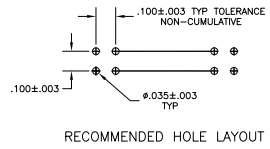
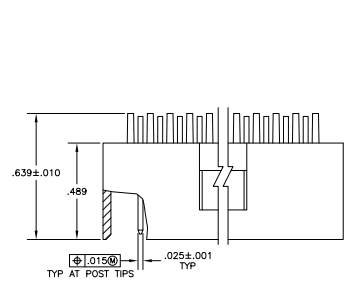


REV	DATE	DESCRIPTION	BY	CHK	APP
00					
K	EC 023C 0209 05		24MFRS	BSV	JLG
K1	REVISED PER ECO-09-020774		24MFRS	KK	AEG



- △ POINT OF MEASUREMENT FOR PLATING THICKNESS.
- △ THE NOTED DIMENSION APPLIES AT THE INTERSECTION OF THE POST AND HOUSING
- △ OBSOLETE PART NUMBER
- △ POSTS: .000015 GOLD IN CONTACT AREA .000100-.000200 MATTE TIN-LEAD ON SOLDER TAIL, ALL OVER .000050 NICKEL.
- △ POSTS: .000015 GOLD IN CONTACT AREA .000100-.000200 MATTE TIN ON SOLDER TAIL, ALL OVER .000050 NICKEL.
- △ OBSOLETE PARTS: OBSOLETE CIS STREAMLINING PER D.RENAUD/D.SINISI

PLATING	C	B	A	NO OF POSN	PART NUMBER
△ OBSOLETE	3.200	2.900	29	60	7-102620-6
△	2.700	2.400	24	50	7-102620-1
△	2.200	1.900	19	40	6-102620-6
△	1.900	1.600	16	34	6-102620-3
△	1.700	1.400	14	30	6-102620-1
△	1.500	1.200	12	26	5-102620-8
△	1.400	1.100	11	24	5-102620-8
△	1.200	.900	9	20	5-102620-6
△	1.100	.800	8	18	5-102620-5
△	1.000	.700	7	16	5-102620-4
△	.900	.600	6	14	5-102620-3
△	.800	.500	5	12	5-102620-2
△	.700	.400	4	10	5-102620-1
△	3.800	3.500	35	72	3-102620-2
△	3.700	3.400	34	70	3-102620-1
△	3.600	3.300	33	68	3-102620-0
△	3.500	3.200	32	66	2-102620-9
△	3.400	3.100	31	64	2-102620-8
△	3.300	3.000	30	62	2-102620-7
△	3.200	2.900	29	60	2-102620-6
△	3.100	2.800	28	58	2-102620-5
△	3.000	2.700	27	56	2-102620-4
△	2.900	2.600	26	54	2-102620-3
△	2.800	2.500	25	52	2-102620-2
△	2.700	2.400	24	50	2-102620-1
△	2.600	2.300	23	48	2-102620-0
△	2.500	2.200	22	46	1-102620-9
△	2.400	2.100	21	44	1-102620-8
△	2.300	2.000	20	42	1-102620-7
△	2.200	1.900	19	40	1-102620-6
△	2.100	1.800	18	38	1-102620-5
△	2.000	1.700	17	36	1-102620-4
△	1.900	1.600	16	34	1-102620-3
△	1.800	1.500	15	32	1-102620-2
△	1.700	1.400	14	30	1-102620-1
△ OBSOLETE	1.600	1.300	13	28	1-102620-0
△ OBSOLETE	1.500	1.200	12	26	102620-9
△	1.400	1.100	11	24	102620-8
△	1.300	1.000	10	22	102620-7
△	1.200	.900	9	20	102620-6
△	1.100	.800	8	18	102620-5
△	1.000	.700	7	16	102620-4
△	.900	.600	6	14	102620-3
△	.800	.500	5	12	102620-2
△	.700	.400	4	10	102620-1

THIS DRAWING IS A CONTROLLED DOCUMENT.

THIS ELECTRONICS CORPORATION
 Harrisburg, Pa 17105-3008

DATE: 10/07/79
 DRAWING NO: 102620
 CUSTOMER DRAWING

REVISIONS: 4, 1