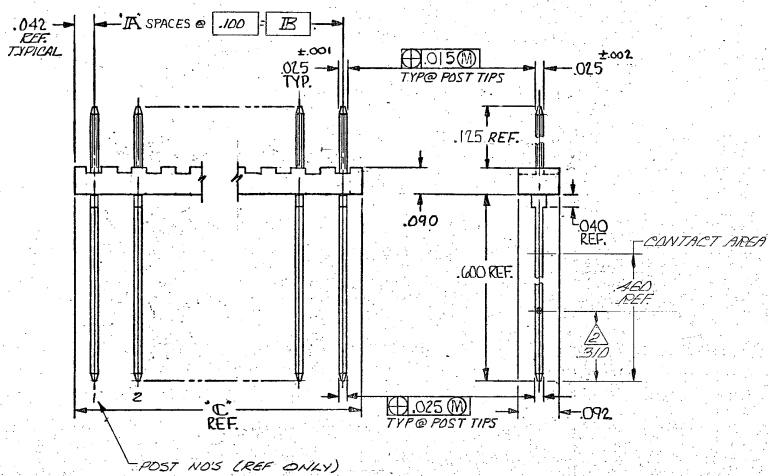


DRAWING MADE IN THIRD ANGLE PROJECTION

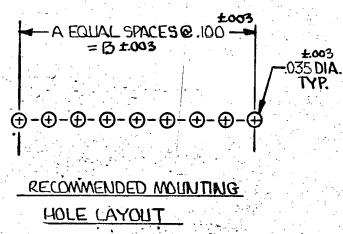
© COPYRIGHT 1975-81 by AMP INCORPORATED, HARRISBURG, PA. ALL INTERNATIONAL RIGHTS RESERVED. AMP INCORPORATED PRODUCTS COVERED BY U.S. AND FOREIGN PATENTS AND/OR PATENT PENDING.

AD:39

REVOLUTIONS		DESCRIPTION	DATE	APPROVED
✓	G	REV PER AD-6034	KIA	RF
✓	H	EC. 0010-1359-93	TK	TK
	H1	REVISED PER ECO-09-025273	18NOV80	AEG



- 1. TRUE POSITION TOLERANCE OF POST TIPS APPLIES WHEN HEADERS ARE HELD FLAT AGAINST PRINTED CIRCUIT BOARD.
- △ POINT OF MEASUREMENT FOR PLATING THICKNESS.
- △ .00015 GOLD ON CONTACT AREA, GOLD FLASH ON SOLDER AREA ALL OVER .00050 NICKEL.
- △ OBSOLETE PART NUMBER
- △ OBSOLETE PARTS: OBSOLETE CIS STREAMLINING PER D.RENAUD/D.SINISI



1, 2, 3, 4	3.984	3.900	39	40	4-87465-2
1	3.984	3.900	39	40	4-87465-1
NONE	3.884	3.800	38	39	4-87465-0
	3.784	3.700	37	38	3-△ -9
	3.684	3.600	36	37	3-△ -8
	3.584	3.500	35	36	3-△ -7
	3.484	3.400	34	35	3-△ -6
	3.384	3.300	33	34	3-△ -5
	3.284	3.200	32	33	3-△ -4
	3.184	3.100	31	32	3-△ -3
	3.084	3.000	30	31	3-△ -2
	2.984	2.900	29	30	3-△ -1
	2.884	2.800	28	29	3-△ -0
	2.784	2.700	27	28	2-△ -9
	2.684	2.600	26	27	2-△ -8
	2.584	2.500	25	26	2-△ -7
	2.484	2.400	24	25	2-△ -6
	2.384	2.300	23	24	2-△ -5
	2.284	2.200	22	23	2-△ -4
	2.184	2.100	21	22	2-△ -3
	2.084	2.000	20	21	2-△ -2
	1.984	1.900	19	20	2-△ -1
	1.884	1.800	18	19	2-△ -0
	1.784	1.700	17	18	1-△ -9
	1.684	1.600	16	17	1-△ -8
	1.584	1.500	15	16	1-△ -7
	1.484	1.400	14	15	1-△ -6
	1.384	1.300	13	14	1-△ -5
	1.284	1.200	12	13	1-△ -4
	1.184	1.100	11	12	1-△ -3
	1.084	1.000	10	11	1-△ -2
	.984	.900	9	10	1-△ -1
	.884	.800	8	9	1-△ -0
	.784	.700	7	8	0-△ -9
	.684	.600	6	7	0-△ -8
	.584	.500	5	6	0-△ -7
	.484	.400	4	5	0-△ -6
	.384	.300	3	4	0-△ -5
	.284	.200	2	3	0-△ -4
	.184	.100	1	2	0-△ -3
	.084	.000	0	1	0-△ -2
	3.984	3.900	39	40	87465-2
	.784	.700	7	8	87465-1
NONE POSTS OMITTED	C	IPB	IA	NO. OF POS.	PART NO

UNLESS OTHERWISE SPECIFIED DIMENSIONS ARE IN INCHES. TOLERANCES ON: DECIMALS ±.005 ANGLES	CONTRACT NO DR <i>BALOK</i> 12-7-72 CHK <i>...</i> 5-28-75	AMP INCORPORATED Harrisburg, Pa.
MATERIAL MSG. GLASS FILLED NYLON COLOR: BLACK	APPD <i>...</i> 5/30/75 APPD <i>R. Clark</i> 5/20/75	NAME HEADER ASSY., MOD II, .025 SQ. POSTS, SINGLE ROW, .100 CENTERS
FINISH POSTS: △	DSGN APPD OTHER APPD	SIZE CODE IDENT NO DRAWING NO C 00779 87465
		SCALE SHEET

CUSTOMER DRAWING