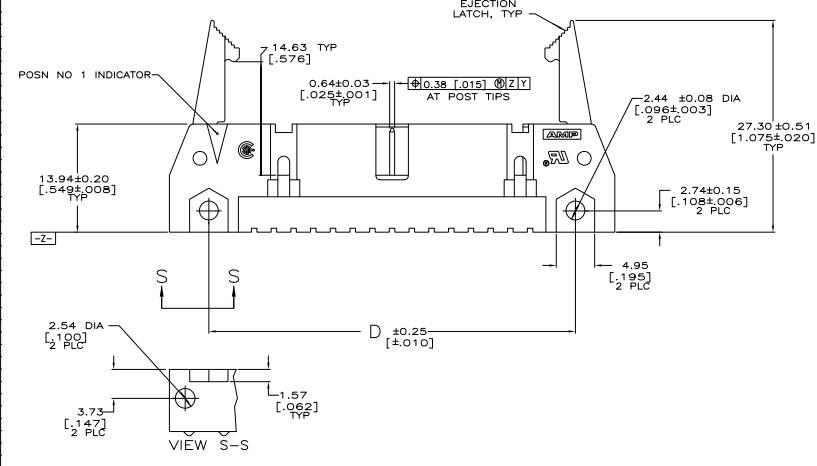
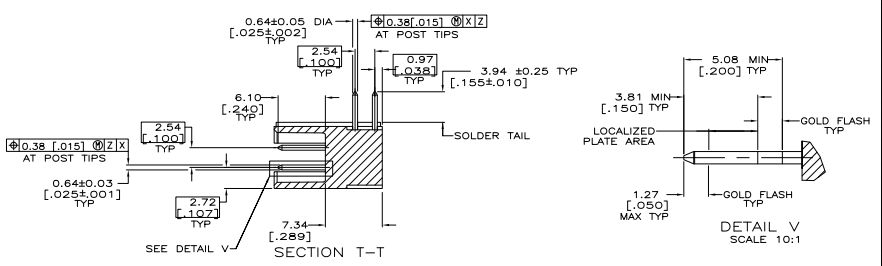
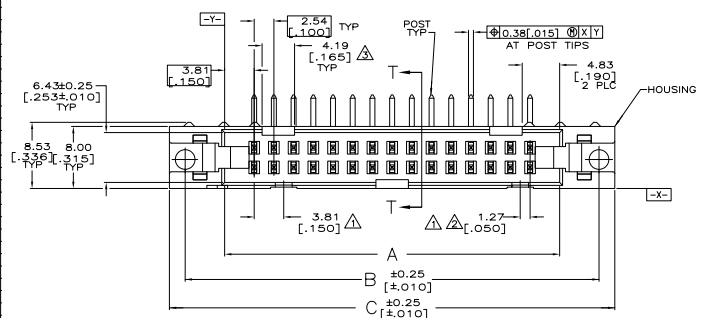


EJECTION LATCHES OMITTED IN THIS VIEW FOR CLARITY

- △ COORDINATE DIMENSION APPLIES FROM BASIC LOCATION.
- △ 10 AND 14 POSITION SIZES CONTAIN ONLY ONE SLOT FOR SNAP-IN POLARIZER (MILITARY POLARIZATION) LOCATED AS SHOWN.
- △ 10 POSITION SIZES CONTAIN ONLY ONE SLOT FOR DUAL POLARIZATION, LOCATED AS SHOWN.
- 4. RECOMMENDED PRINTED CIRCUIT BOARD THICKNESS IS 3.18[.125] DISTANCE REQUIRED BY EJECTION LATCHES IN THE OPEN POSITION.
- △ POSTS: GOLD FLASH OVER PALLADIUM-NICKEL PLATE, 0.76µm[.000030] MIN TOTAL ON THE LOCALIZED PLATE AREA, 2.54µm[.000100] MIN TIN-LEAD PLATE ON THE SOLDER-TAILS, 1.27µm[.000050] MIN NICKEL UNDERPLATE ON THE ENTIRE POST.
- △ 0.76µm[.000030] MIN GOLD PLATE ON THE LOCALIZED PLATE AREA, 2.54µm[.000100] MIN TIN-LEAD PLATE ON THE SOLDER-TAILS, 1.27µm[.000050] MIN NICKEL UNDERPLATE ON THE ENTIRE POST.



OBSOLETE	53.34	65.02	65.02	75.18	71.12	60.96	44	1-102322-3
	2.100	2.560	2.560	2.960	2.800	2.400		
OBSOLETE	78.74	90.42	90.42	100.58	96.52	86.36	64	1-102322-2
	3.100	3.560	3.560	3.960	3.800	3.400		
OBSOLETE	73.66	85.34	85.34	95.50	91.44	81.28	60	1-102322-1
	2.900	3.360	3.360	3.760	3.600	3.200		
OBSOLETE	60.96	72.64	72.64	82.80	78.74	68.58	50	1-102322-0
	2.400	2.860	2.860	3.260	3.100	2.700		
OBSOLETE	48.26	59.94	59.94	70.10	66.04	55.88	40	102322-9
	1.900	2.360	2.360	2.760	2.600	2.200		
OBSOLETE	40.64	52.32	52.32	62.48	58.42	48.26	34	102322-8
	1.600	2.060	2.060	2.460	2.300	1.900		
OBSOLETE	35.56	47.24	47.24	57.40	53.34	43.18	30	102322-7
	1.400	1.860	1.860	2.260	2.100	1.700		
	30.48	42.16	42.16	52.32	48.26	38.10	26	102322-6
	1.200	1.660	1.660	2.060	1.900	1.500		
OBSOLETE	27.94	39.62	39.62	49.78	45.72	35.56	24	102322-5
	1.100	1.560	1.560	1.960	1.800	1.400		
	22.86	34.54	34.54	44.70	40.64	30.48	20	102322-4
	1.000	1.360	1.360	1.760	1.600	1.200		
	17.78	29.46	29.46	39.62	35.56	25.40	16	102322-3
	1.000	1.160	1.160	1.560	1.400	1.000		
OBSOLETE	15.24	26.92	26.92	37.08	33.02	22.86	14	102322-2
	1.000	1.060	1.060	1.460	1.300	1.000		
	10.16	21.84	21.84	32.00	27.94	17.78	10	102322-1
	1.400	1.860	1.860	2.260	2.100	1.700		

F	E	D	C	B	A	NO OF POSN	PART NUMBER

THIS DRAWING IS A CONTROLLED DOCUMENT. © 2018 Tyco Electronics Corporation
 11-28-20
 108-40018
 100779G-102322
 CUSTOMER DRAWING