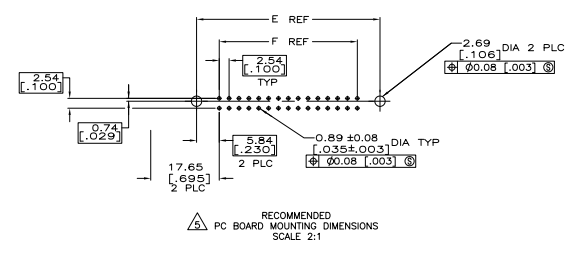
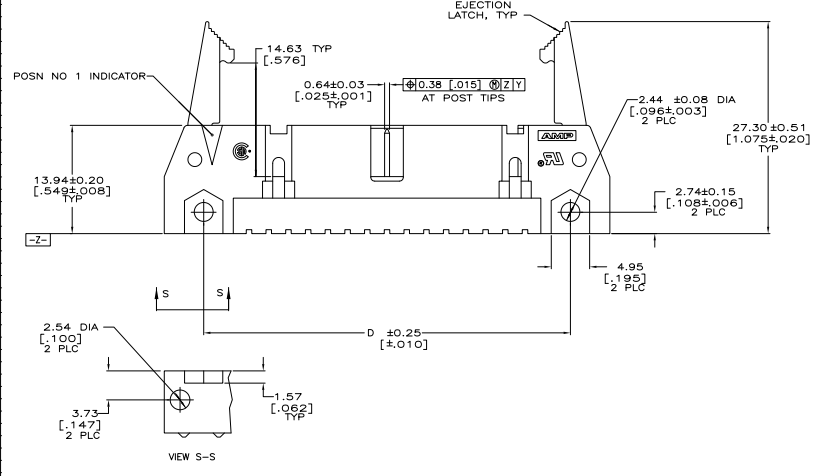
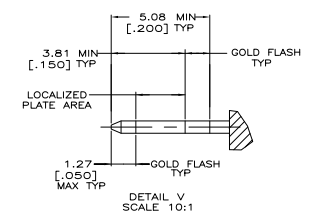
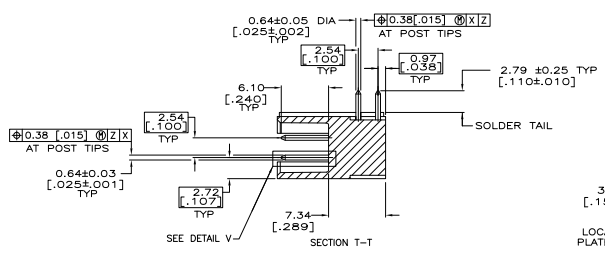
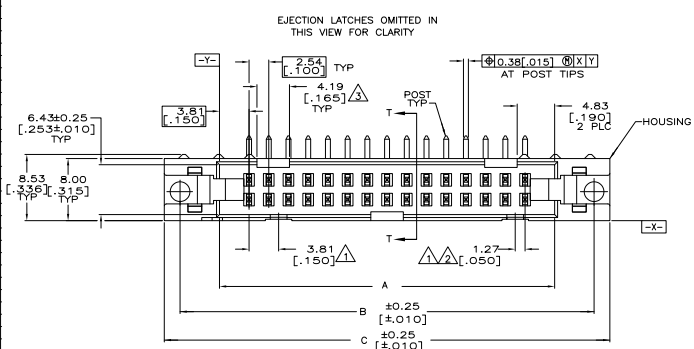


THIS DRAWING IS UNAPPROVED  
 REVISIONS FOR MODIFICATION  
 ALL RIGHTS RESERVED

REV	DATE	DESCRIPTION	BY	CHK	APP
00					
J1		REVISED PER ECO-11-004836			



THIS DRAWING IS A CONTROLLED DOCUMENT.		REV	DATE	DESCRIPTION	BY	CHK	APP
1	108-40018			HEADER ASSY, UNIVERSAL AMP-LATCH			
2	108-40018			HEADER ASSY, UNIVERSAL AMP-LATCH			
3	108-40018			HEADER ASSY, UNIVERSAL AMP-LATCH			
4	108-40018			HEADER ASSY, UNIVERSAL AMP-LATCH			
5	108-40018			HEADER ASSY, UNIVERSAL AMP-LATCH			
6	108-40018			HEADER ASSY, UNIVERSAL AMP-LATCH			
7	108-40018			HEADER ASSY, UNIVERSAL AMP-LATCH			
8	108-40018			HEADER ASSY, UNIVERSAL AMP-LATCH			
9	108-40018			HEADER ASSY, UNIVERSAL AMP-LATCH			
10	108-40018			HEADER ASSY, UNIVERSAL AMP-LATCH			
11	108-40018			HEADER ASSY, UNIVERSAL AMP-LATCH			
12	108-40018			HEADER ASSY, UNIVERSAL AMP-LATCH			
13	108-40018			HEADER ASSY, UNIVERSAL AMP-LATCH			
14	108-40018			HEADER ASSY, UNIVERSAL AMP-LATCH			
15	108-40018			HEADER ASSY, UNIVERSAL AMP-LATCH			
16	108-40018			HEADER ASSY, UNIVERSAL AMP-LATCH			
17	108-40018			HEADER ASSY, UNIVERSAL AMP-LATCH			
18	108-40018			HEADER ASSY, UNIVERSAL AMP-LATCH			
19	108-40018			HEADER ASSY, UNIVERSAL AMP-LATCH			
20	108-40018			HEADER ASSY, UNIVERSAL AMP-LATCH			
21	108-40018			HEADER ASSY, UNIVERSAL AMP-LATCH			
22	108-40018			HEADER ASSY, UNIVERSAL AMP-LATCH			
23	108-40018			HEADER ASSY, UNIVERSAL AMP-LATCH			
24	108-40018			HEADER ASSY, UNIVERSAL AMP-LATCH			
25	108-40018			HEADER ASSY, UNIVERSAL AMP-LATCH			
26	108-40018			HEADER ASSY, UNIVERSAL AMP-LATCH			
27	108-40018			HEADER ASSY, UNIVERSAL AMP-LATCH			
28	108-40018			HEADER ASSY, UNIVERSAL AMP-LATCH			
29	108-40018			HEADER ASSY, UNIVERSAL AMP-LATCH			
30	108-40018			HEADER ASSY, UNIVERSAL AMP-LATCH			
31	108-40018			HEADER ASSY, UNIVERSAL AMP-LATCH			
32	108-40018			HEADER ASSY, UNIVERSAL AMP-LATCH			
33	108-40018			HEADER ASSY, UNIVERSAL AMP-LATCH			
34	108-40018			HEADER ASSY, UNIVERSAL AMP-LATCH			
35	108-40018			HEADER ASSY, UNIVERSAL AMP-LATCH			
36	108-40018			HEADER ASSY, UNIVERSAL AMP-LATCH			
37	108-40018			HEADER ASSY, UNIVERSAL AMP-LATCH			
38	108-40018			HEADER ASSY, UNIVERSAL AMP-LATCH			
39	108-40018			HEADER ASSY, UNIVERSAL AMP-LATCH			
40	108-40018			HEADER ASSY, UNIVERSAL AMP-LATCH			
41	108-40018			HEADER ASSY, UNIVERSAL AMP-LATCH			
42	108-40018			HEADER ASSY, UNIVERSAL AMP-LATCH			
43	108-40018			HEADER ASSY, UNIVERSAL AMP-LATCH			
44	108-40018			HEADER ASSY, UNIVERSAL AMP-LATCH			
45	108-40018			HEADER ASSY, UNIVERSAL AMP-LATCH			
46	108-40018			HEADER ASSY, UNIVERSAL AMP-LATCH			
47	108-40018			HEADER ASSY, UNIVERSAL AMP-LATCH			
48	108-40018			HEADER ASSY, UNIVERSAL AMP-LATCH			
49	108-40018			HEADER ASSY, UNIVERSAL AMP-LATCH			
50	108-40018			HEADER ASSY, UNIVERSAL AMP-LATCH			
51	108-40018			HEADER ASSY, UNIVERSAL AMP-LATCH			
52	108-40018			HEADER ASSY, UNIVERSAL AMP-LATCH			
53	108-40018			HEADER ASSY, UNIVERSAL AMP-LATCH			
54	108-40018			HEADER ASSY, UNIVERSAL AMP-LATCH			
55	108-40018			HEADER ASSY, UNIVERSAL AMP-LATCH			
56	108-40018			HEADER ASSY, UNIVERSAL AMP-LATCH			
57	108-40018			HEADER ASSY, UNIVERSAL AMP-LATCH			
58	108-40018			HEADER ASSY, UNIVERSAL AMP-LATCH			
59	108-40018			HEADER ASSY, UNIVERSAL AMP-LATCH			
60	108-40018			HEADER ASSY, UNIVERSAL AMP-LATCH			
61	108-40018			HEADER ASSY, UNIVERSAL AMP-LATCH			
62	108-40018			HEADER ASSY, UNIVERSAL AMP-LATCH			
63	108-40018			HEADER ASSY, UNIVERSAL AMP-LATCH			
64	108-40018			HEADER ASSY, UNIVERSAL AMP-LATCH			
65	108-40018			HEADER ASSY, UNIVERSAL AMP-LATCH			
66	108-40018			HEADER ASSY, UNIVERSAL AMP-LATCH			
67	108-40018			HEADER ASSY, UNIVERSAL AMP-LATCH			
68	108-40018			HEADER ASSY, UNIVERSAL AMP-LATCH			
69	108-40018			HEADER ASSY, UNIVERSAL AMP-LATCH			
70	108-40018			HEADER ASSY, UNIVERSAL AMP-LATCH			
71	108-40018			HEADER ASSY, UNIVERSAL AMP-LATCH			
72	108-40018			HEADER ASSY, UNIVERSAL AMP-LATCH			
73	108-40018			HEADER ASSY, UNIVERSAL AMP-LATCH			
74	108-40018			HEADER ASSY, UNIVERSAL AMP-LATCH			
75	108-40018			HEADER ASSY, UNIVERSAL AMP-LATCH			
76	108-40018			HEADER ASSY, UNIVERSAL AMP-LATCH			
77	108-40018			HEADER ASSY, UNIVERSAL AMP-LATCH			
78	108-40018			HEADER ASSY, UNIVERSAL AMP-LATCH			
79	108-40018			HEADER ASSY, UNIVERSAL AMP-LATCH			
80	108-40018			HEADER ASSY, UNIVERSAL AMP-LATCH			
81	108-40018			HEADER ASSY, UNIVERSAL AMP-LATCH			
82	108-40018			HEADER ASSY, UNIVERSAL AMP-LATCH			
83	108-40018			HEADER ASSY, UNIVERSAL AMP-LATCH			
84	108-40018			HEADER ASSY, UNIVERSAL AMP-LATCH			
85	108-40018			HEADER ASSY, UNIVERSAL AMP-LATCH			
86	108-40018			HEADER ASSY, UNIVERSAL AMP-LATCH			
87	108-40018			HEADER ASSY, UNIVERSAL AMP-LATCH			
88	108-40018			HEADER ASSY, UNIVERSAL AMP-LATCH			
89	108-40018			HEADER ASSY, UNIVERSAL AMP-LATCH			
90	108-40018			HEADER ASSY, UNIVERSAL AMP-LATCH			
91	108-40018			HEADER ASSY, UNIVERSAL AMP-LATCH			
92	108-40018			HEADER ASSY, UNIVERSAL AMP-LATCH			
93	108-40018			HEADER ASSY, UNIVERSAL AMP-LATCH			
94	108-40018			HEADER ASSY, UNIVERSAL AMP-LATCH			
95	108-40018			HEADER ASSY, UNIVERSAL AMP-LATCH			
96	108-40018			HEADER ASSY, UNIVERSAL AMP-LATCH			
97	108-40018			HEADER ASSY, UNIVERSAL AMP-LATCH			
98	108-40018			HEADER ASSY, UNIVERSAL AMP-LATCH			
99	108-40018			HEADER ASSY, UNIVERSAL AMP-LATCH			
100	108-40018			HEADER ASSY, UNIVERSAL AMP-LATCH			

THIS DRAWING IS UNPUBLISHED  
 ALL RIGHTS RESERVED

REV	DATE	DESCRIPTION	BY	APP
GP 00		SEE SHEET 1		

- △ COORDINATE DIMENSION APPLIES FROM BASIC LOCATION.
- △ 10 AND 14 POSITION SIZES CONTAIN ONLY ONE SLOT FOR SNAP-IN POLARIZER (MILITARY POLARIZATION) LOCATED AS SHOWN.
- △ 10 POSITION SIZES CONTAIN ONLY ONE SLOT FOR DUAL POLARIZATION, LOCATED AS SHOWN.
- 4. RECOMMENDED PRINTED CIRCUIT BOARD THICKNESS IS 1.57 [062].
- △ DISTANCE REQUIRED BY EJECTION LATCHES IN THE OPEN POSITION.
- △ POSTS:  
 GOLD FLASH OVER PALLADIUM-NICKEL PLATE, 0.38µm [.000015] MIN TOTAL ON THE LOCALIZED PLATE AREA,  
 2.54µm [.000100] MIN TIN-LEAD PLATE ON THE SOLDER-TAIL,  
 1.27µm [.000050] MIN NICKEL UNDERPLATE ON THE ENTIRE POST.  
 OR  
 0.38µm [.000015] MIN GOLD PLATE ON THE LOCALIZED PLATE AREA,  
 2.54µm [.000100] MIN TIN-LEAD PLATE ON THE SOLDER-TAIL,  
 1.27µm [.000050] MIN NICKEL UNDERPLATE ON THE ENTIRE POST.
- △ MATERIAL:  
 HOUSING: GLASS FILLED NYLON OR POLYESTER, 94V-0 RATED, BLACK.  
 POSTS: BRASS.

	F	E	D	C	B	A	NO OF POSN	PART NUMBER
OBSOLETE	53.34	65.02	65.02	75.18	71.12	60.96	44	1-499786-3
	2.100	2.560	2.560	2.960	2.800	2.400		
	78.74	90.42	90.42	100.58	96.52	86.36	64	1-499786-2
	3.100	3.560	3.560	3.960	3.800	3.400		
	73.66	85.34	85.34	95.50	91.44	81.28	60	1-499786-1
	2.900	3.360	3.360	3.760	3.600	3.200		
	60.96	72.64	72.64	82.80	78.74	68.58	50	1-499786-0
	2.400	2.860	2.860	3.260	3.100	2.700		
	48.26	59.94	59.94	70.10	66.04	55.88	40	499786-9
	1.900	2.360	2.360	2.760	2.600	2.200		
	40.64	52.32	52.32	62.48	58.42	48.26	34	499786-8
	1.600	2.060	2.060	2.460	2.300	1.900		
OBSOLETE	35.56	47.24	47.24	57.40	53.34	43.18	30	499786-7
	1.400	1.860	1.860	2.260	2.100	1.700		
	30.48	42.16	42.16	52.32	48.26	38.10	26	499786-6
	1.200	1.660	1.660	2.060	1.900	1.500		
	27.94	39.62	39.62	49.78	45.72	35.56	24	499786-5
	1.100	1.560	1.560	1.960	1.800	1.400		
	22.86	34.54	34.54	44.70	40.64	30.48	20	499786-4
	0.900	1.360	1.360	1.760	1.600	1.200		
OBSOLETE	17.78	29.46	29.46	39.62	35.56	25.40	16	499786-3
	0.700	1.160	1.160	1.560	1.400	1.000		
	15.24	26.92	26.92	37.08	33.02	22.86	14	499786-2
	0.600	1.060	1.060	1.460	1.300	0.900		
	10.16	21.84	21.84	32.00	27.94	17.78	10	499786-1
	0.400	0.860	0.860	1.260	1.100	0.700		

THIS DRAWING IS A CONTROLLED DOCUMENT. DATE: 11-28-82

TE Connectivity

PROJECT: 108-40018

DESCRIPTION: HEADER ASSY, UNIVERSAL AMP-LATCH

REV: A | DATE: 00779 | DRAWING NO: 499786

CUSTOMER DRAWING