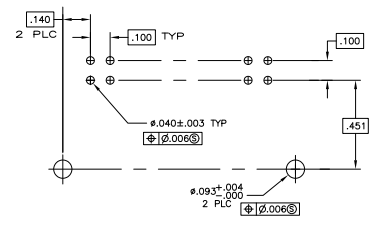
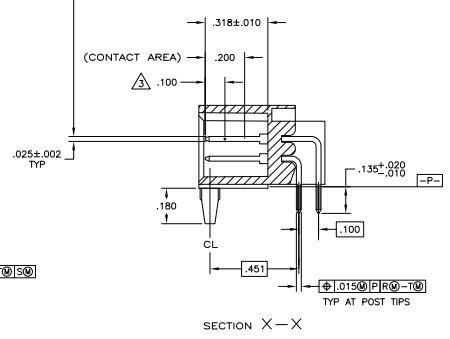
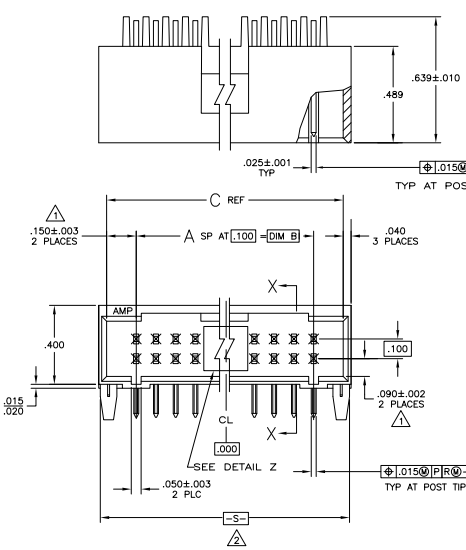
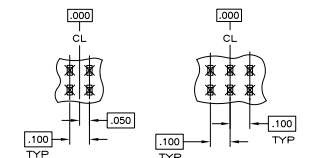
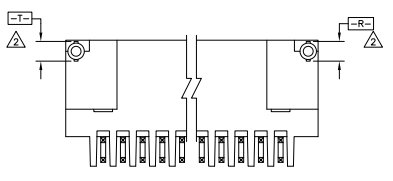


REV	DATE	DESCRIPTION	BY	CHK	APP
AD	00				
H2		REVISED PER EDD-11-004917			

- △ THE NOTED DIMENSIONS APPLY AT THE INTERSECTION OF THE POST AND HOUSING
- △ THE NOTED DIMENSIONS APPLY AT THE INTERSECTION WITH DATUM \overline{P}
- △ POINT OF MEASUREMENT FOR PLATING THICKNESS
- △ POSTS: .000015 GOLD IN CONTACT AREA .000100-.000200 MATTE TIN-LEAD ON SOLDER TAIL, ALL OVER .000050 NICKEL
- △ POSTS: .000015 GOLD IN CONTACT AREA .000100-.000200 MATTE TIN ON SOLDER TAIL, ALL OVER .000050 NICKEL
- △ OBSOLETE PARTS: OBSOLETE CIS STREAMLINING PER D.RENAUD/D.SINISI



RECOMMENDED HOLE LAYOUT



BASIC DIMENSION FOR ODD NO. OF SPACES (SEE TABLE)
 BASIC DIMENSION FOR EVEN NO. OF SPACES (SEE TABLE)

DETAIL Z

△ OBSOLETE	△	23	2.600	2.300	23	48	5-104319-9
△	△	5	.800	.500	5	12	5-104319-8
△	△	4	.700	.400	4	10	5-104319-7
△ OBSOLETE	△	16	1.900	1.600	16	34	5-104319-6
△	△	6	.900	.600	6	14	5-104319-5
△	△	19	2.200	1.900	19	40	5-104319-4
△	△	14	1.700	1.400	14	30	5-104319-3
△	△	9	1.200	.900	9	20	5-104319-2
△	△	7	1.000	.700	7	16	5-104319-1
△ OBSOLETE	△	23	2.600	2.300	23	48	104319-9
△	△	5	.800	.500	5	12	104319-8
△	△	4	.700	.400	4	10	104319-7
△	△	16	1.900	1.600	16	34	104319-6
△	△	6	.900	.600	6	14	104319-5
△	△	19	2.200	1.900	19	40	104319-4
△	△	14	1.700	1.400	14	30	104319-3
△	△	9	1.200	.900	9	20	104319-2
△	△	7	1.000	.700	7	16	104319-1

△ SUPERCEDED BY 5-104319-7

PLATING	NO OF SPACES	C	B	A	NO OF POSN	ASSEMBLY PART NUMBER

THIS DRAWING IS A CONTROLLED DOCUMENT. DATE: 10-10-97

TE Connectivity

PROJECT NAME: HDR ASSY, MOD II, SHROUDED, 4 SIDES, DEL ROW, 100K 100 Ω, FRONT ANGLE, W/ .020 50 POSTS

DATE: 10-10-97

REV: 1

REVISED TO: 104319

CUSTOMER DRAWING