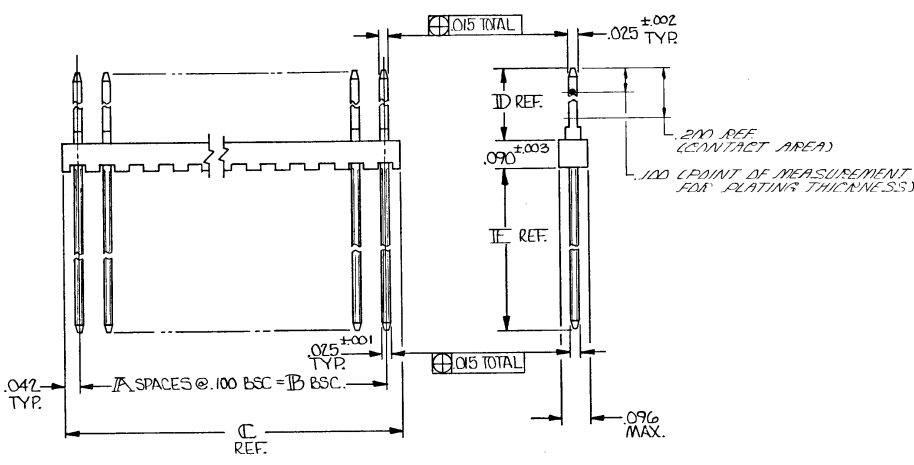


DRAWING MADE IN THIRD ANGLE PROJECTION
 © COPYRIGHT 1975 BY AMP INCORPORATED, HARRISBURG, PA.
 ALL INTERNATIONAL RIGHTS RESERVED. AMP DESIGNATED PRODUCTS
 COVERED BY U. S. AND FOREIGN PATENTS AND/OR PATENTS PENDING.

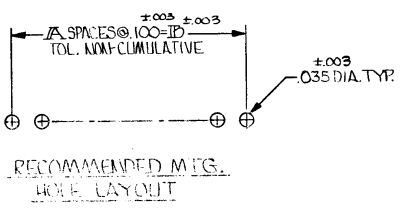


- 1. .000030 GOLD ON CONTACT AREA, GOLD FLASH ON SOLDER AREA, ALL OVER .000050 NICKEL.
- 2. TRUE POSITION TOLERANCE OF POST TIPS APPLIES WHEN HEADS ARE HELD FLAT AGAINST PRINTED CIRCUIT BOARD.
- △ OBSOLETE PART NUMBER
- △ OBSOLETE PARTS: OBSOLETE CIS STREAMLINING PER D.RENAUD/D.SINISI

REVISIONS						
P	F	ZONE	LTR	DESCRIPTION	DATE	APPROVED
			O			
			A	REVISIONS TO STREAMLINING PER D.RENAUD	10-28-75	AF
			B	REV PER ECO 2583	11-18-75	AF
			C	REV W/O. S. DIST AD-4171	1-27-78	BF
			D	REV PER AD-4846	10-31-90	AF
			E	REV PER AD-5159	1-16-91	RF
			F	REV PER 0010-1352-93	1-20-94	HL
			G	EC. 0010-1359-93	1-1-94	AF
G1 REV PER ECO-10-000445					JAN10	AEG

154	318	3.984	3.900	39	△	40	4-87527-0
3.884	3.800	38	39	3-△	-9		
3.784	3.700	37	38	3-△	-8		
3.684	3.600	36	37	3-△	-7		
3.584	3.500	35	36	3-△	-6		
3.484	3.400	34	35	3-△	-5		
3.384	3.300	33	34	3-△	-4		
3.284	3.200	32	33	3-△	-3		
3.184	3.100	31	32	3-△	-2		
3.084	3.000	30	31	3-△	-1		
2.984	2.900	29	30	3-△	-0		
2.884	2.800	28	29	2-△	-9		
2.784	2.700	27	28	2-△	-8		
2.684	2.600	26	27	2-△	-7		
2.584	2.500	25	26	2-△	-6		
2.484	2.400	24	25	2-△	-5		
2.384	2.300	23	24	2-△	-4		
2.284	2.200	22	23	2-△	-3		
2.184	2.100	21	22	2-△	-2		
2.084	2.000	20	21	2-△	-1		
1.984	1.900	19	20	2-△	-0		
1.884	1.800	18	19	1-△	-9		
1.784	1.700	17	18	1-△	-8		
1.684	1.600	16	17	1-△	-7		
1.584	1.500	15	16	1-△	-6		
1.484	1.400	14	15	1-△	-5		
1.384	1.300	13	14	1-△	-4		
1.284	1.200	12	13	1-△	-3		
1.184	1.100	11	12	1-△	-2		
1.084	1.000	10	11	1-△	-1		
.984	.900	9	10	1-△	-0		
.884	.800	8	9	1-△	-9		
.784	.700	7	8	1-△	-8		
.684	.600	6	7	1-△	-7		
.584	.500	5	6	1-△	-6		
.484	.400	4	5	1-△	-5		
.384	.300	3	4	1-△	-4		
.284	.200	2	3	1-△	-3		
.184	.100	1	2	1-△	-2		
.084	.000	0	1	1-△	-1		
154	318	.084				1	87527-1

OBSOLETE
 △



UNLESS OTHERWISE SPECIFIED DIMENSIONS ARE IN INCHES. TOLERANCES ON: DECIMALS ±.005 ANGLES ±.005		CONTRACT NO	AMP INCORPORATED Harrisburg, Pa	
MATERIAL HOUSINGS: GLASS FILLED NYLON COLOR: BLACK POST: P105 BRONZE		DR: <i>B. H. H.</i> 8-6-75	NAME: HEADER ASSY, MOD II, .025 SQ. POSTS, .100 & SINGLE ROW	
FINISH: SEE TABLE		CHK: <i>W. W. W.</i> 8-7-75	NO. OF POSTS: 1	
		APPD: <i>E. J. J.</i> 8-7-75	PART NO: 87527-1	
		DSGN: <i>A. P. P.</i> 8-7-75	REV: G1	
		OTHER: _____	DRAWING NO: 87527	
			SIZE: C CODE IDENT NO: 00779	

CUSTOMER DRAWING