

4

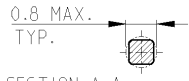
3

2

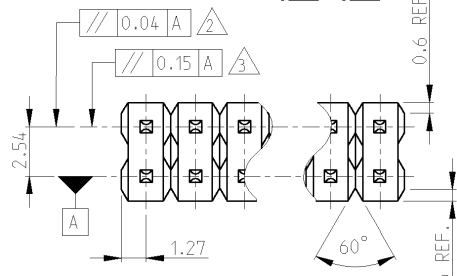
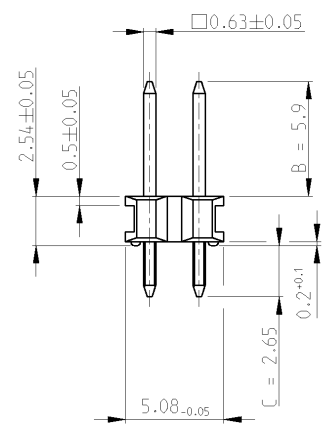
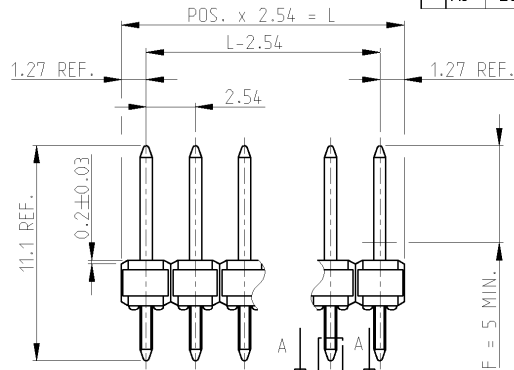
1

RELEASED FOR PUBLICATION
 BY TYCO ELECTRONICS CORPORATION, ALL RIGHTS RESERVED.

POS PER ROW	L	+0.3 -0.6	PART - NO.	POS. PER ROW	L	+0.3 -0.6	PART - NO.
-	-	-	-	26	66.04	-	2-828 430-6
2	5.08		828 430-2	27	68.58	-	-7
3	7.62		-3	28	71.12	2-	-8
4	10.16		-4	29	73.66	2-	-9
5	12.70		-5	30	76.20	3-	-0
6	15.24		-6	31	78.74	3-	-1
7	17.78		-7	32	81.28	3-	-2
8	20.32		-8	33	83.82	3-	-3
9	22.86		-9	34	86.36	3-	-4
10	25.40		-0	35	88.90	3-	-5
11	27.94		-1	36	91.44	4-	-6
12	30.48		-2	37	93.98	4-	-7
13	33.02		-3	38	96.52	4-	-8
14	35.56		-4	39	99.06	4-	-9
15	38.10		-5	40	101.60	4-	-0
16	40.64		-6	41	104.14	4-	-1
17	43.18		-7	42	106.68	4-	-2
18	45.72		-8	43	109.22	4-	-3
19	48.26		-9	44	111.76	4-	-4
20	50.80		-0	45	114.30	4-	-5
21	53.34		-1	46	116.84	4-	-6
22	55.88		-2	47	119.38	4-	-7
23	58.42		-3	48	121.92	4-	-8
24	60.96		-4	49	124.46	4-	-9
25	63.50		-5	50	127.00	5-	-0



SECTION A-A
10:1

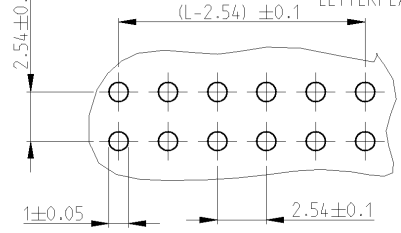


- 1 0.8 μm GOLD AT AREA F OVER 1.27 μm NICKEL AT AREA B MIN. 3 μm TIN OVER 1.27 μm NICKEL AT AREA C
- 2 FROM -2 TILL 3- -6
- 3 FROM 3- -7 TILL 5- -0

OBSELETE PARTS: OBSELETE CIS STREAMLINING PER D.RENAUD/D.SINISI

OBSELETE

PC BOARD LAYOUT
LEITERPLATTENANSCHLUSSBILD



1	Cu Sn	CONTACT PIN KONTAKTSTIFT
COLOUR GREEN	PBT GV	PINHOUSING STIFTGEHAUSE
REMARK BEMERKUNG	MATERIAL	DESCRIPTION BEZEICHNUNG

DIMENSIONS: mm		TOLERANCES UNLESS OTHERWISE SPECIFIED:		DWN 27MRZ1986		tyco Electronics AMP GmbH	
0 PLC ±0.1		1 PLC ±0.1		CHK A.HQ 02APR1986		D - 67346 Speyer	
2 PLC ±0.1		3 PLC ±0.1		DRW M.SCHAARSCHMIDT		AMPMODU II	
4 PLC ±0.1		ANGLES ±2°		PRODUCT SPEC 108-18012		PINHEADER DUAL ROW	
MATERIAL -		FINISH -		APPLICATION SPEC		STIFTLISTE ZWEIREIHIG	
WEIGHT -		SIZE A3		CAGE CODE 00779		DRAWING NO C-828430	
CUSTOMER DRAWING		SCALE 5:1		SHEET 1 OF 1		REV A3	

AMP 1470-19 REV 31MAR2000