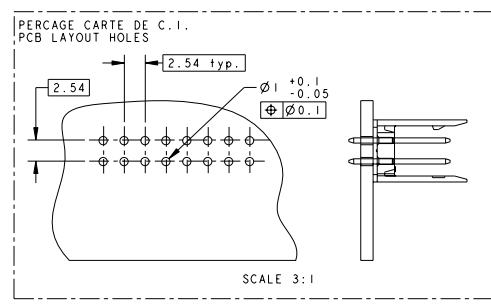
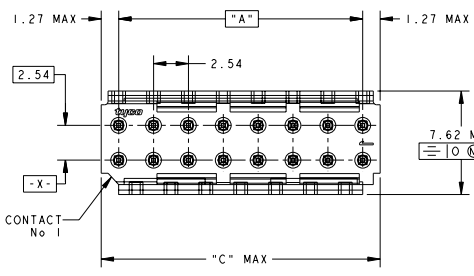
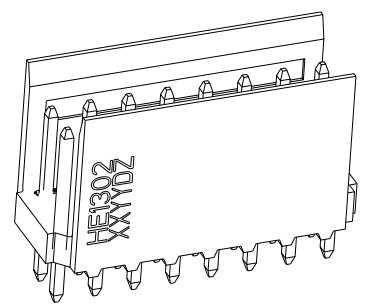
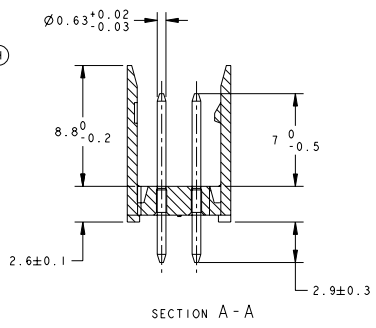
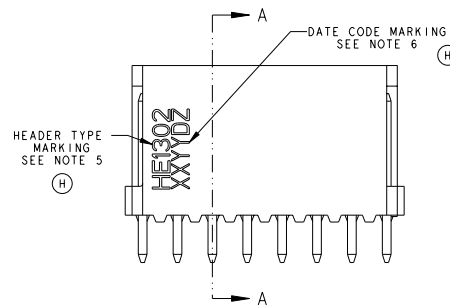


LOC F DIST 7

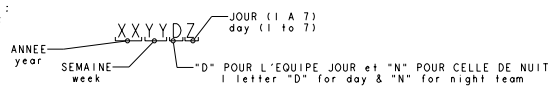
REVISIONS				
P	LYN	DESCRIPTION	DATE	OWN APP. DESIG.
E		MODIFIE NOTE 3	17MAR2004	J. D. Y. P.
F		CLARIF. TABLE	02APR2004	TC Y.P.
G		MATERIAL	09MAY2006	J. D. Y. P.
H		NOTES 5, 6 ADDED	19DEC2008	GM PEG



50.80	48.26	2x 20	2-281740-0
45.72	43.18	2x 18	1-281740-8 *
43.18	40.64	2x 17	1-281740-7
38.10	35.56	2x 15	1-281740-5 *
33.02	30.48	2x 13	1-281740-3
30.48	27.94	2x 12	1-281740-2 *
25.40	22.86	2x 10	1-281740-0 *
20.32	17.78	2x 8	0-281740-8 *
15.24	12.70	2x 6	0-281740-6 *
12.70	10.16	2x 5	0-281740-5 *
10.16	7.62	2x 4	0-281740-4 *
7.62	5.08	2x 3	0-281740-3 *
5.08	2.54	2x 2	0-281740-2 *

C	A	Nb DE POS	PART NUMBER
50.80	48.26	2x 20	2-281740-0
45.72	43.18	2x 18	1-281740-8 *
43.18	40.64	2x 17	1-281740-7
38.10	35.56	2x 15	1-281740-5 *
33.02	30.48	2x 13	1-281740-3
30.48	27.94	2x 12	1-281740-2 *
25.40	22.86	2x 10	1-281740-0 *
20.32	17.78	2x 8	0-281740-8 *
15.24	12.70	2x 6	0-281740-6 *
12.70	10.16	2x 5	0-281740-5 *
10.16	7.62	2x 4	0-281740-4 *
7.62	5.08	2x 3	0-281740-3 *
5.08	2.54	2x 2	0-281740-2 *

- NOTES:
- CES EMBASES SONT PREVUES POUR ETRE ACCOUPLEES AVEC LES FICHES "HE1402" DOUBLE RANGEE. (These headers are designed to be mated with "HE1402" connectors double row)
 - LES REFERENCES SUIVIES D'UN * SONT LES VERSIONS NORMALISEES SELON LA NORME CEI 603-8 (The parts numbers followed by * are covered by the international standard IEC 603-8)
 - REVETEMENT DES CONTACTS: ETAIN PUR SUR NICKEL (Contacts plating: lead free tin over nickel)
 - MATIERE PLASTIQUE: THERMO-PLASTIQUE HAUTE TEMPERATURE, UL-94V0, COULEUR BLEUE (Plastic material: High temperature thermoplastic, UL-94V0, Blue color)
MATIERE DES CONTACTS: BRONZE PHOSPHOREUX (Contacts material: phosphor bronze)
 - MARQUAGE DU TYPE D'EMBASE (HE1402) A L'ENCRE NOIRE (header type marking (HE1402) with black ink)
 - MARQUAGE DE LA DATE A L'ENCRE NOIRE : (date code marking with black ink) :



DIMENSIONS: mm TOLERANCES NON SPECIFIEES 1. DIMENSIONS DE DEVIATION 2. PLS PREC: 0.3 3. PLS PREC: 0.2 4. PLS PREC: 0.1 ANGLES: 45°		DATE PRESSE: 22 NOV 2000 C. COMBES 22 NOV 2000 DE TRONIN 10815053 APPLICATION SPEC SPEC. APPLICATION REQUIS: - BASEE APPROV. -	AMP DE FRANCE 95301 PONTOISE HEADERS HE13, DOUBLE ROW, STRAIGHT SIZE FORM: A2 CASE CODE: 00779 DRAWING NO: 281740 UNIFORMITY SCALE: 5:1 SHEET: 1 OF 1 REV: H
--	--	---	---