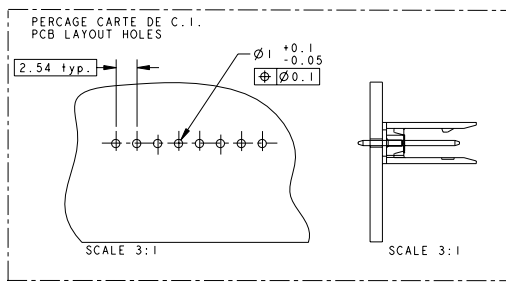
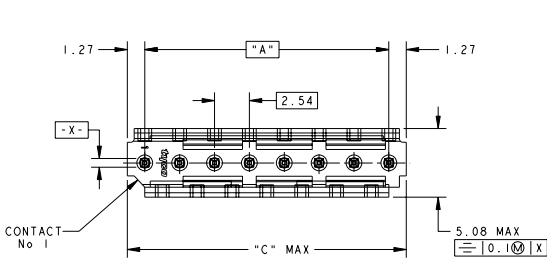
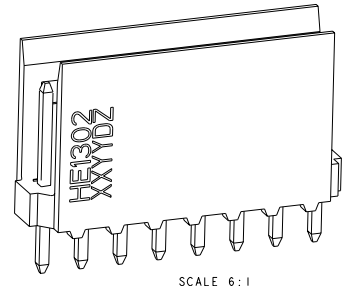
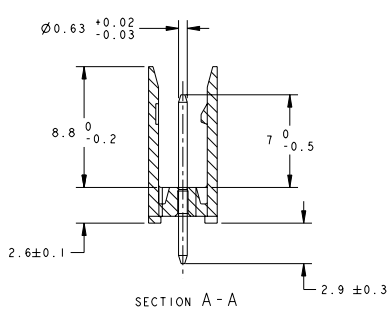
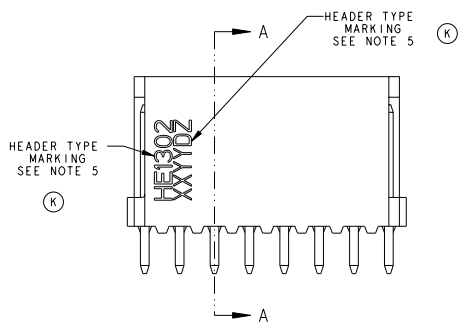
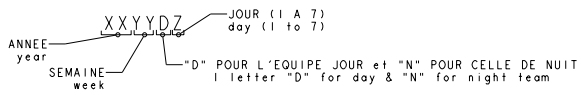


REVISONS		DATE	OWN	APPROV
P	LYN	DESCRIPTION	MODIFICATIONS	
H		MODIFIE NOTE 3	17MAR2004	J. D. Y. P.
J		MATERIAL	09MAY2006	J. D. Y. P.
K		NOTES 5, 6 ADDED	19DEC2008	GW PEG



45.72	43.18	18	1-281696-8 *
43.18	40.64	17	1-281696-7
38.10	35.56	15	1-281696-5 *
30.48	27.94	12	1-281696-2 *
25.40	22.86	10	1-281696-0 *
20.32	17.78	8	0-281696-8 *
17.78	15.24	7	0-281696-7
15.24	12.70	6	0-281696-6 *
12.70	10.16	5	0-281696-5 *
10.16	7.62	4	0-281696-4 *
7.62	5.08	3	0-281696-3 *
5.08	2.54	2	0-281696-2
C	A	Nb DE POS	PART NUMBER
DIMENSIONS			

- NOTES:
- CES EMBASES SONT PREVUES POUR ETRE ACCOUPLEES AVEC LES FICHES "HE1402" SIMPLE RANGEE. (These headers are designed to be mated with "HE1402" connectors single row)
 - LES REFERENCES SUIVIES D'UN * SONT LES VERSIONS NORMALISEES SELON LA NORME CEI 603-8 (The parts numbers followed by * are covered by the international standard IEC 603-8)
 - REVETEMENT DES CONTACTS: ETAIN PUR SUR NICKEL (Contacts plating: lead free tin over nickel)
 - MATIERE PLASTIQUE: TERMO-PLASTIQUE HAUTE TEMPERATURE, UL-94V0, COULEUR BLEUE (Plastic material: High temperature thermoplastic, UL-94V0, Blue color)
MATIERE DES CONTACTS: BRONZE PHOSPHOREUX (Contacts material: phosphor bronze)
 - MARQUAGE DU TYPE D'EMBASE (HE1302) A L'ENCRE NOIRE (type marking (HE1302) with black ink)
 - MARQUAGE DE LA DATE A L'ENCRE NOIRE : (date code marking with black ink)



DIMENSIONS: mm TOLERANCES NON SPECIFIEES: 0.25 (0.010) DE NORMALES 1 PLC PREC: 0.3 2 PLC PREC: 0.2 3 PLC PREC: 0.1 ANGLE: 45° FINISH/PROFILURE: SEE /VOIR NOTE 3		DOW/PRESSURE: 22 NOV 2000 C. COMBES/00720 CDR /REV: 1 APPROUVE/REV: 22 NOV 2000 DE TRONIN 108 15053 APPLICATION SPEC: - SPEC. APPLICATION: - REQUISIT: - BASEE APPROX: - CUSTOMER DRAWING /PLAN CLIENT	NAME: TITRE: HEADERS HE13, SINGLE ROW, STRAIGHT SIZE: A2 CASE CODE: 00779 DRAWING NO: 281696 SHEET: 5 OF: 1 REV: K
--	--	--	--