

ENG. NO.	ORDER NO.	PIN PLATING	HSC. MATERIAL
A-5219-09B	I5-31-1096	TIN	94V-2 NYLON
A-5219-09B-201	PRELIMINARY	TIN	94V-0 NYLON
A-5219-09BG	PRELIMINARY	GOLD	94V-2 NYLON
A-5219-09BG-201	PRELIMINARY	GOLD	94V-0 NYLON

HOUSING MATERIAL:

- 1 - NYLON TYPE 66, 94V-2, NATURAL
- 2 - NYLON TYPE 66, 94V-0, NATURAL

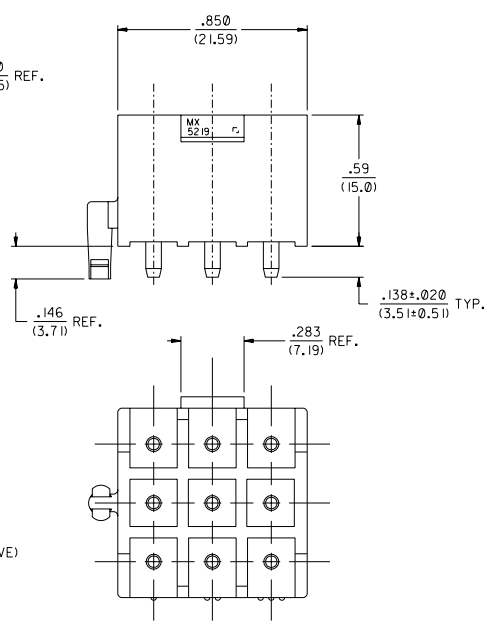
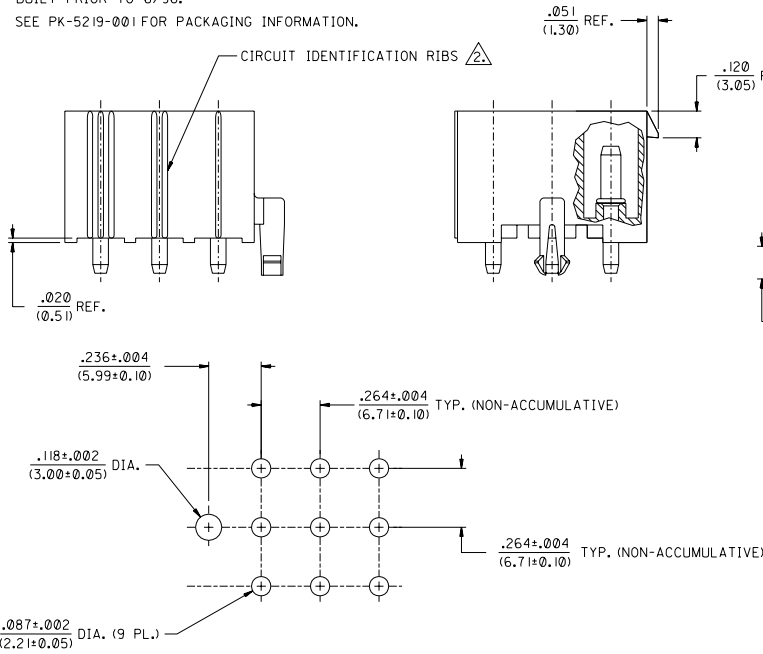
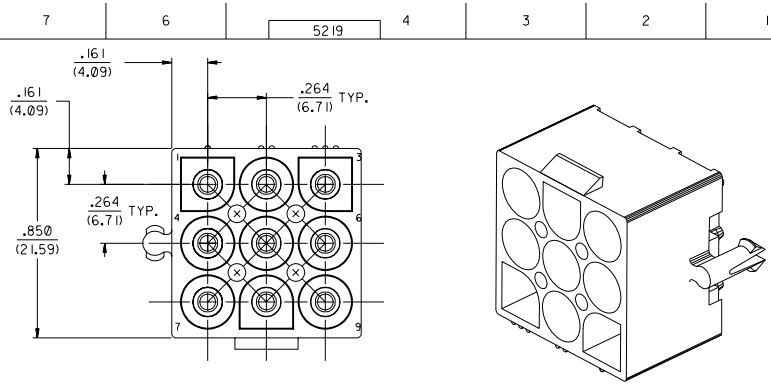
PIN MATERIAL: C27000 BRASS

PIN PLATING:

- 1 - POST PLATE .000120/(0.00305) MIN. TIN OVER .000040/(0.0010) MIN. NICKEL
- 2 - POST PLATE .000014/(0.00035) MIN. GOLD OVER .000080/(0.00200) MIN. NICKEL

NOTES:

- THESE HEADERS ARE FOR USE ON .062/(1.57) THICK P.C. BOARDS AND MATE WITH 3191-9 SERIES RECEPTACLES.
- CIRCUIT I.D. RIBS NOT PRESENT ON PARTS FROM TOOLS BUILT PRIOR TO 6/96.
- SEE PK-5219-001 FOR PACKAGING INFORMATION.



RECOMMENDED P.C. BOARD LAYOUT

REV.	DESCRIPTION
C1	ADD PACK'G (NOTE 3) LCP2003-2012 03/25/2003 ELHAG
C	REDRAWN ON CAD PER ECN #161470 05/23/96 CM

DIMENSIONS SHOWN (METRIC) INCH		MFG. SH. REV. LTR. REVISIONS	
TOLERANCES UNLESS SPECIFIED		REVISE ONLY ON CAD SYSTEM	
TOLERANCES ANGULAR ± 1/2°		TITLE	
INCH METRIC		.093/(2.36) SERIES	
3 PLACE ± .010 ---		9 CIRCUIT HEADER ASSEMBLY	
2 PLACE ± .014 ± 0.25		MOLEX INCORPORATED SHEET NO. DATE	
1 PLACE --- ± 0.35		U.S.A. 1 OF 1 05/23/96	
DRAFT WHERE APPLICABLE MUST REMAIN WITHIN DIMENSIONS		PART NO. DRWG. NO.	
DRG. BY: CM DRW. BY: RW		SEE CHART SDA-5219-09**	
APP'D: RAS SCALE 3:1		FILE NAME: SDA5219.DWG.	
		NO DIMENSIONS CONTAINING INFORMATION SHALL BE PROPRIETARY TO MOLEX INC. AND SHOULD NOT BE USED WITHOUT WRITTEN PERMISSION. CP C	