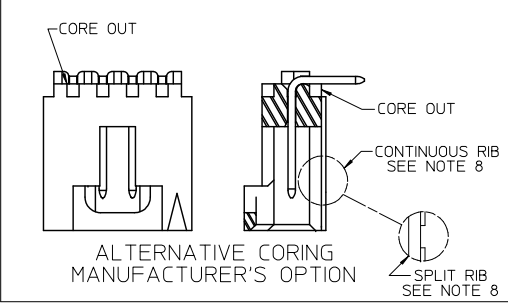
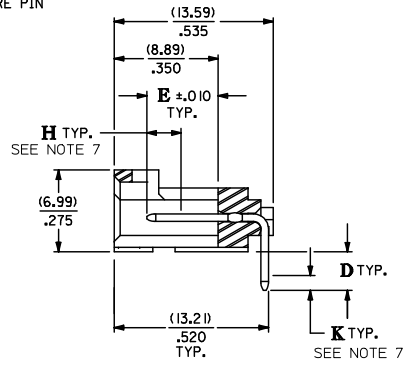
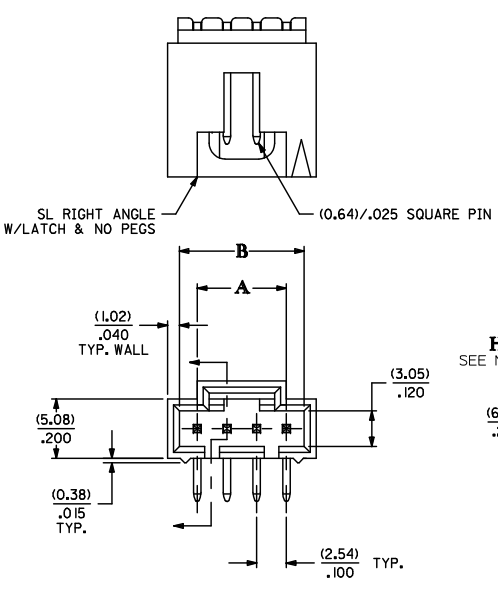
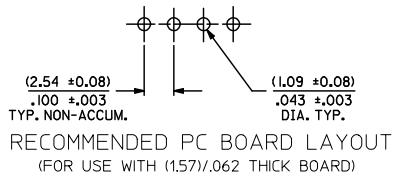
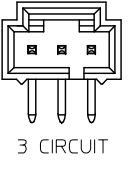
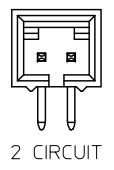


13 12 11 10 9 8 7 6 5 4 3 2 1



| CKT. SIZE | DIM. "A" | | DIM. "B" | |
|-----------|----------|-------|----------|-------|
| | MM | IN. | MM | IN. |
| 2 | 2.54 | .100 | 5.33 | .210 |
| 3 | 5.08 | .200 | 8.13 | .320 |
| 4 | 7.62 | .300 | 10.67 | .420 |
| 5 | 10.16 | .400 | 13.21 | .520 |
| 6 | 12.70 | .500 | 15.75 | .620 |
| 7 | 15.24 | .600 | 18.29 | .720 |
| 8 | 17.78 | .700 | 20.83 | .820 |
| 9 | 20.32 | .800 | 23.37 | .920 |
| 10 | 22.86 | .900 | 25.91 | 1.020 |
| 11 | 25.40 | 1.000 | 28.45 | 1.120 |
| 12 | 27.94 | 1.100 | 30.99 | 1.220 |
| 13 | 30.48 | 1.200 | 33.53 | 1.320 |
| 14 | 33.02 | 1.300 | 36.07 | 1.420 |
| 15 | 35.56 | 1.400 | 38.61 | 1.520 |
| 16 | 38.10 | 1.500 | 41.15 | 1.620 |
| 17 | 40.64 | 1.600 | 43.69 | 1.720 |
| 18 | 43.18 | 1.700 | 46.23 | 1.820 |
| 19 | 45.72 | 1.800 | 48.77 | 1.920 |
| 20 | 48.26 | 1.900 | 51.31 | 2.020 |
| 21 | 50.80 | 2.000 | 53.85 | 2.120 |
| 22 | 53.34 | 2.100 | 56.39 | 2.220 |
| 23 | 55.88 | 2.200 | 58.93 | 2.320 |
| 24 | 58.42 | 2.300 | 61.47 | 2.420 |
| 25 | 60.96 | 2.400 | 64.01 | 2.520 |



- NOTES:
1. HEADER MATERIAL: GLASS FILLED POLYESTER, UL 94V-0, COLOR: BLACK
PIN MATERIAL: PHOSPHOR BRONZE
 2. FINISH:
TIN: 3.81 MICROMETERS/150 MICROINCHES MINIMUM TIN PLATE OVERALL OVER NICKEL UNDERPLATE OVERALL
15 GOLD: 0.38 MICROMETERS/15 MICROINCHES MINIMUM GOLD PLATE IN CONTACT AREA OVER NICKEL UNDERPLATE OVERALL
191 MICROMETERS/75 MICROINCHES MINIMUM TIN PLATE IN TAIL AREA OVER NICKEL UNDERPLATE OVERALL
30 GOLD: 0.76 MICROMETERS/30 MICROINCHES MINIMUM GOLD PLATE IN CONTACT AREA OVER NICKEL UNDERPLATE OVERALL
191 MICROMETERS/75 MICROINCHES MINIMUM TIN PLATE IN TAIL AREA OVER NICKEL UNDERPLATE OVERALL
 3. HEADER TO BE USED WITH OPTION 'G' 70400 AND 70430 SERIES SL CONNECTORS
 4. REFER TO MOLEX PRODUCT SPECIFICATION PS-70541 & PS-70400
 5. STANDARD PACKAGING IN TUBES PER PK-70873-0015 OR OPTIONAL PACKAGING IN BAGS PER PK-70873-0535. OPTIONAL PACK NOT AVAILABLE FOR ALL CKT SIZES.
 6. DIMENSIONS WITHOUT TOLERANCE ARE SHOWN FOR REFERENCE ONLY.
 7. MEASURE POINT FOR PLATING THICKNESS
 8. ALTERNATIVE RIB, MAY BE SPLIT OR CONTINUOUS. EITHER OPTION DOES NOT IMPACT FUNCTION OF THE ASSEMBLY.

| | | | | | | | | |
|--|--------------------------------------|---------------------------------------|------|-----------------|------------|---|--------------|------------------------|
| ADD RIB NOTE 8 EC NO. UCP2010-0787 DRAWN: SBARRA 2009/09/24 CHK: DINGJIAN 2009/10/02 APP: SHILLER 2009/10/05 | QUALITY SYMBOLS ▽=0 ▽=0 ▽=0 | GENERAL TOLERANCES (UNLESS SPECIFIED) | | DIMENSION STYLE | | SCALE | DESIGN UNITS | THIRD ANGLE PROJECTION |
| | | mm | INCH | MM/IN | MM/IN | 4:1 | INCH | |
| | | 4 PLACES ±.005 ±.005 | | DRAWN BY | DATE | TITLE | | |
| | | 3 PLACES ±.013 ±.010 | | AAB | 1993/05/13 | SALES ASSY, SL RIGHT ANGLE HDR W/LATCH (2.54)/.100 CENTERS | | |
| | | 2 PLACES ±0.25 ±.005 | | CHECKED BY | DATE | MATERIAL NO. DOCUMENT NO. SHEET NO. | | |
| | | 1 PLACE ±0.25 ±.005 | | AAB | 1993/05/13 | SDA-70553-**** 1 OF 3 | | |
| | | ANGULAR ±1/2° | | APPROVED BY | DATE | THIS DRAWING CONTAINS INFORMATION THAT IS PROPRIETARY TO MOLEX INCORPORATED AND SHOULD NOT BE USED WITHOUT WRITTEN PERMISSION | | |
| | | | | WAZ | 1993/05/13 | | | |
| | | | | | | | | |

12 11 10 9 8 7 6 5 4 3 2 1

| | | 13 | 12 | 11 | 10 | 9 | 8 | 7 | 6 | 5 | 4 | 3 | 2 | 1 | | |
|--------------|-------------------------------|----------------------------------|------|----|------------|------|---|----------------|----------------|--------------|-----------------------|----------------|------------------------|-----|---|------------------|
| CIRCUIT SIZE | ENGINEERING NUMBER A-70553 | MANUFACTURE RELEASE STATUS | | | | | | D REF. | E ± .010 | PLATING TYPE | CONNECTOR END PLATING | | P.C. BOARD END PLATING | | SEE PACK INFORMA. DRAWING PK-70873 | |
| | | | TYPE | | H MEAS. | TYPE | | | | | K MEAS. | | | | | |
| 2-10 | -0001-0009 | R.F.M. | | | | | | (3.30) .130 | (6.10) .240 | 15 GOLD | GOLD | (2.54) .100 | | TIN | (1.27) .050 | -0015 (TUBES) |
| 11-25 | -0010-0024 | R.F.M. | | | | | | | | | | | | | | |
| 2-10 | -0036-0044 | R.F.M. | | | | | | (3.30) .130 | (6.10) .240 | TIN | TIN | (2.54) .100 | | TIN | (1.27) .050 | -0015 (TUBES) |
| 11-25 | -0045-0059 | R.F.M. | | | | | | | | | | | | | | |
| 2-10 | -0106-0114 | R.F.M. | | | | | | (3.30) .130 | (6.10) .240 | 30 GOLD | GOLD | (2.54) .100 | | TIN | (1.27) .050 | -0015 (TUBES) |
| 11-25 | -0115-0129 | R.F.M. | | | | | | | | | | | | | | |
| 2-10 | -0141-0149 | R.F.M. | | | | | | (2.67) .105 | (6.10) .240 | 15 GOLD | GOLD | (2.54) .100 | | TIN | (1.27) .050 | -0015 (TUBES) |
| 11-25 | -0150-0159 | R.F.M. | | | | | | | | | | | | | | |
| 2-10 | | | | | | | | | | | | | | | | |
| 11-25 | | | | | | | | | | | | | | | | |

| CIRCUIT SIZE | ASSEMBLY ITEM NUMBER | ASSEMBLY ITEM NUMBER | ASSEMBLY ITEM NUMBER | ASSEMBLY ITEM NUMBER | ASSEMBLY ITEM NUMBER | ASSEMBLY ITEM NUMBER |
|--------------|----------------------|----------------------|----------------------|----------------------|----------------------|----------------------|
| 2 | 70553-0001 | 70553-0036 | 70553-0106 | 70553-0141 | | |
| 3 | 70553-0002 | 70553-0037 | 70553-0107 | 70553-0142 | | |
| 4 | 70553-0003 | 70553-0038 | 70553-0108 | 70553-0143 | | |
| 5 | 70553-0004 | 70553-0039 | 70553-0109 | 70553-0144 | | |
| 6 | 70553-0005 | 70553-0040 | 70553-0110 | 70553-0145 | | |
| 7 | 70553-0006 | 70553-0041 | 70553-0111 | 70553-0146 | | |
| 8 | 70553-0007 | 70553-0042 | 70553-0112 | 70553-0147 | | |
| 9 | 70553-0008 | 70553-0043 | 70553-0113 | 70553-0148 | | |
| 10 | 70553-0009 | 70553-0044 | 70553-0114 | 70553-0149 | | |
| 11 | 70553-0010 | 70553-0045 | 70553-0115 | 70553-0150 | | |
| 12 | 70553-0011 | 70553-0046 | 70553-0116 | 70553-0151 | | |
| 13 | 70553-0012 | 70553-0047 | 70553-0117 | 70553-0152 | | |
| 14 | 70553-0013 | 70553-0048 | 70553-0118 | 70553-0153 | | |
| 15 | 70553-0014 | 70553-0049 | 70553-0119 | 70553-0154 | | |
| 16 | 70553-0015 | 70553-0050 | 70553-0120 | 70553-0155 | | |
| 17 | 70553-0016 | 70553-0051 | 70553-0121 | 70553-0156 | | |
| 18 | 70553-0017 | 70553-0052 | 70553-0122 | 70553-0157 | | |
| 19 | 70553-0018 | 70553-0053 | 70553-0123 | 70553-0158 | | |
| 20 | 70553-0019 | 70553-0054 | 70553-0124 | 70553-0159 | | |
| 21 | 70553-0020 | 70553-0055 | 70553-0125 | 70553-0160 | | |
| 22 | 70553-0021 | 70553-0056 | 70553-0126 | 70553-0161 | | |
| 23 | 70553-0022 | 70553-0057 | 70553-0127 | 70553-0162 | | |
| 24 | 70553-0023 | 70553-0058 | 70553-0128 | 70553-0163 | | |
| 25 | 70553-0024 | 70553-0059 | 70553-0129 | 70553-0164 | | |

X IN COLUMN UNDER *ASSEMBLY ITEM NUMBER * HEADING DENOTES TOOLING NOT AVAILABLE

| | | | | | | | | | |
|---|---------------------|---------------------------------------|------------|---|------------|--|--------------|------------------------|--|
| UPDATE REV LEVEL EC NO. UGP2010-0787 2009/09/24 DRWNSH BARRA 2009/10/02 CHKCHORDAN 2009/10/05 APPR: SHILLER | QUALITY SYMBOLS | GENERAL TOLERANCES (UNLESS SPECIFIED) | | DIMENSION STYLE | | SCALE | DESIGN UNITS | THIRD ANGLE PROJECTION | |
| | | mm | INCH | MM/IN | | 4:1 | INCH | | |
| | | 4 PLACES ±.005 | ±.005 | DRAWN BY | DATE | TITLE | | | |
| | | 3 PLACES ±.010 | ±.010 | AAB | 1993/05/13 | SALES ASSY, SL RIGHT ANGLE HDR W/LATCH (2.54)/.100 CENTERS | | | |
| 2 PLACES ±0.25 | ±.010 | CHECKED BY | DATE | MATERIAL NO. | | | | | |
| 1 PLACE ±0.25 | ±.010 | AAB | 1993/05/13 | DOCUMENT NO. | | | | | |
| ANGULAR ±1/2° | | APPROVED BY | DATE | SHEET NO. | | | | | |
| | | WAZ | 1993/05/13 | 2 OF 3 | | | | | |
| DRAFT WHERE APPLICABLE MUST REMAIN WITHIN DIMENSIONS | | SEE TABLE | | THIS DRAWING CONTAINS INFORMATION THAT IS PROPRIETARY TO MOLEX INCORPORATED AND SHOULD NOT BE USED WITHOUT WRITTEN PERMISSION | | | | | |

| | | 12 | 11 | 10 | 9 | 8 | 7 | 6 | 5 | 4 | 3 | 2 | 1 |
|--|--|----|----|----|---|---|---|---|---|---|---|---|---|
|--|--|----|----|----|---|---|---|---|---|---|---|---|---|

| | | 13 | 12 | 11 | 10 | 9 | 8 | 7 | 6 | 5 | 4 | 3 | 2 | 1 | |
|--------------|-------------------------------|----------------------------------|----|----|----|---|---|----------------|----------------|--------------|-----------------------|----------------|------------------------|----------------|---|
| CIRCUIT SIZE | ENGINEERING NUMBER A-70553 | MANUFACTURE RELEASE STATUS | | | | | | D REF. | E ± .010 | PLATING TYPE | CONNECTOR END PLATING | | P.C. BOARD END PLATING | | SEE PACK INFORMA. DRAWING PK-70873 |
| | | | | | | | | | | | TYPE | H MEAS. | TYPE | K MEAS. | |
| 2-10 | -5001-5009 | | | | | | | (3.30) .130 | (6.10) .240 | 15 GOLD | GOLD | (2.54) .100 | TIN | (1.27) .050 | -0535 (BAGS) |
| 2-10 | -5036-5044 | R.F.M. | | | | | | (3.30) .130 | (6.10) .240 | TIN | TIN | (2.54) .100 | TIN | (1.27) .050 | -0535 (BAGS) |
| 2-10 | -6001-6009 | R.F.M. | | | | | | (3.30) .130 | (6.10) .240 | 15 GOLD | GOLD | (2.54) .100 | TIN | (1.27) .050 | -0015 (TUBES) |
| 2-10 | | | | | | | | | | | | | | | |

| CIRCUIT SIZE | ASSEMBLY ITEM NUMBER | ASSEMBLY ITEM NUMBER | ASSEMBLY ITEM NUMBER | ASSEMBLY ITEM NUMBER | ASSEMBLY ITEM NUMBER | ASSEMBLY ITEM NUMBER |
|--------------|----------------------|----------------------|----------------------|----------------------|----------------------|----------------------|
| 2 | X 70553-5001 | 70553-5036 | | | | |
| 3 | X 70553-5002 | X 70553-5037 | 70553-6002 | | | |
| 4 | X 70553-5003 | 70553-5038 | | | | |
| 5 | X 70553-5004 | X 70553-5039 | | | | |
| 6 | X 70553-5005 | X 70553-5040 | | | | |
| 7 | X 70553-5006 | X 70553-5041 | | | | |
| 8 | X 70553-5007 | X 70553-5042 | | | | |
| 9 | X 70553-5008 | X 70553-5043 | | | | |
| 10 | X 70553-5009 | X 70553-5044 | | | | |

X IN COLUMN UNDER *ASSEMBLY ITEM NUMBER * HEADING DENOTES TOOLING NOT AVAILABLE

| | | | | | | | | | |
|---|------------------------------------|---|---------------------------|---------------------------------|---------------------|---|----------------------|---------------------------|--------------------|
| UPDATE REV LEVEL EC NO: UCP2010-0787 2009/09/24 DRINKS IBARRA 2009/10/02 CHKCDMORGAN 2009/10/05 APPR: SHILLER | QUALITY SYMBOLS | GENERAL TOLERANCES (UNLESS SPECIFIED) | | DIMENSION STYLE MM/IN | | SCALE 4:1 | DESIGN UNITS INCH | THIRD ANGLE PROJECTION | |
| | | 4 PLACES ± --- ± --- 3 PLACES ± --- ± .005 2 PLACES ± 0.13 ± .010 1 PLACE ± 0.25 ± --- | mm INCH | DRAWN BY AAB | DATE 1993/05/13 | TITLE SALES ASSY, SL RIGHT ANGLE HDR W/LATCH (2.54)/.100 CENTERS | | | |
| | | ANGULAR ± 1/2° | | CHECKED BY AAB | DATE 1993/05/13 | APPROVED BY WAZ | DATE 1993/05/13 | | MOLEX INCORPORATED |
| | | DRAFT WHERE APPLICABLE MUST REMAIN WITHIN DIMENSIONS | MATERIAL NO. SEE TABLE | DOCUMENT NO. SDA-70553-**** | SHEET NO. 3 OF 3 | | | | |

THIS DRAWING CONTAINS INFORMATION THAT IS PROPRIETARY TO MOLEX INCORPORATED AND SHOULD NOT BE USED WITHOUT WRITTEN PERMISSION

| | | 12 | 11 | 10 | 9 | 8 | 7 | 6 | 5 | 4 | 3 | 2 | 1 |
|--|--|----|----|----|---|---|---|---|---|---|---|---|---|
|--|--|----|----|----|---|---|---|---|---|---|---|---|---|

Id_frame_C_P_AM.T
Rev. F 2009/06/18