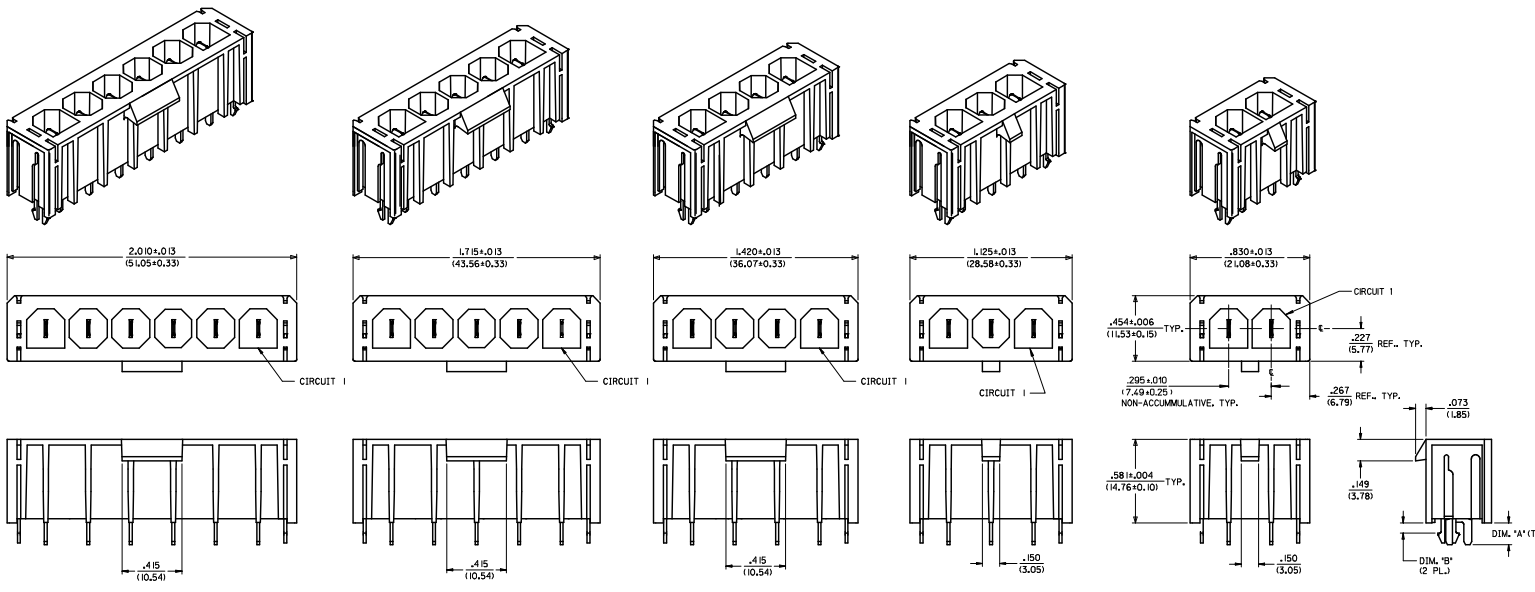


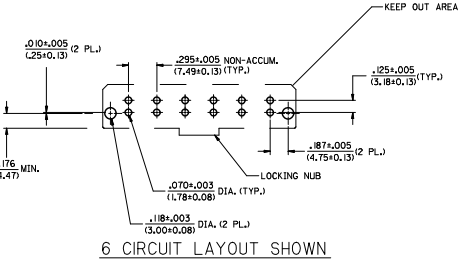
20 19 18 17 16 15 14 13 12 11 10 9 8 7 6 5 4 3 2 1



SEE SHEET 2 AND 3 FOR ITEM NUMBER CHART

RECOMMENDED P.C. BOARD LAYOUT FOR VERTICAL HEADERS

SCALE 2:1



6 CIRCUIT LAYOUT SHOWN

NOTES:

- INSULATOR MATERIAL (SEE CHART):
A = 30% GLASS FILLED 46 NYLON, 94V-0, COLOR: BLACK.
TERMINAL MATERIAL: C26000 BRASS.
- TERMINAL FINISH: 35 MICRON (0.88 MICROMETER) MINIMUM TIN OVER 20 MICRON (0.50 MICROMETER) MINIMUM COPPER.
* THE PRIMARY SHIPPING CARTON WILL BE LABELED COMPLIANT TO ROHS DIRECTIVE 2002/95/EC AND ELV ANNEX II OF DIRECTIVE 2000/53/EC. CARTONS WITHOUT THIS LABEL MAY CONTAIN PRODUCT WITH TIN-LEAD IN THE PC TAILS.
- PRODUCT SPECIFICATION: PSX-44441-9999.
- PACKAGING: SEE CHART.
- THESE HEADERS MATE WITH 43179, 43335, OR 44441 RECEPTACLE HOUSINGS.
- SEE SHEETS 1, 2 AND 3, FOR VERTICAL HEADER ASSEMBLIES AND THEIR RESPECTIVE PART NUMBERS.
- SEE SHEETS 4, 5 AND 6, FOR RIGHT ANGLE HEADER ASSEMBLIES AND THEIR RESPECTIVE PART NUMBERS.
- DIMENSIONS ARE FOR REFERENCE ONLY, UNLESS INDICATED OTHERWISE.

SOLDER TAIL	DIM. "A" ±.020/(0.51)
SHORT	.150/(3.81)
LONG	.210/(5.33)

BOARD LOCK	DIM. "B" ±.004/(0.15)
.062	.070/(1.78)
.094	.102/(2.59)
.125	.133/(3.38)

SHT.	REV.
6	1
5	1
4	1
3	1
2	1
1	1

REV. 1 REV. 2 REV. 3 REV. 4 REV. 5 REV. 6 REV. 7 REV. 8 REV. 9 REV. 10 REV. 11 REV. 12 REV. 13 REV. 14 REV. 15 REV. 16 REV. 17 REV. 18 REV. 19 REV. 20	QUALITY SYMBOLS ▽=0 ▽=0	GENERAL TOLERANCES (UNLESS SPECIFIED) 4 PLACES ±.005 INCH 3 PLACES ±.005 INCH 2 PLACES ±.010 INCH 1 PLACE ±.025 INCH ANGULAR ±1/2°	DIMENSION STYLE IN/MM SCALE 3:1 DESIGN UNITS INCH THIRD ANGLE PROJECTION	DRAWN BY: DC CHECKED BY: KBP APPROVED BY: RAS DATE: 11/30/95 DATE: 11/30/95 DATE: 11/30/95	TITLE SABRE HEADER, ASSY VERTICAL, 2-6 & 8 CIR. .125/(3.18) X .020/(0.51) MOLEX INCORPORATED	MATERIAL NO. SEE CHART DOCUMENT NO. SDA-43160-XXXX SHEET NO. 1 OF 6
	DRAFT WHERE APPLICABLE MUST REMAIN WITHIN DIMENSIONS					
	THIS DRAWING CONTAINS INFORMATION THAT IS PROPRIETARY TO MOLEX INCORPORATED AND SHOULD NOT BE USED WITHOUT WRITTEN PERMISSION					
	Rev. D 2004/04/02					

VERTICAL HEADER ASSEMBLY ITEM NO.	PART CHARACTERISTICS FOR VERTICAL HEADER				PACKAGING SPECIFICATIONS
	CIRCUIT SIZE	HSG. MAT'L (SEE NOTE II)	SOLDER TAIL	BOARD LOCK	
43160-0102	2	A	SHORT	N/A	PK-43160-0010
43160-0302	2	A	LONG	N/A	PK-43789-001
43160-2102	2	A	SHORT	.062	PK-43789-001
43160-4102	2	A	SHORT	.094	PK-43789-001
43160-4302	2	A	LONG	.094	PK-43789-001
43160-6302	2	A	LONG	.125	PK-43789-001
43160-0103	3	A	SHORT	N/A	PK-43160-0010
43160-0303	3	A	LONG	N/A	PK-43789-001
43160-2103	3	A	SHORT	.062	PK-43789-001
43160-4103	3	A	SHORT	.094	PK-43789-001
43160-4303	3	A	LONG	.094	PK-43789-001
43160-6303	3	A	LONG	.125	PK-43789-001

VERTICAL HEADER ASSEMBLY ITEM NO.	PART CHARACTERISTICS FOR VERTICAL HEADER				PACKAGING SPECIFICATIONS
	CIRCUIT SIZE	HSG. MAT'L (SEE NOTE II)	SOLDER TAIL	BOARD LOCK	
43160-0104	4	A	SHORT	N/A	PK-43160-0010
43160-0304	4	A	LONG	N/A	PK-43789-001
43160-2104	4	A	SHORT	.062	PK-43789-001
43160-4104	4	A	SHORT	.094	PK-43789-001
43160-4304	4	A	LONG	.094	PK-43789-001
43160-6304	4	A	LONG	.125	PK-43789-001
43160-0105	5	A	SHORT	N/A	PK-43160-0010
43160-0305	5	A	LONG	N/A	PK-43789-001
43160-2105	5	A	SHORT	.062	PK-43789-001
43160-4105	5	A	SHORT	.094	PK-43789-001
43160-4305	5	A	LONG	.094	PK-43789-001
43160-6305	5	A	LONG	.125	PK-43789-001

VERTICAL HEADER ASSEMBLY ITEM NO.	PART CHARACTERISTICS FOR VERTICAL HEADER				PACKAGING SPECIFICATIONS
	CIRCUIT SIZE	HSG. MAT'L (SEE NOTE II)	SOLDER TAIL	BOARD LOCK	
43160-0106	6	A	SHORT	N/A	PK-43160-0010
43160-0306	6	A	LONG	N/A	PK-43789-001
43160-2106	6	A	SHORT	.062	PK-43789-001
43160-4106	6	A	SHORT	.094	PK-43789-001
43160-4306	6	A	LONG	.094	PK-43789-001
43160-6306	6	A	LONG	.125	PK-43789-001

REMOVE DIM. DIM. PINS SEE MOLEX DRAWING DRAWING NO. 2000/0105 CHECKED BY: CHIKO DAIKING APPROVED BY:	QUALITY SYMBOLS	GENERAL TOLERANCES (UNLESS SPECIFIED)	DIMENSION STYLE	SCALE	DESIGN UNITS	THIRD ANGLE PROJECTION	
	▽=0 ▽=0	4 PLACES ±.005 ±.005 3 PLACES ±.010 ±.010 2 PLACES ±0.13 ±.01 1 PLACE ±0.25 ±.01 ANGULAR ±1/2°	IN/MM INCH	DRAWN BY: DATE: 11/30/95 CHECKED BY: DATE: 11/30/95 APPROVED BY: DATE: 11/30/95 RAS	1:1	INCH	
	DRAFT WHERE APPLICABLE MUST REMAIN WITHIN DIMENSIONS	SEE CHART THIS DRAWING CONTAINS INFORMATION THAT IS PROPRIETARY TO MOLEX INCORPORATED AND SHOULD NOT BE USED WITHOUT WRITTEN PERMISSION	MATERIAL NO. SDA-43160-**** DOCUMENT NO.	MOLEX INCORPORATED			SHEET NO. 2 OF 6