

DWG. NO. SD-5219-06A

SIMILAR ITEM

PDR. NO.

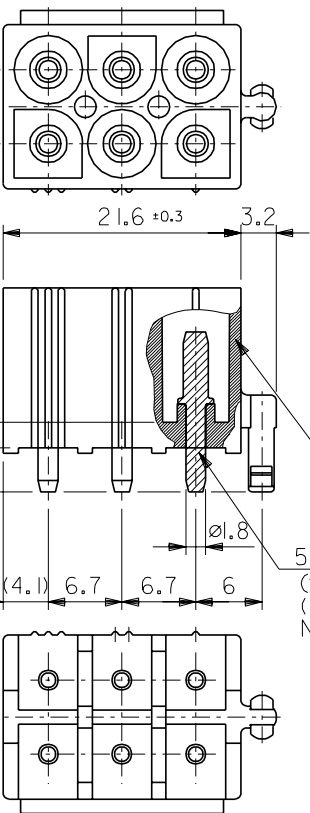
c

B

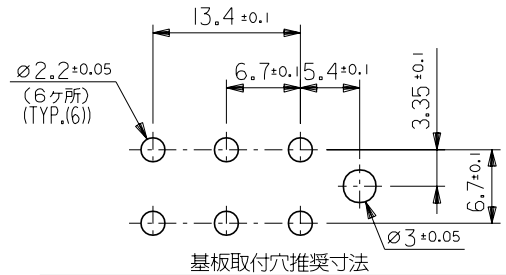
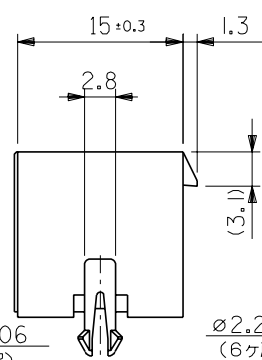
DO NOT SCALE DRAWING

角度 ANGLE	± 3°
30以上 OVER	±0.3
10以上 30未満 UNDER	±0.25
10未満 UNDER	±0.2
一般公差 GENERAL TOLERANCES	

EC NO. DRWN: CHK: APPR:	EC NO. DRWN: CHK: APPR:	EC NO. DRWN: CHK: APPR:	EC NO. DRWN: CHK: APPR:	EC NO. DRWN: CHK: APPR:	REDRAWN '00/5/30 EC NO. JC2000-0788 DRWN: K.KOHAMA CHK: M.FUKUSHIMA APPR: M.FUKUSHIMA	MATERIAL ☒ 中記 SEE CHART
----------------------------------	----------------------------------	----------------------------------	----------------------------------	----------------------------------	---	-------------------------------



注記:
NOTES:
1. 適合リセプタクルハウジング: 3191-06R*
TO BE MATED WITH RECEPTACLE
HOUSING : 3191-06R*



基板取付穴推奨寸法
RECOMMENDED P.C. BOARD HOLE DIMENSIONS

5219-06A	15-31-1066	NYLON66,94V-2
ENG. NO.	EDP NO.	ハウジングの材質 MATERIAL

GENERAL TOLERANCES: (UNLESS SPECIFIED) DIM. : ±0.1 ANGLE : ±1°	SCALE 2 : 1	DESIGN UNITS <input checked="" type="checkbox"/> mm <input type="checkbox"/> INCH	THIRD ANGLE PROJECTION <input type="checkbox"/> mm <input type="checkbox"/> INCH <input checked="" type="checkbox"/> mm ONLY	SHT REV	
QUALITY SYMBOLS ■ : CRITICAL ▽ : ZERO DEFECT ☒ : MAJOR ▽ : S.P.C.	DRAWN BY & DATE K.KOHAMA '00/5/30 CHECKED BY & DATE M.FUKUSHIMA '00/5/30 APPROVED BY & DATE M.FUKUSHIMA '00/5/30 CAD FILENAME SD521906A.S01	TITLE: NEW INTERNATIONAL CONNECTOR 6 POS. HEADER MOLEX INCORPORATED	MATERIAL NO. SEE CHART	DRAWING NO. SD-5219-06A	SHEET NO. 1 OF 1 SIZE A

THIS DRAWING CONTAINS INFORMATION THAT IS PROPRIETARY TO MOLEX INCORPORATED AND SHOULD NOT BE USED WITHOUT WRITTEN PERMISSION.

EN-02C(097) MXJ-49