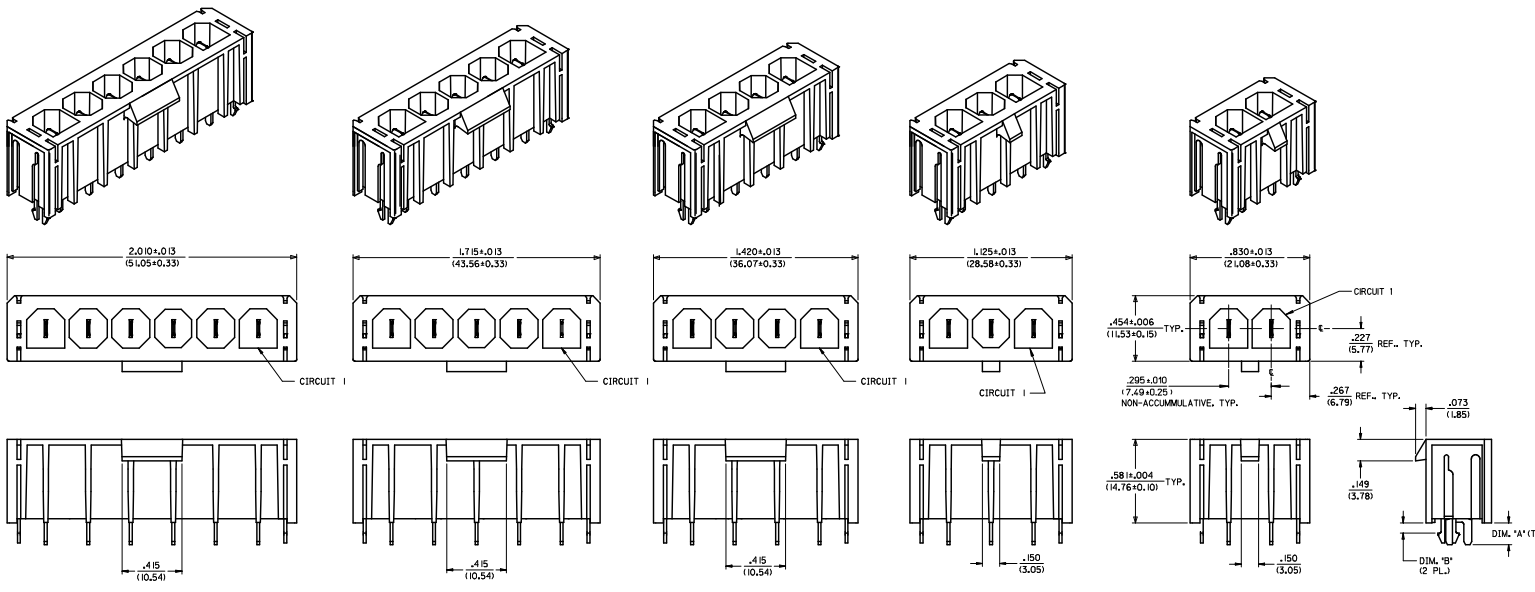


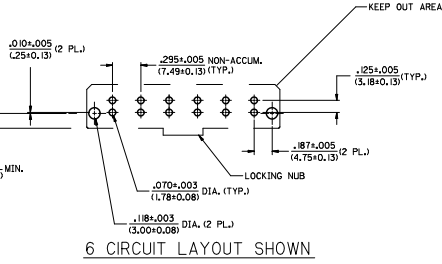
20 19 18 17 16 15 14 13 12 11 10 9 8 7 6 5 4 3 2 1



SEE SHEET 2 AND 3 FOR ITEM NUMBER CHART

RECOMMENDED P.C. BOARD LAYOUT FOR VERTICAL HEADERS

SCALE 2:1



NOTES:

- INSULATOR MATERIAL (SEE CHART):
A = 30% GLASS FILLED 46 NYLON, 94V-0, COLOR: BLACK.
TERMINAL MATERIAL: C26000 BRASS.
- TERMINAL FINISH: 35 MICRON (0.88 MICROMETER) MINIMUM TIN OVER 20 MICRON (0.50 MICROMETER) MINIMUM COPPER.
* THE PRIMARY SHIPPING CARTON WILL BE LABELED COMPLIANT TO RoHS DIRECTIVE 2002/95/EC AND ELV ANNEX II OF DIRECTIVE 2000/53/EC. CARTONS WITHOUT THIS LABEL MAY CONTAIN PRODUCT WITH TIN-LEAD IN THE PC TAILS.
- PRODUCT SPECIFICATION: PSX-44441-9999.
- PACKAGING: SEE CHART.
- THESE HEADERS MATE WITH 43179, 43335, OR 44441 RECEPTACLE HOUSINGS.
- SEE SHEETS 1, 2 AND 3, FOR VERTICAL HEADER ASSEMBLIES AND THEIR RESPECTIVE PART NUMBERS.
- SEE SHEETS 4, 5 AND 6, FOR RIGHT ANGLE HEADER ASSEMBLIES AND THEIR RESPECTIVE PART NUMBERS.
- DIMENSIONS ARE FOR REFERENCE ONLY, UNLESS INDICATED OTHERWISE.

SOLDER TAIL	DIM. "A" ±.020/(0.51)
SHORT	.150/(3.81)
LONG	.210/(5.33)

BOARD LOCK	DIM. "B" ±.004/(0.15)
.062	.070/(1.78)
.094	.102/(2.59)
.125	.133/(3.38)

REV. 1 REV. 2 REV. 3 REV. 4 REV. 5 REV. 6 REV. 7 REV. 8 REV. 9 REV. 10 REV. 11 REV. 12 REV. 13 REV. 14 REV. 15 REV. 16 REV. 17 REV. 18 REV. 19 REV. 20	QUALITY SYMBOLS ▽=0 ▽=0	GENERAL TOLERANCES (UNLESS SPECIFIED) DIM. IN/MM 4 PLACES ±.005 ±.005 3 PLACES ±.010 ±.010 2 PLACES ±.015 ±.015 1 PLACE ±.025 ±.025 ANGULAR ±1/2°	DIMENSION STYLE IN/MM SCALE 3:1 DESIGN UNITS INCH THIRD ANGLE PROJECTION	DRAWN BY DATE 11/30/95 CHECKED BY DATE 11/30/95 APPROVED BY DATE 11/30/95 MATERIAL NO. DOCUMENT NO. SEE CHART SDA-43160-XXXX THIS DRAWING CONTAINS INFORMATION THAT IS PROPRIETARY TO MOLEX INCORPORATED AND SHOULD NOT BE USED WITHOUT WRITTEN PERMISSION	TITLE SABRE HEADER, ASSY VERTICAL, 2-6 & 8 CIR. .125/(3.18) X .020/(0.51) MOLEX INCORPORATED SHEET NO. 1 OF 6
---	-------------------------------	---	--	---	---

19 18 17 16 15 14 13 12 11 10 9 8 7 6 5 4 3 2 1

VERTICAL HEADER ASSEMBLY ITEM NO.	PART CHARACTERISTICS FOR VERTICAL HEADER				PACKAGING SPECIFICATIONS
	CIRCUIT SIZE	HSG. MAT'L (SEE NOTE II)	SOLDER TAIL	BOARD LOCK	
43160-0102	2	A	SHORT	N/A	PK-43160-0010
43160-0302	2	A	LONG	N/A	PK-43789-001
43160-2102	2	A	SHORT	.062	PK-43789-001
43160-4102	2	A	SHORT	.094	PK-43789-001
43160-4302	2	A	LONG	.094	PK-43789-001
43160-6302	2	A	LONG	.125	PK-43789-001
43160-0103	3	A	SHORT	N/A	PK-43160-0010
43160-0303	3	A	LONG	N/A	PK-43789-001
43160-2103	3	A	SHORT	.062	PK-43789-001
43160-4103	3	A	SHORT	.094	PK-43789-001
43160-4303	3	A	LONG	.094	PK-43789-001
43160-6303	3	A	LONG	.125	PK-43789-001

VERTICAL HEADER ASSEMBLY ITEM NO.	PART CHARACTERISTICS FOR VERTICAL HEADER				PACKAGING SPECIFICATIONS
	CIRCUIT SIZE	HSG. MAT'L (SEE NOTE II)	SOLDER TAIL	BOARD LOCK	
43160-0104	4	A	SHORT	N/A	PK-43160-0010
43160-0304	4	A	LONG	N/A	PK-43789-001
43160-2104	4	A	SHORT	.062	PK-43789-001
43160-4104	4	A	SHORT	.094	PK-43789-001
43160-4304	4	A	LONG	.094	PK-43789-001
43160-6304	4	A	LONG	.125	PK-43789-001
43160-0105	5	A	SHORT	N/A	PK-43160-0010
43160-0305	5	A	LONG	N/A	PK-43789-001
43160-2105	5	A	SHORT	.062	PK-43789-001
43160-4105	5	A	SHORT	.094	PK-43789-001
43160-4305	5	A	LONG	.094	PK-43789-001
43160-6305	5	A	LONG	.125	PK-43789-001

VERTICAL HEADER ASSEMBLY ITEM NO.	PART CHARACTERISTICS FOR VERTICAL HEADER				PACKAGING SPECIFICATIONS
	CIRCUIT SIZE	HSG. MAT'L (SEE NOTE II)	SOLDER TAIL	BOARD LOCK	
43160-0106	6	A	SHORT	N/A	PK-43160-0010
43160-0306	6	A	LONG	N/A	PK-43789-001
43160-2106	6	A	SHORT	.062	PK-43789-001
43160-4106	6	A	SHORT	.094	PK-43789-001
43160-4306	6	A	LONG	.094	PK-43789-001
43160-6306	6	A	LONG	.125	PK-43789-001

REMOVE DIM. DIM. PINS SEE MOLEX DRAWING DRAWING NO. 2000/0105 CHECKED BY: CHIKO DAIJING APPROVED BY:	QUALITY SYMBOLS	GENERAL TOLERANCES (UNLESS SPECIFIED)	DIMENSION STYLE	SCALE	DESIGN UNITS	THIRD ANGLE PROJECTION	
	▽=0 ▽=0.1	4 PLACES ±.005 ±.005 3 PLACES ±.010 ±.010 2 PLACES ±0.13 ±.01 1 PLACE ±0.25 ±.01 ANGULAR ±1/2°	IN/MM INCH	DRAWN BY: DATE: 11/30/95 CHECKED BY: DATE: 11/30/95 APPROVED BY: DATE: 11/30/95 RAS	1:1	INCH	SABRE HEADER ASSY VERTICAL, 2-6 & 8 CIR.
		DRAFT WHERE APPLICABLE MUST REMAIN WITHIN DIMENSIONS	SEE CHART	MATERIAL NO. SDA-43160-**** DOCUMENT NO.			MOLEX INCORPORATED THIS DRAWING CONTAINS INFORMATION THAT IS PROPRIETARY TO MOLEX INCORPORATED AND SHOULD NOT BE USED WITHOUT WRITTEN PERMISSION
							SHEET NO. 2 OF 6