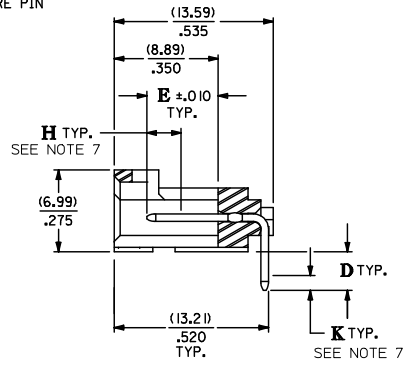
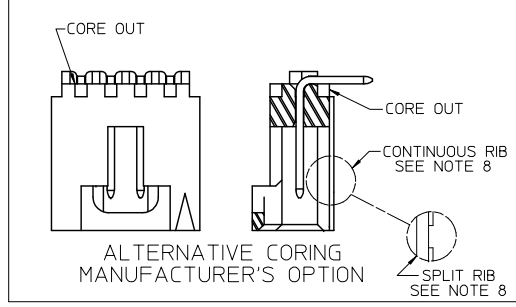
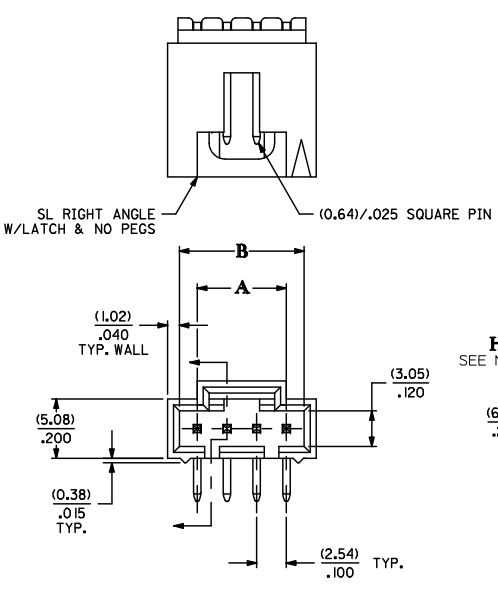
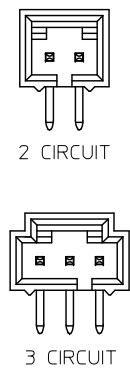
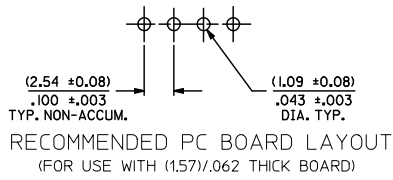


13 12 11 10 9 8 7 6 5 4 3 2 1



| CKT. SIZE | DIM. "A" |       | DIM. "B" |       |
|-----------|----------|-------|----------|-------|
|           | MM       | IN.   | MM       | IN.   |
| 2         | 2.54     | .100  | 5.33     | .210  |
| 3         | 5.08     | .200  | 8.13     | .320  |
| 4         | 7.62     | .300  | 10.67    | .420  |
| 5         | 10.16    | .400  | 13.21    | .520  |
| 6         | 12.70    | .500  | 15.75    | .620  |
| 7         | 15.24    | .600  | 18.29    | .720  |
| 8         | 17.78    | .700  | 20.83    | .820  |
| 9         | 20.32    | .800  | 23.37    | .920  |
| 10        | 22.86    | .900  | 25.91    | 1.020 |
| 11        | 25.40    | 1.000 | 28.45    | 1.120 |
| 12        | 27.94    | 1.100 | 30.99    | 1.220 |
| 13        | 30.48    | 1.200 | 33.53    | 1.320 |
| 14        | 33.02    | 1.300 | 36.07    | 1.420 |
| 15        | 35.56    | 1.400 | 38.61    | 1.520 |
| 16        | 38.10    | 1.500 | 41.15    | 1.620 |
| 17        | 40.64    | 1.600 | 43.69    | 1.720 |
| 18        | 43.18    | 1.700 | 46.23    | 1.820 |
| 19        | 45.72    | 1.800 | 48.77    | 1.920 |
| 20        | 48.26    | 1.900 | 51.31    | 2.020 |
| 21        | 50.80    | 2.000 | 53.85    | 2.120 |
| 22        | 53.34    | 2.100 | 56.39    | 2.220 |
| 23        | 55.88    | 2.200 | 58.93    | 2.320 |
| 24        | 58.42    | 2.300 | 61.47    | 2.420 |
| 25        | 60.96    | 2.400 | 64.01    | 2.520 |

- NOTES:
- HEADER MATERIAL: GLASS FILLED POLYESTER, UL 94V-0, COLOR: BLACK  
PIN MATERIAL: PHOSPHOR BRONZE
  - FINISH:  
TIN: 3.81 MICROMETERS/150 MICROINCHES MINIMUM TIN PLATE OVERALL OVER NICKEL UNDERPLATE OVERALL  
15 GOLD: 0.38 MICROMETERS/15 MICROINCHES MINIMUM GOLD PLATE IN CONTACT AREA OVER NICKEL UNDERPLATE OVERALL  
191 MICROMETERS/75 MICROINCHES MINIMUM TIN PLATE IN TAIL AREA OVER NICKEL UNDERPLATE OVERALL  
30 GOLD: 0.76 MICROMETERS/30 MICROINCHES MINIMUM GOLD PLATE IN CONTACT AREA OVER NICKEL UNDERPLATE OVERALL  
191 MICROMETERS/75 MICROINCHES MINIMUM TIN PLATE IN TAIL AREA OVER NICKEL UNDERPLATE OVERALL
  - HEADER TO BE USED WITH OPTION 'G' 70400 AND 70430 SERIES SL CONNECTORS
  - REFER TO MOLEX PRODUCT SPECIFICATION PS-70541 & PS-70400
  - STANDARD PACKAGING IN TUBES PER PK-70873-0015 OR OPTIONAL PACKAGING IN BAGS PER PK-70873-0535. OPTIONAL PACK NOT AVAILABLE FOR ALL CKT. SIZES.
  - DIMENSIONS WITHOUT TOLERANCE ARE SHOWN FOR REFERENCE ONLY.
  - MEASURE POINT FOR PLATING THICKNESS
  - ALTERNATIVE RIB, MAY BE SPLIT OR CONTINUOUS. EITHER OPTION DOES NOT IMPACT FUNCTION OF THE ASSEMBLY.



|  |                     |   |   |   |  |  |                      |                        |
|--|---------------------|---|---|---|--|--|----------------------|------------------------|
| <b>ADD RIB NOTE 8</b><br>EC NO. UCP2010-0787<br>DRWNS:IBARRA 2009/09/24<br>CHK:KINGMAN 2009/10/02<br>APPR:SHILLER 2009/10/05 | QUALITY SYMBOLS<br> | GENERAL TOLERANCES (UNLESS SPECIFIED)   |   | DIMENSION STYLE<br>MM/IN  |  | SCALE<br>4:1   | DESIGN UNITS<br>INCH | THIRD ANGLE PROJECTION |
|  |                     | 4 PLACES ±--- ±---<br>3 PLACES ±--- ±.005<br>2 PLACES ±0.13 ±.010<br>1 PLACE ±0.25 ±---<br>ANGULAR ±1/2°                      | mm INCH<br>DRAWN BY DATE<br>AAB 1993/05/13<br>CHECKED BY DATE<br>AAB 1993/05/13<br>APPROVED BY DATE<br>WAZ 1993/05/13 | TITLE<br>SALES ASSY, SL RIGHT ANGLE HDR W/LATCH (2.54)/.100 CENTERS |  | MATERIAL NO. DOCUMENT NO. SHEET NO.<br>SEE TABLE SDA-70553-**** 1 OF 3 |                      |                        |
| DRAFT WHERE APPLICABLE MUST REMAIN WITHIN DIMENSIONS   |                     | THIS DRAWING CONTAINS INFORMATION THAT IS PROPRIETARY TO MOLEX INCORPORATED AND SHOULD NOT BE USED WITHOUT WRITTEN PERMISSION |   |   |  |  |                      |                        |

Id\_frame\_C\_P\_AM.T Rev. F 2009/06/18

12 11 10 9 8 7 6 5 4 3 2 1

|              |                               | 13                               | 12 | 11 | 10 | 9 | 8 | 7         | 6           | 5            | 4                     | 3      | 2                      | 1    |   |  |                  |
|--------------|-------------------------------|----------------------------------|----|----|----|---|---|-----------|-------------|--------------|-----------------------|--------|------------------------|------|---|--|------------------|
| CIRCUIT SIZE | ENGINEERING NUMBER<br>A-70553 | MANUFACTURE<br>RELEASE<br>STATUS |    |    |    |   |   | D<br>REF. | E<br>± .010 | PLATING TYPE | CONNECTOR END PLATING |        | P.C. BOARD END PLATING |      | SEE PACK<br>INFORMA.<br>DRAWING<br>PK-70873 |  |                  |
|              |                               |                                  |    |    |    |   |   |           |             |              |                       |        |                        |      |   |  |                  |
| 2-10         | -0001-0009                    | R.F.M.                           |    |    |    |   |   | (3.30)    | (6.10)      | 15 GOLD      | GOLD                  | (2.54) |                        | TIN  | (1.27)                                      |  | -0015<br>(TUBES) |
| 11-25        | -0010-0024                    | R.F.M.                           |    |    |    |   |   | .130      | .240        |              |                       | .100   |                        | .050 |   |  |                  |
| 2-10         | -0036-0044                    | R.F.M.                           |    |    |    |   |   | (3.30)    | (6.10)      | TIN          | TIN                   | (2.54) |                        | TIN  | (1.27)                                      |  | -0015<br>(TUBES) |
| 11-25        | -0045-0059                    | R.F.M.                           |    |    |    |   |   | .130      | .240        |              |                       | .100   |                        | .050 |   |  |                  |
| 2-10         | -0106-0114                    | R.F.M.                           |    |    |    |   |   | (3.30)    | (6.10)      | 30 GOLD      | GOLD                  | (2.54) |                        | TIN  | (1.27)                                      |  | -0015<br>(TUBES) |
| 11-25        | -0115-0129                    | R.F.M.                           |    |    |    |   |   | .130      | .240        |              |                       | .100   |                        | .050 |   |  |                  |
| 2-10         | -0141-0149                    | R.F.M.                           |    |    |    |   |   | (2.67)    | (6.10)      | 15 GOLD      | GOLD                  | (2.54) |                        | TIN  | (1.27)                                      |  | -0015<br>(TUBES) |
| 11-25        | -0150-0159                    | R.F.M.                           |    |    |    |   |   | .105      | .240        |              |                       | .100   |                        | .050 |   |  |                  |
| 2-10         |                               |                                  |    |    |    |   |   |           |             |              |                       |        |                        |      |   |  |                  |
| 11-25        |                               |                                  |    |    |    |   |   |           |             |              |                       |        |                        |      |   |  |                  |

| CIRCUIT SIZE | ASSEMBLY ITEM NUMBER | ASSEMBLY ITEM NUMBER | ASSEMBLY ITEM NUMBER | ASSEMBLY ITEM NUMBER | ASSEMBLY ITEM NUMBER | ASSEMBLY ITEM NUMBER |
|--------------|----------------------|----------------------|----------------------|----------------------|----------------------|----------------------|
| 2            | 70553-0001           | 70553-0036           | 70553-0106           | 70553-0141           |                      |                      |
| 3            | 70553-0002           | 70553-0037           | 70553-0107           | 70553-0142           |                      |                      |
| 4            | 70553-0003           | 70553-0038           | 70553-0108           | 70553-0143           |                      |                      |
| 5            | 70553-0004           | 70553-0039           | 70553-0109           | 70553-0144           |                      |                      |
| 6            | 70553-0005           | 70553-0040           | 70553-0110           | 70553-0145           |                      |                      |
| 7            | 70553-0006           | 70553-0041           | 70553-0111           | 70553-0146           |                      |                      |
| 8            | 70553-0007           | 70553-0042           | 70553-0112           | 70553-0147           |                      |                      |
| 9            | 70553-0008           | 70553-0043           | 70553-0113           | 70553-0148           |                      |                      |
| 10           | 70553-0009           | 70553-0044           | 70553-0114           | 70553-0149           |                      |                      |
| 11           | 70553-0010           | 70553-0045           | 70553-0115           | 70553-0150           |                      |                      |
| 12           | 70553-0011           | 70553-0046           | 70553-0116           | 70553-0151           |                      |                      |
| 13           | 70553-0012           | 70553-0047           | 70553-0117           | 70553-0152           |                      |                      |
| 14           | 70553-0013           | 70553-0048           | 70553-0118           | 70553-0153           |                      |                      |
| 15           | 70553-0014           | 70553-0049           | 70553-0119           | 70553-0154           |                      |                      |
| 16           | 70553-0015           | 70553-0050           | 70553-0120           | 70553-0155           |                      |                      |
| 17           | 70553-0016           | 70553-0051           | 70553-0121           | 70553-0156           |                      |                      |
| 18           | 70553-0017           | 70553-0052           | 70553-0122           | 70553-0157           |                      |                      |
| 19           | 70553-0018           | 70553-0053           | 70553-0123           | 70553-0158           |                      |                      |
| 20           | 70553-0019           | 70553-0054           | 70553-0124           | 70553-0159           |                      |                      |
| 21           | 70553-0020           | 70553-0055           | 70553-0125           | 70553-0160           |                      |                      |
| 22           | 70553-0021           | 70553-0056           | 70553-0126           | 70553-0161           |                      |                      |
| 23           | 70553-0022           | 70553-0057           | 70553-0127           | 70553-0162           |                      |                      |
| 24           | 70553-0023           | 70553-0058           | 70553-0128           | 70553-0163           |                      |                      |
| 25           | 70553-0024           | 70553-0059           | 70553-0129           | 70553-0164           |                      |                      |

\*X\* IN COLUMN UNDER \*ASSEMBLY ITEM NUMBER \* HEADING DENOTES TOOLING NOT AVAILABLE

|   |                     |  |            |                 |            |  |              |                        |  |
|---|---------------------|--|------------|-----------------|------------|--|--------------|------------------------|--|
| <b>UPDATE REV LEVEL</b><br>EC NO. UGP2010-0787<br>2009/09/24<br>DRWNSH BARRA<br>2009/10/02<br>CHKCHORDAN<br>2009/10/05<br>APPR: SHILLER | QUALITY SYMBOLS<br> | GENERAL TOLERANCES (UNLESS SPECIFIED)                |            | DIMENSION STYLE |            | SCALE  | DESIGN UNITS | THIRD ANGLE PROJECTION |  |
|   |                     | mm   | INCH       | MM/IN           |            | 4:1  | INCH         |                        |  |
|   |                     | 4 PLACES ±.005                                       | ±.005      | DRAWN BY        | DATE       | TITLE  |              |                        |  |
|   |                     | 3 PLACES ±.010                                       | ±.010      | AAB             | 1993/05/13 | SALES ASSY, SL RIGHT ANGLE HDR W/LATCH (2.54)/.100 CENTERS |              |                        |  |
| 2 PLACES ±0.25  | ±.025               | 2  | 1993/05/13 | APPROVED BY     | DATE       | MATERIAL NO.   |              |                        |  |
| 1 PLACE ±.025   | ±.025               | 1  | 1993/05/13 | WAZ             | 1993/05/13 | DOCUMENT NO.   |              | SHEET NO.              |  |
| ANGULAR ±1/2°   |                     | DRAFT WHERE APPLICABLE MUST REMAIN WITHIN DIMENSIONS |            | SEE TABLE       |            | SDA-70553-****   |              | 2 OF 3                 |  |
| THIS DRAWING CONTAINS INFORMATION THAT IS PROPRIETARY TO MOLEX INCORPORATED AND SHOULD NOT BE USED WITHOUT WRITTEN PERMISSION           |                     |  |            |                 |            |  |              |                        |  |

|  |  | 12 | 11 | 10 | 9 | 8 | 7 | 6 | 5 | 4 | 3 | 2 | 1 |  |  |
|--|--|----|----|----|---|---|---|---|---|---|---|---|---|--|--|
|--|--|----|----|----|---|---|---|---|---|---|---|---|---|--|--|

