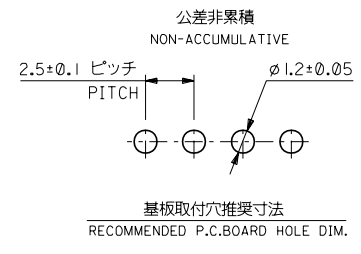
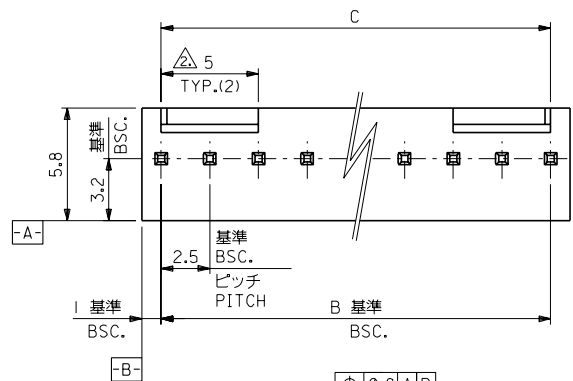


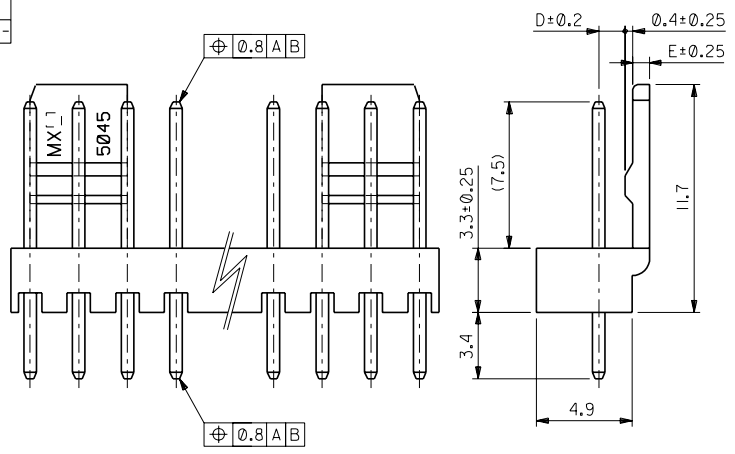
DWG. NO. SD-5045-NA

8 7 6 5 4 3 2 1



注) NOTE.

1. 材料 MATERIAL
 PIN: □0.635×14.2 黄銅、銅下地錫メッキ
 ウェハー: ナイロン66, UL94V-0
 WAFER: NYLON66, UL94V-0
- △ 6極以上に適用
 TO BE APPLIED FOR 6 CKT. AND MORE THEN 6 CKT.
3. 5極以下はロック部スリットなし
 NO SLIT IS PROVIDED FOR 5 CKT. AND LESS THAN 5 CKT.



1.35	0.85	47.5	47.5	22-04-1201	5045-20A	20
		45	45	-1191	-19A	19
		42.5	42.5	-1181	-18A	18
		40	40	-1171	-17A	17
		37.5	37.5	-1161	-16A	16
		35	35	-1151	-15A	15
		32.5	32.5	-1141	-14A	14
		30	30	-1131	-13A	13
		27.5	27.5	-1121	-12A	12
		25	25	-1111	-11A	11
		22.5	22.5	-1101	-10A	10
		20	20	-1091	-09A	9
		17.5	17.5	-1081	-08A	8
		15	15	-1071	-07A	7
		12.5	12.5	-1061	-06A	6
		10	10	-1051	-05A	5
1.35	0.85	7.5	7.5	-1041	-04A	4
1.2	1	5	5	-1031	-03A	3
1.2	1	2.5	2.5	22-04-1021	5045-02A	2
D	E	C	B	EDP.NO.	ENG.NO.	極数 CKT.

DO NOT SCALE DRAWING			MATERIAL 注記参照 SEE NOTES		GENERAL TOLERANCES: (UNLESS SPECIFIED) 一般公差		SCALE 5:1		DESIGN UNITS 設計單位 <input checked="" type="checkbox"/> mm <input type="checkbox"/> INCH		PROJECTION 投影法 <input checked="" type="checkbox"/> 1ST ANGLE <input type="checkbox"/> 3RD ANGLE		TITLE: KK 2.5 WAFER ASS'Y WITH LOCK		SHT 1 REV	
REDRAWN			FINISH 仕上げ //		10 UNDER 未滿 ±0.4		DRAWN BY & DATE K.KOHAMA 00/3/28		CHECKED BY & DATE T.YAMAGUCHI 00/3/30		APPROVED BY & DATE M.FUKUSHIMA 00/3/30		MATERIAL NO. 5045-**A		DRAWING NO. SD-5045-NA	
WIRE RANGE 適用電線範囲 //			INS. RANGE 被覆外径 //		10 OVER 以上 30 UNDER 未滿 ±0.4		ANGLE 角度 +3°		CAD FILENAME S5045.S01		MATERIAL NO. 5045-**A		DRAWING NO. SD-5045-NA		SHEET NO. 1	
INS. RANGE 被覆外径 //					30 OVER 以上 ±0.4										SIZE B	
															EN-02(J097) MXJ-54	