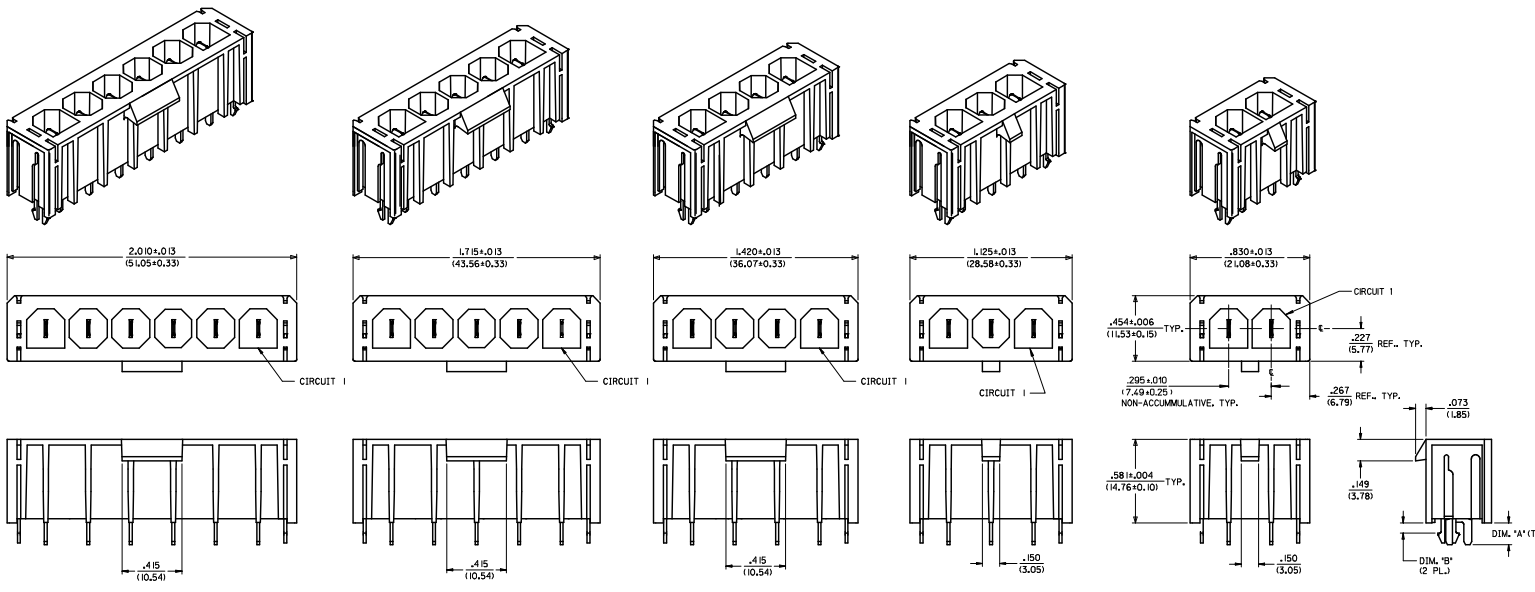


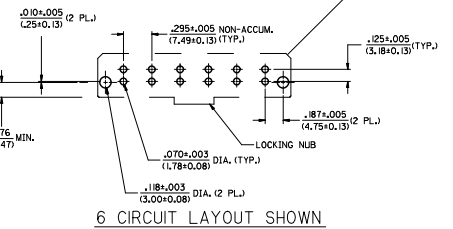
20 19 18 17 16 15 14 13 12 11 10 9 8 7 6 5 4 3 2 1



SEE SHEET 2 AND 3 FOR ITEM NUMBER CHART

RECOMMENDED P.C. BOARD LAYOUT FOR VERTICAL HEADERS

SCALE 2:1



6 CIRCUIT LAYOUT SHOWN

NOTES:

- INSULATOR MATERIAL (SEE CHART):
A = 30% GLASS FILLED 46 NYLON, 94V-0, COLOR: BLACK.
TERMINAL MATERIAL: C26000 BRASS.
- TERMINAL FINISH: 35 MICRON (0.88 MICROMETER) MINIMUM TIN OVER 20 MICRON (0.50 MICROMETER) MINIMUM COPPER.
* THE PRIMARY SHIPPING CARTON WILL BE LABELED "COMPLIANT TO RoHS DIRECTIVE 2002/95/EC AND ELV ANNEX II OF DIRECTIVE 2000/53/EC." CARTONS WITHOUT THIS LABEL MAY CONTAIN PRODUCT WITH TIN-LEAD IN THE PC TAILS.
- PRODUCT SPECIFICATION: PSX-44441-9999.
- PACKAGING: SEE CHART.
- THESE HEADERS MATE WITH 43179, 43335, OR 44441 RECEPTACLE HOUSINGS.
- SEE SHEETS 1, 2 AND 3, FOR VERTICAL HEADER ASSEMBLIES AND THEIR RESPECTIVE PART NUMBERS.
- SEE SHEETS 4, 5 AND 6, FOR RIGHT ANGLE HEADER ASSEMBLIES AND THEIR RESPECTIVE PART NUMBERS.
- DIMENSIONS ARE FOR REFERENCE ONLY, UNLESS INDICATED OTHERWISE.

SOLDER TAIL	DIM. "A" ±.020/(0.51)
SHORT	-.150/(3.81)
LONG	-.210/(5.33)

BOARD LOCK	DIM. "B" ±.004/(0.15)
.062	.070/(1.78)
.094	.102/(2.59)
.125	.133/(3.38)

6	1
5	1
4	1
3	1
2	1
1	1

REV. 1 REVISE ONLY - 24 MARCH 2004 REVISE ALL DIMENSIONS DRAWING NUMBER: 2004/0105 CHK'D: JAL/AG APPR'D: S/TH APPROV'D DATE: 2004/01/05	QUALITY SYMBOLS ▽=0 ▽=0	GENERAL TOLERANCES (UNLESS SPECIFIED) <table border="1"> <tr><th></th><th>MIN</th><th>INCH</th></tr> <tr><td>4 PLACES ±---</td><td>±---</td><td>±---</td></tr> <tr><td>3 PLACES ±---</td><td>±.005</td><td>±---</td></tr> <tr><td>2 PLACES ±---</td><td>±.01</td><td>±---</td></tr> <tr><td>1 PLACE ±---</td><td>±.025</td><td>±---</td></tr> </table> ANGULAR ±1/2°		MIN	INCH	4 PLACES ±---	±---	±---	3 PLACES ±---	±.005	±---	2 PLACES ±---	±.01	±---	1 PLACE ±---	±.025	±---	DIMENSION STYLE: IN/MM SCALE: 3:1 DESIGN UNITS: INCH THIRD ANGLE PROJECTION	DRAWN BY: DC CHECKED BY: KBP APPROVED BY: RAS DATE: 11/30/95 DATE: 11/30/95 DATE: 11/30/95	TITLE: SABRE HEADER, ASSY VERTICAL, 2-6 & 8 CIR. .125/(3.18) X .020/(0.51) MOLEX INCORPORATED
		MIN	INCH																	
	4 PLACES ±---	±---	±---																	
	3 PLACES ±---	±.005	±---																	
2 PLACES ±---	±.01	±---																		
1 PLACE ±---	±.025	±---																		
DRAFT WHERE APPLICABLE MUST REMAIN WITHIN DIMENSIONS	MATERIAL NO.: SEE CHART DOCUMENT NO.: SDA-43160-****	SHEET NO.: 1 OF 6																		
THIS DRAWING CONTAINS INFORMATION THAT IS PROPRIETARY TO MOLEX INCORPORATED AND SHOULD NOT BE USED WITHOUT WRITTEN PERMISSION																				
10. frame, D.P. ME. T Rev. D 2004/04/02																				

19 18 17 16 15 14 13 12 11 10 9 8 7 6 5 4 3 2 1

VERTICAL HEADER ASSEMBLY ITEM NO.	PART CHARACTERISTICS FOR VERTICAL HEADER				PACKAGING SPECIFICATIONS
	CIRCUIT SIZE	HSG. MAT'L (SEE NOTE II)	SOLDER TAIL	BOARD LOCK	
43160-0102	2	A	SHORT	N/A	PK-43160-0010
43160-0302	2	A	LONG	N/A	PK-43789-001
43160-2102	2	A	SHORT	.062	PK-43789-001
43160-4102	2	A	SHORT	.094	PK-43789-001
43160-4302	2	A	LONG	.094	PK-43789-001
43160-6302	2	A	LONG	.125	PK-43789-001
43160-0103	3	A	SHORT	N/A	PK-43160-0010
43160-0303	3	A	LONG	N/A	PK-43789-001
43160-2103	3	A	SHORT	.062	PK-43789-001
43160-4103	3	A	SHORT	.094	PK-43789-001
43160-4303	3	A	LONG	.094	PK-43789-001
43160-6303	3	A	LONG	.125	PK-43789-001

VERTICAL HEADER ASSEMBLY ITEM NO.	PART CHARACTERISTICS FOR VERTICAL HEADER				PACKAGING SPECIFICATIONS
	CIRCUIT SIZE	HSG. MAT'L (SEE NOTE II)	SOLDER TAIL	BOARD LOCK	
43160-0104	4	A	SHORT	N/A	PK-43160-0010
43160-0304	4	A	LONG	N/A	PK-43789-001
43160-2104	4	A	SHORT	.062	PK-43789-001
43160-4104	4	A	SHORT	.094	PK-43789-001
43160-4304	4	A	LONG	.094	PK-43789-001
43160-6304	4	A	LONG	.125	PK-43789-001
43160-0105	5	A	SHORT	N/A	PK-43160-0010
43160-0305	5	A	LONG	N/A	PK-43789-001
43160-2105	5	A	SHORT	.062	PK-43789-001
43160-4105	5	A	SHORT	.094	PK-43789-001
43160-4305	5	A	LONG	.094	PK-43789-001
43160-6305	5	A	LONG	.125	PK-43789-001

VERTICAL HEADER ASSEMBLY ITEM NO.	PART CHARACTERISTICS FOR VERTICAL HEADER				PACKAGING SPECIFICATIONS
	CIRCUIT SIZE	HSG. MAT'L (SEE NOTE II)	SOLDER TAIL	BOARD LOCK	
43160-0106	6	A	SHORT	N/A	PK-43160-0010
43160-0306	6	A	LONG	N/A	PK-43789-001
43160-2106	6	A	SHORT	.062	PK-43789-001
43160-4106	6	A	SHORT	.094	PK-43789-001
43160-4306	6	A	LONG	.094	PK-43789-001
43160-6306	6	A	LONG	.125	PK-43789-001

REMOVE DIM. DIM. PINS SEE MOLEX DRAWING DRAWING NO. 2000/0105 CHECKED BY: CHIKO DAIJING APPROVED BY:	QUALITY SYMBOLS	GENERAL TOLERANCES (UNLESS SPECIFIED)	DIMENSION STYLE	SCALE	DESIGN UNITS	THIRD ANGLE PROJECTION	
	▼=0 ▽=0	4 PLACES ±.005 ±.005 3 PLACES ±.010 ±.010 2 PLACES ±0.13 ±.01 1 PLACE ±0.25 ±.01 ANGULAR ±1/2°	IN/MM INCH	DRAWN BY: DATE: 11/30/95 CHECKED BY: DATE: 11/30/95 APPROVED BY: DATE: 11/30/95 RAS	1:1	INCH	SABRE HEADER ASSY VERTICAL, 2-6 & 8 CIR.
		DRAFT WHERE APPLICABLE MUST REMAIN WITHIN DIMENSIONS	SEE CHART	PATENT NO.	DOCUMENT NO.	SHEET NO.	MOLEX INCORPORATED SDA-43160-**** 2 OF 6
				THIS DRAWING CONTAINS INFORMATION THAT IS PROPRIETARY TO MOLEX INCORPORATED AND SHOULD NOT BE USED WITHOUT WRITTEN PERMISSION			