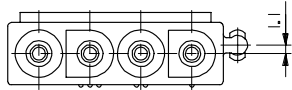
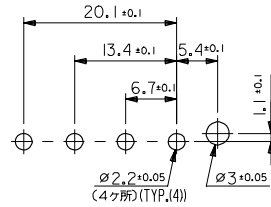
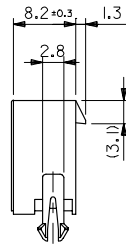
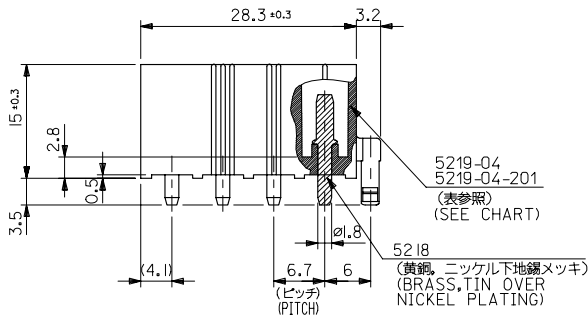


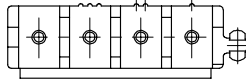
10 9 8 7 6 5 4 3 2 1



注記:
NOTES:
1. 適合リセプタクルハウジング: 3191-04R*
TO BE MATED WITH RECEPTACLE HOUSING :
3191-04R*



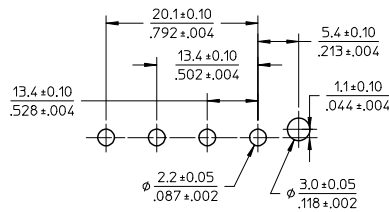
基板取付穴推奨寸法
RECOMMENDED P.C. BOARD HOLE DIMENSIONS



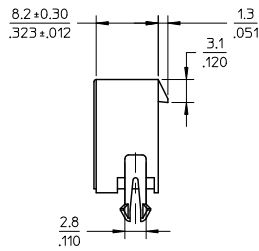
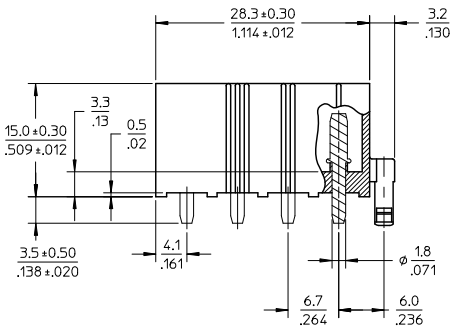
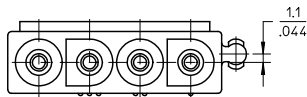
5219-04A-201	39-28-7048	NYLON66,94V-0
5219-04A	I5-31-1046	NYLON66,94V-2
ENG. NO.	EDP NO.	ハウジングの材質 MATERIAL

REVISED EC NO: J2006-0987 DRAWN: HABEI CHKD: KTOYODA APPR: NUKITA	2005/09/29	GENERAL TOLERANCES (UNLESS SPECIFIED)		DIMENSION STYLE MM ONLY		SCALE 2:1	DESIGN UNITS METRIC	THIRD ANGLE PROJECTION
	2005/09/30	10 UNDER ±0.2	30 UNDER ±0.25	DRAWN BY K. KOHAMA	DATE '00/05/29	TITLE NEW INTERNATIONAL CONN 4 POS. HEADER		
	2005/10/03	10 OVER ±0.25	30 OVER ±0.3	CHECKED BY M. FUKUSHIMA	DATE '00/05/29			
	M	DESCRIPTION	ANGULAR ±3 °	DRAFT WHERE APPLICABLE MUST REMAIN WITHIN DIMENSIONS	APPROVED BY M. FUKUSHIMA	DATE '00/05/29	MATERIAL NO. SEE CHART	DOCUMENT NO. SD-5219-003

CIRCUITS	EDP NO.	ENGINEERING NO.
4	15-31-1046	5219-04A

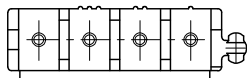


RECOMMENDED P.C.B. HOLE DIM.



NOTES:

- 1) MATERIAL:
HOUSING: NYLON 6/6, UL94V-2, COLOR: NATURAL
TERMINAL: C2700W BRASS
- 2) FINISH: 0.000003/(.0000001) MIN. TIN OVERALL OVER
0.000001/(.00000004) MIN. NICKEL OVERALL
- 3) PRODUCT SPECIFICATION: NONE
- 4) PACKAGING: NONE
- 5) MATES WITH: 3191-04R SERIES
- 6) PARTS CONFORM TO CLASS 'B' REQUIREMENTS OF COSMETIC SPECIFICATION PS-45499-002.



REMOVED DIMENSION EC NO: UCP2009-2076 DRAWN: TRENTS 2009/02/24 CHKD: HELMAG 2009/03/13 APPR: FSWITH 2009/04/15 DESCRIPTION	QUALITY SYMBOLS	GENERAL TOLERANCES (UNLESS SPECIFIED)	DIMENSION STYLE	SCALE	DESIGN UNITS	THIRD ANGLE PROJECTION	
	▽=0		IN/MM	2:1	METRIC		
	▽=0		mm INCH	DRAWN BY	DATE	TITLE	
			4 PLACES ± --- ± --- 3 PLACES ± --- ± .005 2 PLACES ± 0.13 ± .010 1 PLACE ± 0.25 ± ---	A. ASO 1979/04/08 CHECKED BY MENOMOTO 1979/04/10 APPROVED BY	NEW INTERNATIONAL CONN. HEADER AND ASSY		
K1	ANGULAR ± 1 °	DRAFT WHERE APPLICABLE MUST REMAIN WITHIN DIMENSIONS	MATERIAL NO.	DOCUMENT NO.	SHEET NO.		
			15-31-1046	SD-5219-04A*	1 OF 1		
			THIS DRAWING CONTAINS INFORMATION THAT IS PROPRIETARY TO MOLEX INCORPORATED AND SHOULD NOT BE USED WITHOUT WRITTEN PERMISSION				