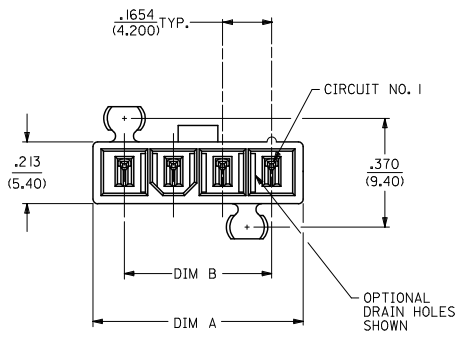
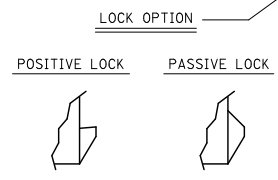
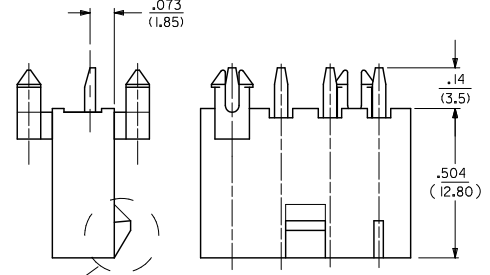
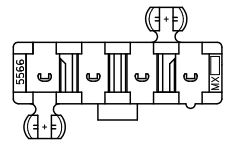


NOTES:

- MATERIALS:
HOUSING:
"BLANK"-NYLON 6/6, UL94 V-2, COLOR: NATURAL
"Z10"-NYLON 6/6, UL94 V-0, COLOR: NATURAL
"BL"-NYLON 6/6, UL94 V-2, COLOR: BLACK
TERMINALS:
BRASS
- TERMINAL PLATING:
"BLANK"-.000035/(0.00090) MIN. BRIGHT TIN OVER
.000020/(0.00050) MIN. COPPER
*GS2-.000015/(0.00038) MIN. SELECT GOLD AND
.000100/(0.00254) MIN. SELECT MATTE TIN
OVER .000050/(0.00127) MIN. NICKEL OVERALL
*GS-.000030/(0.00076) MIN. SELECT GOLD AND
.000100/(0.00254) MIN. SELECT MATTE TIN
OVER .000050/(0.00127) MIN. NICKEL OVERALL
S-.000100/(0.00254) MIN. BRIGHT TIN OVER
.000050/(0.00127) MIN. NICKEL
*THE PRIMARY SHIPPING CARTON WILL BE LABELED
"ELV AND RoHS COMPLIANT", CARTONS WITHOUT
THIS LABEL MAY CONTAIN PRODUCT WITH
TIN-LEAD PLATING.
- PRODUCT SPECIFICATION: PS-5566-001
- PACKAGING: TRAY PACKED PER FK-5566-002
- PART MATES WITH MINI-FIT JR. RECEPTACLE NO. 5557.
- PART IS NOT DESIGNED FOR CURRENT SHARING.
- PARTS ARE NOT TO BE MATED OR UN-MATED WHILE
CIRCUITS ARE LIVE.
- PART CONFORMS TO CLASS 'B' REQUIREMENTS OF
COSMETIC SPECIFICATION PS-45499-002.

CKT SIZE	DIM A	DIM B
4	.709 (18.00)	.496 (12.60)
5	.874 (22.20)	.661 (16.80)
6	1.039 (26.40)	.827 (21.00)
7	1.205 (30.60)	.992 (25.20)
8	1.370 (34.80)	1.157 (29.40)
9	1.535 (39.00)	1.323 (33.60)
10	1.701 (43.20)	1.488 (37.80)
11	1.866 (47.40)	1.654 (42.00)
12	2.031 (51.60)	1.819 (46.20)



LEGEND:

5566 - N - * - * - *

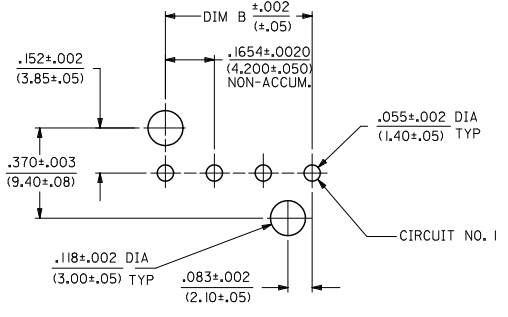
CIRCUIT SIZE (04-12)

ASSEMBLY TYPE
A=W/O DRAIN HOLES
B=WITH DRAIN HOLES

PEG AND LOCK OPTION
3=MTG, PEGS, POSITIVE LOCK
4=MTG, PEGS, PASSIVE LOCK

PLATING (SEE NOTE 2)

HOUSING MAT'L (SEE NOTE 1)



RECOMMENDED HOLE LAYOUT FOR
.070 (1.78) MAX. THICK P. C. BOARD
VIEWED FROM COMPONENT SIDE

ADD PART #S EC NO: UCP2010-1922 DRAWN: BRENNES 2009/02/10 CHKD: BELL 2010/02/12 APPR: SMITH 2010/02/15	QUALITY SYMBOLS ▽=0 ▽=0	GENERAL TOLERANCES (UNLESS SPECIFIED)		DIMENSION STYLE IN/MM		SCALE 1:1	DESIGN UNITS METRIC	THIRD ANGLE PROJECTION
		4 PLACES ±.005 ±.005 3 PLACES ±.005 ±.015 2 PLACES ±0.38 ±.005 1 PLACE ±.005 ±.005	mm INCH ±.005 ±.005 ±.015 ±.015 ±0.38 ±.005 ±.005 ±.005	DRAWN BY KSS CHECKED BY JTR APPROVED BY RAS	DATE 1989/02/19 DATE 1989/02/19 DATE 1989/02/19	TITLE VERTICAL HEADER ASSY W/& W/O PEG & DRAIN HOLE MINI-FIT JR SINGLE ROW		
MATERIAL NO. SDA-5566-NL* DOCUMENT NO. SDA-5566-NL*		DRAFT WHERE APPLICABLE MUST REMAIN WITHIN DIMENSIONS		SEE CHART		MOLEX INCORPORATED		SHEET NO. 1 OF 4

4	M
3	M
2	K1
1	M
SHEET REV	

POSITIVE LOCK WITH MTG. PEGS, 94V-2 HOUSING MATERIAL				PASSIVE LOCK WITH MTG. PEGS, 94V-2 HOUSING MATERIAL			
PART NO	ENG NO	CKT DRAIN SIZE/HOLE	PLATING OPTION	PART NO	ENG NO	CKT DRAIN SIZE/HOLE	PLATING OPTION
39-30-2045	5566-04B3	4	YES	NO E.D.P.	5566-04B4	4	YES
39-30-2055	5566-05B3	5	YES	NO E.D.P.	5566-05B4	5	YES
39-30-2065	5566-06B3	6	YES	NO E.D.P.	5566-06B4	6	YES
39-30-2075	5566-07B3	7	YES	NO E.D.P.	5566-07B4	7	YES
39-30-2085	5566-08B3	8	YES	NO E.D.P.	5566-08B4	8	YES
39-30-2095	5566-09B3	9	YES	NO E.D.P.	5566-09B4	9	YES
39-30-2105	5566-10B3	10	YES	NO E.D.P.	5566-10B4	10	YES
39-30-2115	5566-11B3	11	YES	NO E.D.P.	5566-11B4	11	YES
39-30-2125	5566-12B3	12	YES	NO E.D.P.	5566-12B4	12	YES
39-30-1049	5566-04A3	4	NO	NO E.D.P.	5566-04A4	4	NO
39-30-1059	5566-05A3	5	NO	NO E.D.P.	5566-05A4	5	NO
39-30-1069	5566-06A3	6	NO	NO E.D.P.	5566-06A4	6	NO
39-30-1079	5566-07A3	7	NO	NO E.D.P.	5566-07A4	7	NO
39-30-1089	5566-08A3	8	NO	NO E.D.P.	5566-08A4	8	NO
39-30-1099	5566-09A3	9	NO	NO E.D.P.	5566-09A4	9	NO
39-30-1109	5566-10A3	10	NO	NO E.D.P.	5566-10A4	10	NO
39-30-1119	5566-11A3	11	NO	NO E.D.P.	5566-11A4	11	NO
39-30-1129	5566-12A3	12	NO	NO E.D.P.	5566-12A4	12	NO
39-30-2047	5566-04B3GS	4	YES	NO E.D.P.	5566-04B4GS	4	YES
39-30-2057	5566-05B3GS	5	YES	NO E.D.P.	5566-05B4GS	5	YES
39-30-2067	5566-06B3GS	6	YES	NO E.D.P.	5566-06B4GS	6	YES
39-30-2077	5566-07B3GS	7	YES	NO E.D.P.	5566-07B4GS	7	YES
39-30-2087	5566-08B3GS	8	YES	NO E.D.P.	5566-08B4GS	8	YES
39-30-2097	5566-09B3GS	9	YES	NO E.D.P.	5566-09B4GS	9	YES
39-30-2107	5566-10B3GS	10	YES	NO E.D.P.	5566-10B4GS	10	YES
39-30-2117	5566-11B3GS	11	YES	NO E.D.P.	5566-11B4GS	11	YES
39-30-2127	5566-12B3GS	12	YES	NO E.D.P.	5566-12B4GS	12	YES
39-30-2041	5566-04A3GS	4	NO	NO E.D.P.	5566-04A4GS	4	NO
39-30-2051	5566-05A3GS	5	NO	NO E.D.P.	5566-05A4GS	5	NO
39-30-2061	5566-06A3GS	6	NO	NO E.D.P.	5566-06A4GS	6	NO
39-30-2071	5566-07A3GS	7	NO	NO E.D.P.	5566-07A4GS	7	NO
39-30-2081	5566-08A3GS	8	NO	NO E.D.P.	5566-08A4GS	8	NO
39-30-2091	5566-09A3GS	9	NO	NO E.D.P.	5566-09A4GS	9	NO
39-30-2101	5566-10A3GS	10	NO	NO E.D.P.	5566-10A4GS	10	NO
39-30-2111	5566-11A3GS	11	NO	NO E.D.P.	5566-11A4GS	11	NO
39-30-2121	5566-12A3GS	12	NO	NO E.D.P.	5566-12A4GS	12	NO

POSITIVE LOCK WITH MTG. PEGS, 94V-0 HOUSING MATERIAL				PASSIVE LOCK WITH MTG. PEGS, 94V-0 HOUSING MATERIAL			
PART NO	ENG NO	CKT DRAIN SIZE/HOLE	PLATING OPTION	PART NO	ENG NO	CKT DRAIN SIZE/HOLE	PLATING OPTION
39-30-2046	5566-04B3-2/0	4	YES	NO E.D.P.	5566-04B4-2/0	4	YES
39-30-2056	5566-05B3-2/0	5	YES	NO E.D.P.	5566-05B4-2/0	5	YES
39-30-2066	5566-06B3-2/0	6	YES	NO E.D.P.	5566-06B4-2/0	6	YES
39-30-2076	5566-07B3-2/0	7	YES	NO E.D.P.	5566-07B4-2/0	7	YES
39-30-2086	5566-08B3-2/0	8	YES	NO E.D.P.	5566-08B4-2/0	8	YES
39-30-2096	5566-09B3-2/0	9	YES	NO E.D.P.	5566-09B4-2/0	9	YES
39-30-2106	5566-10B3-2/0	10	YES	NO E.D.P.	5566-10B4-2/0	10	YES
39-30-2116	5566-11B3-2/0	11	YES	NO E.D.P.	5566-11B4-2/0	11	YES
39-30-2126	5566-12B3-2/0	12	YES	NO E.D.P.	5566-12B4-2/0	12	YES
39-30-2040	5566-04A3-2/0	4	NO	NO E.D.P.	5566-04A4-2/0	4	NO
39-30-2050	5566-05A3-2/0	5	NO	NO E.D.P.	5566-05A4-2/0	5	NO
39-30-2060	5566-06A3-2/0	6	NO	NO E.D.P.	5566-06A4-2/0	6	NO
39-30-2070	5566-07A3-2/0	7	NO	NO E.D.P.	5566-07A4-2/0	7	NO
39-30-2080	5566-08A3-2/0	8	NO	NO E.D.P.	5566-08A4-2/0	8	NO
39-30-2090	5566-09A3-2/0	9	NO	NO E.D.P.	5566-09A4-2/0	9	NO
39-30-2100	5566-10A3-2/0	10	NO	NO E.D.P.	5566-10A4-2/0	10	NO
39-30-2110	5566-11A3-2/0	11	NO	NO E.D.P.	5566-11A4-2/0	11	NO
39-30-2120	5566-12A3-2/0	12	NO	NO E.D.P.	5566-12A4-2/0	12	NO
39-30-2048	5566-04B3GS-2/0	4	YES	NO E.D.P.	5566-04B4GS-2/0	4	YES
39-30-2058	5566-05B3GS-2/0	5	YES	NO E.D.P.	5566-05B4GS-2/0	5	YES
39-30-2068	5566-06B3GS-2/0	6	YES	NO E.D.P.	5566-06B4GS-2/0	6	YES
39-30-2078	5566-07B3GS-2/0	7	YES	NO E.D.P.	5566-07B4GS-2/0	7	YES
39-30-2088	5566-08B3GS-2/0	8	YES	NO E.D.P.	5566-08B4GS-2/0	8	YES
39-30-2098	5566-09B3GS-2/0	9	YES	NO E.D.P.	5566-09B4GS-2/0	9	YES
39-30-2108	5566-10B3GS-2/0	10	YES	NO E.D.P.	5566-10B4GS-2/0	10	YES
39-30-2118	5566-11B3GS-2/0	11	YES	NO E.D.P.	5566-11B4GS-2/0	11	YES
39-30-2128	5566-12B3GS-2/0	12	YES	NO E.D.P.	5566-12B4GS-2/0	12	YES
39-30-2042	5566-04A3GS-2/0	4	NO	NO E.D.P.	5566-04A4GS-2/0	4	NO
39-30-2052	5566-05A3GS-2/0	5	NO	NO E.D.P.	5566-05A4GS-2/0	5	NO
39-30-2062	5566-06A3GS-2/0	6	NO	NO E.D.P.	5566-06A4GS-2/0	6	NO
39-30-2072	5566-07A3GS-2/0	7	NO	NO E.D.P.	5566-07A4GS-2/0	7	NO
39-30-2082	5566-08A3GS-2/0	8	NO	NO E.D.P.	5566-08A4GS-2/0	8	NO
39-30-2092	5566-09A3GS-2/0	9	NO	NO E.D.P.	5566-09A4GS-2/0	9	NO
39-30-2102	5566-10A3GS-2/0	10	NO	NO E.D.P.	5566-10A4GS-2/0	10	NO
39-30-2112	5566-11A3GS-2/0	11	NO	NO E.D.P.	5566-11A4GS-2/0	11	NO
39-30-2122	5566-12A3GS-2/0	12	NO	NO E.D.P.	5566-12A4GS-2/0	12	NO

SEE SHEET 1
 EC NO: UCP2006-1990 2006/07/28
 DRAWN BY: MVL 2006/07/28
 CHKD BY: RJC 2006/07/28
 APPR: JCMERC 2006/07/28

QUALITY SYMBOLS
 ▽=0
 ▽=0
 ▽=0

GENERAL TOLERANCES (UNLESS SPECIFIED)		DIMENSION STYLE IN/MM		SCALE ---	DESIGN UNITS METRIC	THIRD ANGLE PROJECTION
4 PLACES	± .001	+	INCH	DRAWN BY SEP	DATE 1989/07/13	TITLE VERTICAL HEADER ASSY W/ PEG AND DRAIN OPTIONS MINI-FIT JR SINGLE ROW
3 PLACES	± .002	+		CHECKED BY RJC	DATE 1989/07/13	MOLEX INCORPORATED
2 PLACES	± .005	+		APPROVED BY RAS	DATE 1989/07/13	
1 PLACE	± .010	+		MATERIAL NO. SEE CHART		DOCUMENT NO. SDA-5566-NL*
DRAFT WHERE APPLICABLE MUST REMAIN WITHIN DIMENSIONS		SIZE C		SHEET NO. 2 OF 4		

PASSIVE LOCK WITH MTG. PEGS, 94V-2 BLACK HOUSING												
PART NO	ENG NO	CKT DRAIN SIZE/HOLE	PLATING OPTION									
50-29-1528	5566-04A3-BL	04 NO	TIN OVER COPPER									
50-29-1529	5566-05A3-BL	05 NO	TIN OVER COPPER									
50-29-1530	5566-06A3-BL	06 NO	TIN OVER COPPER									
50-29-1531	5566-07A3-BL	07 NO	TIN OVER COPPER									
50-29-1532	5566-08A3-BL	08 NO	TIN OVER COPPER									
50-29-1533	5566-09A3-BL	09 NO	TIN OVER COPPER									
50-29-1534	5566-10A3-BL	10 NO	TIN OVER COPPER									
50-29-1535	5566-11A3-BL	11 NO	TIN OVER COPPER									
50-29-1536	5566-12A3-BL	12 NO	TIN OVER COPPER									
26-01-3762	5566-04A3S-BL	04 NO	TIN OVER NICKEL									
26-01-3763	5566-05A3S-BL	05 NO	TIN OVER NICKEL									
		06										
		07										
		08										
		09										
		10										
		11										
		12										
		04										
		05										
		06										
		07										
		08										
		09										
		10										
		11										
		12										
		04										
		05										
		06										
		07										
		08										
		09										
		10										
		11										
		12										

POSITIVE LOCK WITH MTG. PEGS, 94V-2 HOUSING MATERIAL												
PART NO	ENG NO	CKT DRAIN SIZE/HOLE	PLATING OPTION									
39-30-5049	5566-04B3S	04 YES	TIN OVER NICKEL									
NO EDP	5566-05B3S	05 YES	TIN OVER NICKEL									
NO EDP	5566-06B3S	06 YES	TIN OVER NICKEL									
NO EDP	5566-07B3S	07 YES	TIN OVER NICKEL									
NO EDP	5566-08B3S	08 YES	TIN OVER NICKEL									
NO EDP	5566-09B3S	09 YES	TIN OVER NICKEL									
NO EDP	5566-10B3S	10 YES	TIN OVER NICKEL									
NO EDP	5566-11B3S	11 YES	TIN OVER NICKEL									
NO EDP	5566-12B3S	12 YES	TIN OVER NICKEL									
50-36-2453	5566-04A3S	04 NO	TIN OVER NICKEL									
50-36-2454	5566-05A3S	05 NO	TIN OVER NICKEL									
		06										
		07										
		08										
		09										
		10										
		11										
		12										
		04										
		05										
		06										
		07										
		08										
		09										
		10										
		11										
		12										

PASSIVE LOCK WITH MTG. PEGS, 94V-2 HOUSING MATERIAL												
PART NO	ENG NO	CKT DRAIN SIZE/HOLE	PLATING OPTION									
50-29-1528	5566-04A3-BL	04 NO	TIN OVER COPPER									
50-29-1529	5566-05A3-BL	05 NO	TIN OVER COPPER									
50-29-1530	5566-06A3-BL	06 NO	TIN OVER COPPER									
50-29-1531	5566-07A3-BL	07 NO	TIN OVER COPPER									
50-29-1532	5566-08A3-BL	08 NO	TIN OVER COPPER									
50-29-1533	5566-09A3-BL	09 NO	TIN OVER COPPER									
50-29-1534	5566-10A3-BL	10 NO	TIN OVER COPPER									
50-29-1535	5566-11A3-BL	11 NO	TIN OVER COPPER									
50-29-1536	5566-12A3-BL	12 NO	TIN OVER COPPER									
26-01-3762	5566-04A3S-BL	04 NO	TIN OVER NICKEL									
26-01-3763	5566-05A3S-BL	05 NO	TIN OVER NICKEL									
		06										
		07										
		08										
		09										
		10										
		11										
		12										
		04										
		05										
		06										
		07										
		08										
		09										
		10										
		11										
		12										
		04										
		05										
		06										
		07										
		08										
		09										
		10										
		11										
		12										

POSITIVE LOCK WITH MTG. PEGS, 94V-2 HOUSING MATERIAL												
PART NO	ENG NO	CKT DRAIN SIZE/HOLE	PLATING OPTION									
39-30-5049	5566-04B3S	04 YES	TIN OVER NICKEL									
NO EDP	5566-05B3S	05 YES	TIN OVER NICKEL									
NO EDP	5566-06B3S	06 YES	TIN OVER NICKEL									
NO EDP	5566-07B3S	07 YES	TIN OVER NICKEL									
NO EDP	5566-08B3S	08 YES	TIN OVER NICKEL									
NO EDP	5566-09B3S	09 YES	TIN OVER NICKEL									
NO EDP	5566-10B3S	10 YES	TIN OVER NICKEL									
NO EDP	5566-11B3S	11 YES	TIN OVER NICKEL									
NO EDP	5566-12B3S	12 YES	TIN OVER NICKEL									
50-36-2453	5566-04A3S	04 NO	TIN OVER NICKEL									
50-36-2454	5566-05A3S	05 NO	TIN OVER NICKEL									
		06										
		07										
		08										
		09										
		10										
		11										
		12										
		04										
		05										
		06										
		07										
		08										
		09										
		10										
		11										
		12										

ib_frame_C.P.M.E.T Rev. D 2004/04/02	12	11	10	9	8	7	6	5	4	3	2	1
---	----	----	----	---	---	---	---	---	---	---	---	---

SEE SHEET 1 EC NO: UCP2010-1922 2009/02/12 DRAWN: IRENE 2010/02/12 CHKD: BELL 2010/02/15 APPR: SMITH	QUALITY SYMBOLS	GENERAL TOLERANCES (UNLESS SPECIFIED)	DIMENSION STYLE	SCALE	DESIGN UNITS	THIRD ANGLE PROJECTION	
	$\nabla = 0$ $\triangle = 0$	4 PLACES ± --- INCH 3 PLACES ± --- mm 2 PLACES ± --- INCH 1 PLACE ± --- mm ANGULAR ± --- °	IN/MM	1:1	METRIC		
	DRAFT WHERE APPLICABLE MUST REMAIN WITHIN DIMENSIONS	SEE CHART	DRAWN BY: GEP DATE: 1989/07/13 CHECKED BY: RJF DATE: 1989/07/13 APPROVED BY: RAS DATE: 1989/07/13	TITLE: VERTICAL HEADER ASSY W/ PEG AND DRAIN OPTIONS MINI-FIT JR SINGLE ROW MOLEX INCORPORATED	THIS DRAWING CONTAINS INFORMATION THAT IS PROPRIETARY TO MOLEX INCORPORATED AND SHOULD NOT BE USED WITHOUT WRITTEN PERMISSION		
	REV	DESCRIPTION	MATERIAL NO.	DOCUMENT NO.	SHEET NO.		