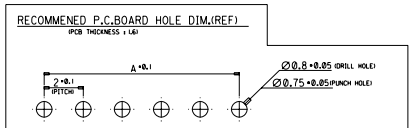
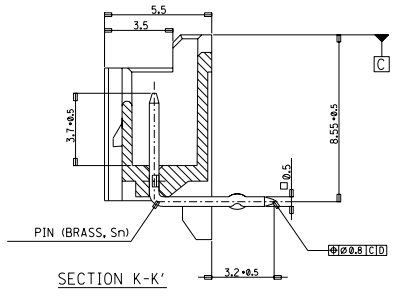
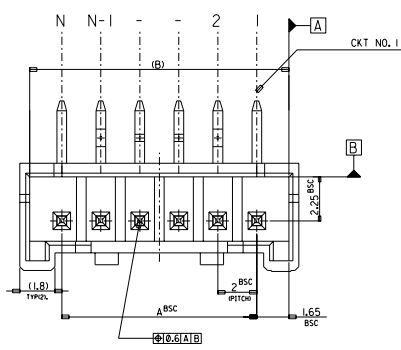


DWG. NO. SD-35363-002
 SIMILAR ITEM
 PROJECT NO.
 C
 B
 DO NOT SCALE DRAWING DIMENSION IN METRIC

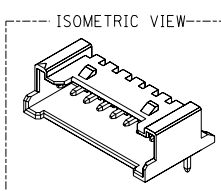
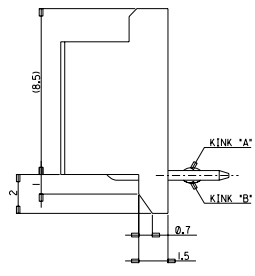
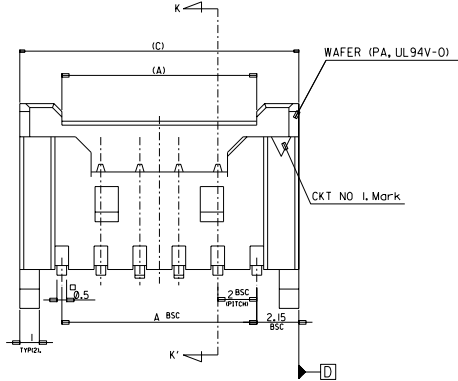
LEAD FREE



LEGEND

SD-35363-**-6*
 CTX NO. → ** → COLOR
 LEAD FREE → *

0	: NATURAL
1	: BLACK
2	: RED
3	: YELLOW
4	: BLUE
5	: GREEN



32.3	31.3	28	-156*	-156*	15
30.3	29.3	26	-146*	-146*	14
28.3	27.3	24	-136*	-136*	13
26.3	25.3	22	-126*	-126*	12
24.3	23.3	20	-116*	-116*	11
22.3	21.3	18	-106*	-106*	10
20.3	19.3	16	-096*	-096*	9
18.3	17.3	14	-086*	-086*	8
16.3	15.3	12	-076*	-076*	7
14.3	13.3	10	-066*	-066*	6
12.3	12.3	8	-056*	-056*	5
10.3	9.3	6	35363046*	35363-046*	4
(C)	(B)	A	MATERIAL NO.	ENG. NO.	CKT

- NOTES
- MATERIAL : WAFER : POLYAMIDE(PA), NO GLASS, UL94V-0
PIN : BRASS
 - FINISHES : TERMINAL : Sn 2+3um OVERALL
 - PRODUCT SPECIFICATION : PS-35507-003
 - MATING HOUSING : 35507-**-0*
MATING TERMINAL : 50212-80000
 - KINK

CKT NO	1	2	3	4	5	N-2	N-1	N
6 CKT OVER	-	A	B	-	-	B	A	-
5 CKT	A	B	-	B	A	-	-	-
4 CKT	A	B	B	A	-	-	-	-

30 over	±0.3
10 over 30 under	±0.25
10 under	±0.2
ANGLE	±3°
GENERAL TOLERANCE	A

Release KOR2004-0137
 EC NO. KOR2004-0137
 DRWN: YSOOKIM 04/02/24
 CHKS: JKOH
 APPR: CWLEE

QUALITY SYMBOLS
 MAJOR = ▽
 CRITICAL = ▽
 C =

DESCRIPTION
 REY

GENERAL TOLERANCES: (UNLESS SPECIFIED)

	mm	INCH
4 PLACES	±0.	±.
3 PLACES	±0.	±.
2 PLACES	±0.	±.
1 PLACE	±0.	±.
ANGULAR	±	±

DRAFT WHERE APPLICABLE MUST REMAIN WITHIN DIMENSIONS

SCALE 1 : 1
 DESIGN UNITS mm INCH
 THIRD ANGLE PROJECTION THIRD ANGLE FIRST ANGLE

DRAWN BY & DATE: YSOOKIM 96/09/11
 CHECKED BY & DATE: J.K.Oh 96/09/11
 APPROVED BY & DATE: C.W.Lee 96/09/11

CAD FILENAME: SD35363-002S1.DGN
 MATERIAL NO.: SEE NOTE
 DRAWING NO.: SD-35363-002
 SHEET NO.: 1 OF 3

TITLE: NEW 2.0 W/B CONN
 WAFER ASSY (R/A) (LEAD FREE)

MOLEX INCORPORATED

THIS DRAWING CONTAINS INFORMATION THAT IS PROPRIETARY TO MOLEX INCORPORATED AND SHOULD NOT BE USED WITHOUT WRITTEN PERMISSION.

SHT REV
 REVISE ON CAD ONLY

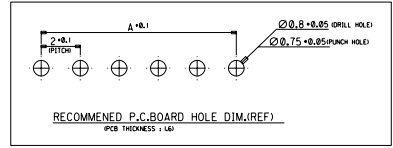
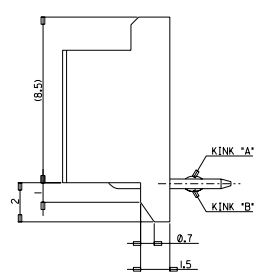
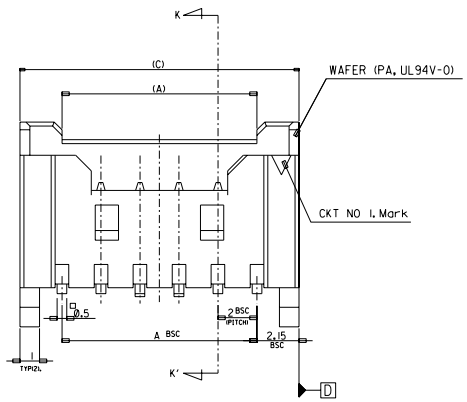
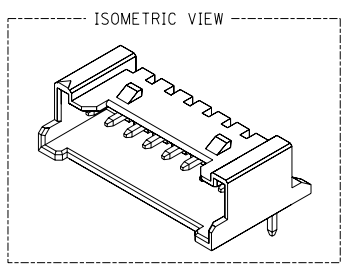
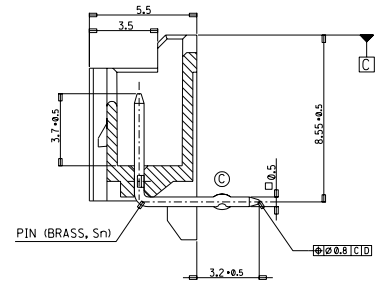
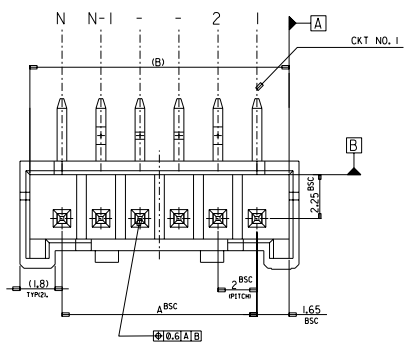
SIZE B

MX-A3

DWG. NO. SD-35363-002
 SIMILAR ITEM
 PROJECT NO.
 C
 B
 DO NOT SCALE DRAWING DIMENSION IN METRIC

8 7 6 5 4 3 2 1

LEAD FREE



LEGEND	
SD-35363-***6	COLOR
0	NATURAL
1	BLACK
2	RED
3	YELLOW
4	BLUE
5	GREEN

42.3	41.3	38	35363206*	35363-206*	20
(C)	(B)	A	MATERIAL NO.	ENG. NO.	CKT

- NOTES**
- MATERIAL : WAFER : POLYAMIDE(PA), NO GLASS, UL94V-0
PIN : BRASS
 - FINISHES : TERMINAL : Sn 2+3um OVERALL
 - PRODUCT SPECIFICATION : PS-35507-003
 - MATING HOUSING : 35507-***0
MATING TERMINAL : 50212-8000
 - KINK

CKT NO	1	2	3	4	N-3	N-2	N-1	N
20	-	A	B	-	-	B	A	-

30 over	±0.3
10 over 30 under	±0.25
10 under	±0.2
ANGLE	±3°
GENERAL TOLERANCE	

Release	EC NO. KOR2004-0037	DRWN: YS00KIM	04/02/24	CHK: JIKOH	APPR: CWLEE
REY	DESCRIPTION				
	MAJOR				
	CRITICAL				
	C				

QUALITY SYMBOLS	
MAJOR	▲
CRITICAL	▽
C	□

GENERAL TOLERANCES: (UNLESS SPECIFIED)	SCALE 1 : 1	DESIGN UNITS	THIRD ANGLE PROJECTION
4 PLACES ±0.	mm	mm	<input checked="" type="checkbox"/> mm ONLY
3 PLACES ±0.	INCH	INCH	<input type="checkbox"/> INCH ONLY
2 PLACES ±0.			
1 PLACE ±0.			
ANGULAR: ±			
DRAFT WHERE APPLICABLE MUST REMAIN WITHIN DIMENSIONS			

DRAWN BY & DATE	YS00KIM 98/04/23	TITLE:	NEW 2.0 W/B CONN
CHECKED BY & DATE	J.K.Oh 98/04/23	WAFER ASSY (R/A) (LEAD FREE)	
APPROVED BY & DATE	C.W.Lee 98/04/23	MOLEX INCORPORATED	
CAD FILENAME	SD35363-002S3.DGN	MATERIAL NO.	SEE NOTE
		DRAWING NO.	SD-35363-002
		SHEET NO.	3 OF 3
THIS DRAWING CONTAINS INFORMATION THAT IS PROPRIETARY TO MOLEX INCORPORATED AND SHOULD NOT BE USED WITHOUT WRITTEN PERMISSION.			SIZE B

8 7 6 5 4 3 2 1

MX-A3