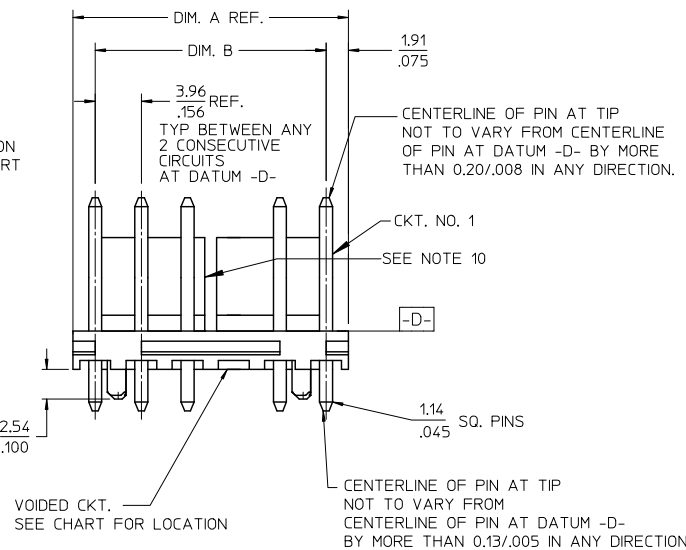
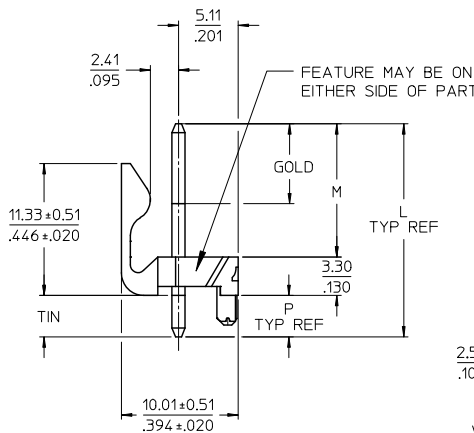


6 5 4 3 2 1



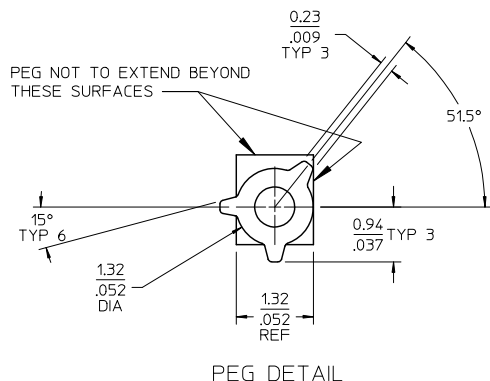
| CKTS. | DIM. A | DIM. B | SLOT LOC BETWEEN CKTS |
|-------|----------------|---------------------------|-----------------------|
| 2 | 7.77 .306 | 3.96+0.05 .156+0.002 | NONE |
| 3 | 11.73 .462 | 7.92+0.08 .312+0.003 | NONE |
| 4 | 15.70 .618 | 11.89+0.08 .468+0.003 | NONE |
| 5 | 19.66 .774 | 15.85+0.10 .624+0.004 | NONE |
| 6 | 23.62 .930 | 19.81+0.10 .780+0.004 | 3 & 4 |
| 7 | 27.58 1.086 | 23.77+0.10 .936+0.004 | 4 & 5 |
| 8 | 31.55 1.242 | 27.74+0.13 1.092+0.005 | 4 & 5 |
| 9 | 35.51 1.398 | 31.70+0.13 1.248+0.005 | 5 & 6 |
| 10 | 39.47 1.554 | 35.66+0.13 1.404+0.005 | 5 & 6 |
| 11 | 43.43 1.710 | 39.62+0.15 1.560+0.006 | 6 & 7 |
| 12 | 47.40 1.866 | 43.59+0.15 1.716+0.006 | 4 & 5 8 & 9 |

| | | |
|------------|------|------|
| GEN. DOCS. | 3-* | F4 |
| ANNOTATOR | 1-2 | F5 |
| SOFTWARE | SHT. | REV. |

| | | | | | | | |
|---|---|--|--|--|--|--|------------------|
| ADD SLOT EC NO: UCP2009-2603 DRW:MKIPPER 2009/05/04 CHKD:SSOUSEK 2009/05/04 APPR:FSMITH 2009/05/04 REV F5 | QUALITY SYMBOLS ▽=0 ▽=0 | GENERAL TOLERANCES (UNLESS SPECIFIED) 4 PLACES ± --- ± --- 3 PLACES ± --- ± .010 2 PLACES ± 0.25 ± .015 1 PLACE ± 0.38 ± --- ANGULAR ± 1/2° | DIMENSION STYLE MM/IN DRAWN BY: SCHAFFER CHECKED BY: SAMIEC APPROVED BY: MARGULIS MATERIAL NO. SEE CHART | DATE: 11-14-03 DATE: 11-14-03 DATE: 11-14-03 | SCALE: 2:1 DESIGN UNITS: INCH THIRD ANGLE PROJECTION | TITLE: KK 156 HEADER ASSEMBLY FRICTION LOCK VERTICAL PEGS MOLEX INCORPORATED DOCUMENT NO. SD-42491-001 | SHEET NO. 1 OF 2 |
| | DRAFT WHERE APPLICABLE MUST REMAIN WITHIN DIMENSIONS | | | | | | |
| | THIS DRAWING CONTAINS INFORMATION THAT IS PROPRIETARY TO MOLEX INCORPORATED AND SHOULD NOT BE USED WITHOUT WRITTEN PERMISSION | | | | | | |
| | SIZE A | | | | | | |

tb_frame_A_P_AM_T
Rev. E 2006/04/15

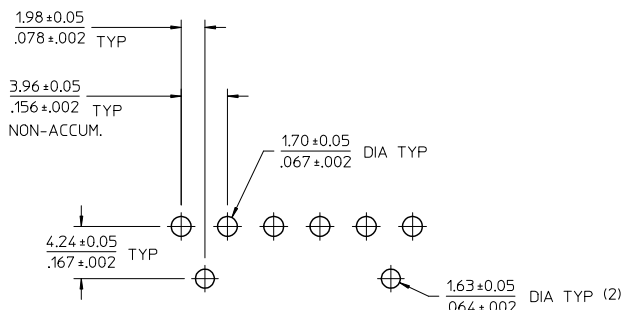
5 4 3 2 1



PEG DETAIL

NOTES:

1. MATERIAL: HEADER-POLYESTER, 94V-0, MOLDED NATURAL (WHITE)
PINS: BRASS
2. FINISHES: (102) TIN 0.00508/.000200 MIN. OVER 0.00254/.000100 MIN. COPPER.
(208) SELECT GOLD 0.00038/.000015 MIN. SELECT TIN 0.00254/.000100 MIN. OVER NICKEL
(228) SELECT GOLD 0.00076/.000030 MIN. SELECT TIN 0.00254/.000100 MIN. OVER NICKEL
3. PRODUCT SPECIFICATION: SEE PS-08-50.
4. PACKAGING INFORMATION: SEE CHARTS.
5. SOLDERABILITY: WHEN PARTS ARE SOLDERED AT A TEMPERATURE OF 230°C (446°F) FOR 5 SECONDS, EACH SOLDERED SURFACE SHALL BE A MINIMUM OF 95% COVERED.
6. PIN PUSH OUT FORCE: PRIOR TO SOLDERING = 3 LB MINIMUM FORCE (IN EITHER DIRECTION) SHALL BE REQUIRED TO PUSH THE PIN OUT OF THE HEADER.
7. PARTS ARE STACKABLE END TO END ON (3.96)/.156 CENTERS.
8. FOR PART WITHOUT PEGS SEE DWG. NO. SDA-41791.
9. THIS PART CONFORMS TO CLASS B REQUIREMENTS OF COSMETIC SPECIFICATION PS-45499-002.
10. SLOTS ON BACKWALL ARE BETWEEN CIRCUITS. SEE CHART FOR LOCATION.



PCB LAYOUT: COMPONENT SIDE

| | | | | | | | | | | |
|---|-------------------------------|--|-----------------------|---|----------------------|-------------------------|----------------------|------------------------|---|------------------------------|
| SEE SHEET 1 EC NO: UCP2009-2603 DRAWN:MKIPPER 2009/05/04 CHKD:SSOUSEK 2009/05/04 APPR:FSMITH 2009/05/04 | QUALITY SYMBOLS ▽=0 ▽=0 | GENERAL TOLERANCES (UNLESS SPECIFIED) | | DIMENSION STYLE MM/IN | | SCALE 1:1 | DESIGN UNITS INCH | THIRD ANGLE PROJECTION | | |
| | | 4 PLACES ± --- ± --- | 3 PLACES ± --- ± .010 | 2 PLACES ± 0.25 ± .015 | 1 PLACE ± 0.38 ± --- | ANGULAR ± 1/2° | DRAWN BY SCHAFFER | DATE 11-14-03 | TITLE KK 156 HEADER ASSEMBLY FRICTION LOCK VERTICAL PEGS | |
| | | DRAFT WHERE APPLICABLE MUST REMAIN WITHIN DIMENSIONS | | SEE CHART | | APPROVED BY MARGULIS | | DATE 11-14-03 | MATERIAL NO. | DOCUMENT NO. SD-42491-001 |
| | | SIZE A | | THIS DRAWING CONTAINS INFORMATION THAT IS PROPRIETARY TO MOLEX INCORPORATED AND SHOULD NOT BE USED WITHOUT WRITTEN PERMISSION | | | | | | |

tb_frame_A_P_AM_T
Rev. E 2006/04/15

5

4

3

2

1

| OPTIONS | Group | A-42491-0002/0018 | Group | A-42491-0312/0328 | Group | A-42491-0329/0345 | Group | |
|----------|--------------|-------------------|--------------|-------------------|--------------|-------------------|--------------|-----------------|
| | Header No: | 41790-0019/0035 | Header No: | 41790-0019/0035 | Header No: | 41790-0019/0035 | Header No: | |
| | Pin No: | 2161-94(102) | Pin No: | 43294-0209 | Pin No: | 43294-0210 | Pin No: | |
| | Plating: | 102 – TIN | Plating: | 208 – 15 GOLD | Plating: | 228 – 30 GOLD | Plating: | |
| | Pin Length L | 18.29 / .720 | Pin Length L | 18.29/. 720 | Pin Length L | 18.29/. 720 | Pin Length L | |
| | Mating M | 11.43 / .450 | Mating M | 11.43/. 450 | Mating M | 11.43/. 450 | Mating M | |
| | Gold Loc G | N/A | Gold Loc G | 6.86/. 270 | Gold Loc G | 6.86/. 270 | Gold Loc G | |
| | PC Tail P | 3.56 / .140 | PC Tail P | 3.56/. 140 | PC Tail P | 3.56/. 140 | PC Tail P | |
| | Tin Loc T | OVERALL | Tin Loc T | 4.06/. 160 | Tin Loc T | 4.06/. 160 | Tin Loc T | |
| | Voided Ckts | NONE | Voided Ckts | NONE | Voided CKts | NONE | Voided Ckts | |
| Pack Per | PK-42491-001 | Pack Per | PK-42491-001 | Pack Per | PK-42491-001 | Pack Per | | |
| Ckts | Material No | Engineer Number | Material No | Engineer Number | Material No | Engineer Number | Material No | Engineer Number |
| 2 | 26-64-4020 | A-42491-0002 | 42491-0312 | A-42491-0312 | 42491-0329 | A-42491-0329 | | |
| 3 | 26-64-4030 | A-42491-0003 | 42491-0313 | A-42491-0313 | 42491-0330 | A-42491-0330 | | |
| 4 | 26-64-4040 | A-42491-0004 | 42491-0314 | A-42491-0314 | 42491-0331 | A-42491-0331 | | |
| 5 | 26-64-4050 | A-42491-0005 | 42491-0315 | A-42491-0315 | 42491-0332 | A-42491-0332 | | |
| 6 | 26-64-4060 | A-42491-0006 | 42491-0316 | A-42491-0316 | 42491-0333 | A-42491-0333 | | |
| 7 | 26-64-4070 | A-42491-0007 | 42491-0317 | A-42491-0317 | 42491-0334 | A-42491-0334 | | |
| 8 | 26-64-4080 | A-42491-0008 | 42491-0318 | A-42491-0318 | 42491-0335 | A-42491-0335 | | |
| 9 | 26-64-4090 | A-42491-0009 | 42491-0319 | A-42491-0319 | 42491-0336 | A-42491-0336 | | |
| 10 | 26-64-4100 | A-42491-0010 | 42491-0320 | A-42491-0320 | 42491-0337 | A-42491-0337 | | |
| 11 | 26-64-4110 | A-42491-0011 | 42491-0321 | A-42491-0321 | 42491-0338 | A-42491-0338 | | |
| 12 | 26-64-4120 | A-42491-0012 | 42491-0322 | A-42491-0322 | 42491-0339 | A-42491-0339 | | |

| | | | |
|---|--|--|--------------------------------------|
| REV: F4 | <u>ECR/ECN INFORMATION</u> | <u>TITLE:</u> KK 156 HEADER ASSEMBLY FRICTION LOCK VERTICAL PEGS | <u>SHEET No.</u> - 3 - |
| | EC NO: UCP2009-0094 DATE: 7/25/2008 | | |
| <u>DOCUMENT NUMBER:</u> SD- 42491-001 | <u>CREATED / REVISED BY:</u> GAVERRILL | <u>CHECKED BY:</u> MKIPPER | <u>APPROVED BY:</u> FSMITH |

| OPTIONS | Group | A-42491-0019/0035 | Group | A-42491-0036/0052 | Group | A-42491-0059/0074 | Group | A-42491-0086-0100 |
|----------|--------------|-------------------|--------------|-------------------|--------------|-------------------|--------------|-------------------|
| | Header No: | 41790-0019/0035 | Header No: | 41790-0019/0035 | Header No: | 41790-0020/0035 | Header No: | 41790-0021/0035 |
| | Pin No: | 2161-94(501) | Pin No: | 2161-94(102) | Pin No: | 2161-94(102) | Pin No: | 2161-94(102) |
| | Plating: | 501 - GOLD | Plating: | 102 - TIN | Plating: | 102 - TIN | Plating: | 102 - TIN |
| | Pin Length L | 18.29 / .720 | Pin Length L | 18.29/. 720 | Pin Length L | 18.29/. 720 | Pin Length L | 18.29/. 720 |
| | Mating M | 11.43 / .450 | Mating M | 11.43/. 450 | Mating M | 11.43/. 450 | Mating M | 11.43/. 450 |
| | Gold Loc G | OVERALL | Gold Loc G | N/A | Gold Loc G | N/A | Gold Loc G | N/A |
| | PC Tail P | 3.56 / .140 | PC Tail P | 3.56/. 140 | PC Tail P | 3.56/. 140 | PC Tail P | 3.56/. 140 |
| | Tin Loc T | N/A | Tin Loc T | OVERALL | Tin Loc T | OVERALL | Tin Loc T | OVERALL |
| | Voided Ckts | NONE | Voided Ckts | 2 | Voided CKts | 3 | Voided Ckts | 2, 4 |
| Pack Per | PK-42491-001 | Pack Per | PK-42491-001 | Pack Per | PK-42491-001 | Pack Per | PK-42491-001 | |
| Ckts | Material No | Engineer Number | Material No | Engineer Number | Material No | Engineer Number | Material No | Engineer Number |
| 2 | 26-65-4020 | A-42491-0019 | | | | | | |
| 3 | 26-65-4030 | A-42491-0020 | 26-62-4035 | A-42491-0037 | 27-62-4032 | A-42491-0059 | | |
| 4 | 26-65-4040 | A-42491-0021 | 26-62-4045 | A-42491-0038 | 27-62-4042 | A-42491-0060 | | A-42491-0086 |
| 5 | 26-65-4050 | A-42491-0022 | 26-62-4055 | A-42491-0039 | 27-62-4052 | A-42491-0061 | | A-42491-0087 |
| 6 | 26-65-4060 | A-42491-0023 | 26-62-4065 | A-42491-0040 | 27-62-4062 | A-42491-0062 | 27-60-4061 | A-42491-0088 |
| 7 | 26-65-4070 | A-42491-0024 | 26-62-4075 | A-42491-0041 | 27-62-4072 | A-42491-0063 | | A-42491-0089 |
| 8 | 26-65-4080 | A-42491-0025 | 26-62-4085 | A-42491-0042 | 27-62-4082 | A-42491-0064 | | A-42491-0090 |
| 9 | 26-65-4090 | A-42491-0026 | 26-62-4095 | A-42491-0043 | 27-62-4092 | A-42491-0065 | | A-42491-0091 |
| 10 | 26-65-4100 | A-42491-0027 | 26-62-4105 | A-42491-0044 | 27-62-4102 | A-42491-0066 | | A-42491-0092 |
| 11 | 26-65-4110 | A-42491-0028 | 26-62-4115 | A-42491-0045 | 27-62-4112 | A-42491-0067 | | A-42491-0093 |
| 12 | 26-65-4120 | A-42491-0029 | 26-62-4125 | A-42491-0046 | 27-62-4122 | A-42491-0068 | | A-42491-0094 |

| | | | |
|--|---|---|-------------------------------|
| REV: F4 | ECR/ECN INFORMATION EC NO: UCP2009-0094 DATE: 7/25/2008 | TITLE: KK 156 HEADER ASSEMBLY FRICTION LOCK VERTICAL PEGS | SHEET No. - 4 - |
| DOCUMENT NUMBER: SD- 42491-001 | CREATED / REVISED BY: GAVERRILL | CHECKED BY: MKIPPER | APPROVED BY: FSMITH |

| OPTIONS | Group | A-42491-0172/0188 | Group | A-42491-0223/0239 | Group | A-42491-0240/0251 | Group | A-42491-0252/0265 |
|----------|--------------|-------------------|--------------|-------------------|--------------|-------------------|--------------|-------------------|
| | Header No: | 41790-0019/0035 | Header No: | 41790-0019/0035 | Header No: | 41790-0023/0035 | Header No: | 41790-0022/0035 |
| | Pin No: | 2161-36(102) | Pin No: | 2161-1(122) | Pin No: | 2161-94(102) | Pin No: | 2161-94(102) |
| | Plating: | 102 - TIN | Plating: | 122 - TIN | Plating: | 102 - TIN | Plating: | 102 - TIN |
| | Pin Length L | 30.48/ 1.200 | Pin Length L | 19.05/ .750 | Pin Length L | 18.29/ .720 | Pin Length L | 18.29/ .720 |
| | Mating M | 13.28/ .523 | Mating M | 11.43/ .450 | Mating M | 11.43/ .450 | Mating M | 11.43/ .450 |
| | Gold Loc G | N/A | Gold Loc G | N/A | Gold Loc G | N/A | Gold Loc G | N/A |
| | PC Tail P | 13.89/ .547 | PC Tail P | 4.32/ .170 | PC Tail P | 3.56/ .140 | PC Tail P | 3.56/ .140 |
| | Tin Loc T | OVERALL | Tin Loc T | OVERALL | Tin Loc T | OVERALL | Tin Loc T | OVERALL |
| | Voided Ckts | NONE | Voided Ckts | NONE | Voided CKts | 7 | Voided Ckts | 5 |
| Pack Per | PK-42491-003 | Pack Per | PK-42491-001 | Pack Per | PK-42491-001 | Pack Per | PK-42491-001 | |
| Ckts | Material No | Engineer Number | Material No | Engineer Number | Material No | Engineer Number | Material No | Engineer Number |
| 2 | | A-42491-0172 | 42491-0223 | A-42491-0223 | | | | |
| 3 | | A-42491-0173 | 42491-0224 | A-42491-0224 | | | | |
| 4 | | A-42491-0174 | 42491-0225 | A-42491-0225 | | | | |
| 5 | | A-42491-0175 | 42491-0226 | A-42491-0226 | | | 42491-0252 | A-42491-0252 |
| 6 | 26-64-4061 | A-42491-0176 | 42491-0227 | A-42491-0227 | | | 27-62-4068 | A-42491-0253 |
| 7 | | A-42491-0177 | 42491-0228 | A-42491-0228 | 42491-0240 | A-42491-0240 | 42491-0254 | A-42491-0254 |
| 8 | | A-42491-0178 | 42491-0229 | A-42491-0229 | 27-62-4087 | A-42491-0241 | 42491-0255 | A-42491-0255 |
| 9 | | A-42491-0179 | 42491-0230 | A-42491-0230 | 42491-0242 | A-42491-0242 | 42491-0256 | A-42491-0256 |
| 10 | | A-42491-0180 | 42491-0231 | A-42491-0231 | 42491-0243 | A-42491-0243 | 42491-0257 | A-42491-0257 |
| 11 | | A-42491-0181 | 42491-0232 | A-42491-0232 | 42491-0244 | A-42491-0244 | 42491-0258 | A-42491-0258 |
| 12 | | A-42491-0182 | 42491-0233 | A-42491-0233 | 42491-0245 | A-42491-0245 | 42491-0259 | A-42491-0259 |

| | | | |
|---|--|--|--------------------------------------|
| REV: F4 | <u>ECR/ECN INFORMATION</u> | <u>TITLE:</u> KK 156 HEADER ASSEMBLY FRICTION LOCK VERTICAL PEGS | <u>SHEET No.</u> - 5 - |
| | EC NO: UCP2009-0094 DATE: 7/25/2008 | | |
| <u>DOCUMENT NUMBER:</u> SD- 42491-001 | <u>CREATED / REVISED BY:</u> GAVERRILL | <u>CHECKED BY:</u> MKIPPER | <u>APPROVED BY:</u> FSMITH |

| OPTIONS | Group | A-42491-0266/0275 | Group | A-42491-0276/0286 | Group | A-42491-0287/0299 | Group | A-42491-0300/0311 |
|----------|--------------|-------------------|--------------|-------------------|--------------|-------------------|--------------|-------------------|
| | Header No: | 41790-0026/0035 | Header No: | 41790-0025/0035 | Header No: | 41790-0024/0035 | Header No: | 41790-0025/0035 |
| | Pin No: | 2161-94(102) | Pin No: | 2161-94(102) | Pin No: | 2161-94(102) | Pin No: | 2161-94(102) |
| | Plating: | 102 - TIN | Plating: | 102 - TIN | Plating: | 102 - TIN | Plating: | 102 - TIN |
| | Pin Length L | 18.29/ .720 | Pin Length L | 18.29/ .720 | Pin Length L | 18.29/ .720 | Pin Length L | 18.29/ .720 |
| | Mating M | 11.43 / .450 | Mating M | 11.43/ .450 | Mating M | 11.43/ .450 | Mating M | 11.43/ .450 |
| | Gold Loc G | N/A | Gold Loc G | N/A | Gold Loc G | N/A | Gold Loc G | N/A |
| | PC Tail P | 13.89/ .547 | PC Tail P | 3.56/ .140 | PC Tail P | 3.56/ .140 | PC Tail P | 3.56/ .140 |
| | Tin Loc T | OVERALL | Tin Loc T | OVERALL | Tin Loc T | OVERALL | Tin Loc T | OVERALL |
| | Voided Ckts | 3, 5, 6, 8, 9 | Voided Ckts | 2, 3, 5, 6, 8 | Voided CKts | 3, 6 | Voided Ckts | 2, 5, 7 |
| Pack Per | PK-42491-001 | Pack Per | PK-42491-001 | Pack Per | PK-42491-001 | Pack Per | | |
| Ckts | Material No | Engineer Number | Material No | Engineer Number | Material No | Engineer Number | Material No | Engineer Number |
| 2 | | | | | | | | |
| 3 | | | | | | | | |
| 4 | | | | | | | | |
| 5 | | | | | | | | |
| 6 | | | | | | | | |
| 7 | | | | | 42491-0287 | A-42491-0287 | | |
| 8 | | | 42491-0276 | A-42491-0276 | 42491-0288 | A-42491-0288 | 42491-0300 | A-42491-0300 |
| 9 | 42491-0266 | A-42491-0266 | 42491-0277 | A-42491-0277 | 42491-0289 | A-42491-0289 | 42491-0301 | A-42491-0301 |
| 10 | 27-66-4104 | A-42491-0267 | 27-66-4105 | A-42491-0278 | 42491-0290 | A-42491-0290 | 42491-0302 | A-42491-0302 |
| 11 | 42491-0268 | A-42491-0268 | 42491-0279 | A-42491-0279 | 42491-0291 | A-42491-0291 | 42491-0303 | A-42491-0303 |
| 12 | 42491-0269 | A-42491-0269 | 42491-0280 | A-42491-0280 | 42491-0292 | A-42491-0292 | 42491-0304 | A-42491-0304 |
| | | | | | 42491-0293 | A-42491-0293 | 42491-0305 | A-42491-0305 |

| | | | |
|---|--|--|--------------------------------------|
| REV: F4 | <u>ECR/ECN INFORMATION</u> | <u>TITLE:</u> KK 156 HEADER ASSEMBLY FRICTION LOCK VERTICAL PEGS | <u>SHEET No.</u> - 6 - |
| | EC NO: UCP2009-0094 DATE: 7/25/2008 | | |
| <u>DOCUMENT NUMBER:</u> SD- 42491-001 | <u>CREATED / REVISED BY:</u> GAVERRILL | <u>CHECKED BY:</u> MKIPPER | <u>APPROVED BY:</u> FSMITH |

| OPTIONS | Group | A-42491-0346/0352 | Group | A-42491-0353/0357 | Group | A-42491-0358/0372 | Group | A-42491-0373/0387 |
|----------|--------------|--------------------|--------------|--------------------|-------------------------|-------------------|--------------|-------------------|
| | Header No: | 41790-0029/0035 | Header No: | 41790-0031/0035 | Header No: | 41790-0021/0035 | Header No: | 41790-0021/0035 |
| | Pin No: | 2161-94(102) | Pin No: | 2161-94(102) | Pin No: | 2161-94(102) | Pin No: | 2161-94(102) |
| | Plating: | 102 - TIN | Plating: | 102 - TIN | Plating: | 102 - TIN | Plating: | 102 - TIN |
| | Pin Length L | 18.29/ .720 | Pin Length L | 18.29/ .720 | Pin Length L | 18.29/ .720 | Pin Length L | 18.29/ .720 |
| | Mating M | 11.43 / .450 | Mating M | 11.43/ .450 | Mating M | 11.43/ .450 | Mating M | 11.43/ .450 |
| | Gold Loc G | N/A | Gold Loc G | N/A | Gold Loc G | N/A | Gold Loc G | N/A |
| | PC Tail P | 3.56/ .140 | PC Tail P | 3.56/ .140 | PC Tail P | 3.56/ .140 | PC Tail P | 3.56/ .140 |
| | Tin Loc T | OVERALL | Tin Loc T | OVERALL | Tin Loc T | OVERALL | Tin Loc T | OVERALL |
| | Voided Ckts | 2, 4, 6, 8, 10, 12 | Voided Ckts | 2, 4, 6, 8, 10, 14 | Voided Ckts | 4 | Voided Ckts | 3, 4 |
| Pack Per | PK-42491-001 | Pack Per | PK-42491-001 | Pack Per | PK-42491-001 | Pack Per | PK-42491-001 | |
| Ckts | Material No | Engineer Number | Material No | Engineer Number | Material No | Engineer Number | Material No | Engineer Number |
| 2 | | | | | | | | |
| 3 | | | | | | | | |
| 4 | | | | | | | | |
| 5 | | | | | A-42491-0358 | | A-42491-0373 | |
| 6 | | | | | 50-29-1600 A-42491-0359 | | A-42491-0374 | |
| 7 | | | | | A-42491-0360 | 42491-0375 | A-42491-0375 | |
| 8 | | | | | A-42491-0361 | | A-42491-0376 | |
| 9 | | | | | A-42491-0362 | | A-42491-0377 | |
| 10 | | | | | A-42491-0363 | | A-42491-0378 | |
| 11 | | | | | A-42491-0364 | | A-42491-0379 | |
| 12 | 42491-0346 | A-42491-0346 | | | A-42491-0365 | | A-42491-0380 | |
| | | | | | A-42491-0366 | | A-42491-0381 | |

| | | | |
|---|--|--|--------------------------------------|
| REV: F4 | <u>ECR/ECN INFORMATION</u> | <u>TITLE:</u> KK 156 HEADER ASSEMBLY FRICTION LOCK VERTICAL PEGS | <u>SHEET No.</u> |
| | <u>EC NO:</u> UCP2009-0094 | | - 7 - |
| | <u>DATE:</u> 7/25/2008 | | |
| <u>DOCUMENT NUMBER:</u> SD- 42491-001 | <u>CREATED / REVISED BY:</u> GAVERRILL | <u>CHECKED BY:</u> MKIPPER | <u>APPROVED BY:</u> FSMITH |

| | | |
|---------|--------------|--------------|
| OPTIONS | Group | A-42491-0388 |
| | Header No: | 41790-0023 |
| | Pin No: | 2161-94(102) |
| | Plating: | 102 – TIN |
| | Pin Length L | 18.29 / .720 |
| | Mating M | 11.43 / .450 |
| | Gold Loc G | N/A |
| | PC Tail P | 3.56 / .140 |
| | Tin Loc T | OVERALL |
| | Voided Ckts | 6 |
| | Pack Per | PK-42491-001 |

| Ckts | Material No | Engineer Number |
|------|-------------|-----------------|
| 2 | | |
| 3 | | |
| 4 | | |
| 5 | | |
| 6 | 42491-0388 | A-42491-0388 |
| 7 | | |
| 8 | | |
| 9 | | |
| 10 | | |
| 11 | | |
| 12 | | |
| 13 | | |
| 14 | | |
| 15 | | |
| 16 | | |
| 17 | | |
| 18 | | |

| | | | | |
|--|--|--|--------------------------------------|--------------------------------------|
| REV: F4 | <u>ECR/ECN INFORMATION</u> EC NO: UCP2009-0094 DATE: 7/25/2008 | <u>TITLE:</u> KK 156 HEADER ASSEMBLY FRICTION LOCK VERTICAL PEGS | <u>SHEET No.</u> - 8 - | |
| <u>DOCUMENT NUMBER:</u> SD- 42491-001 | | <u>CREATED / REVISED BY:</u> GAVERRILL | <u>CHECKED BY:</u> MKIPPER | <u>APPROVED BY:</u> FSMITH |
| TEMPLATE FILENAME: PRODUCT_SPEC [SIZE_A](V.1). DOC | | | | |