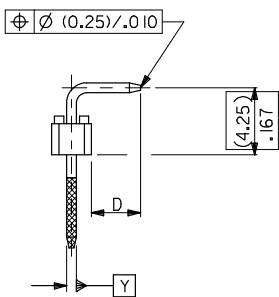
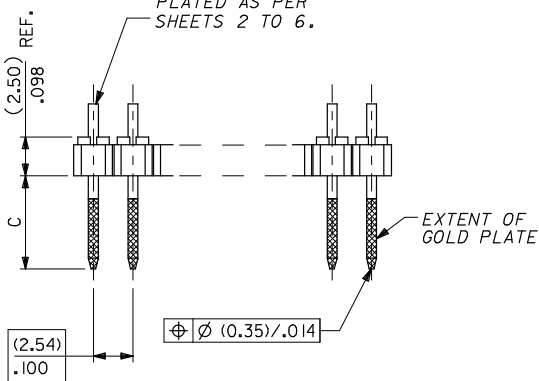


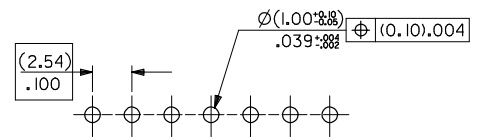
WAFER: 15% GLASS FILLED POLYESTER TO UL 94V-0. COLOUR: BLACK.

PINS: (0.635)/.025 SQ. BRASS WIRE. PLATED AS PER SHEETS 2 TO 6.



NOTES

- FOR ASSY NUMBERS WITH FINISH OPTIONS AND DIM'S C & D SEE SHEETS 2 TO 6.
- PRODUCT SPEC: PS-99020-0001
- RECOMMENDED PCB THICKNESS 1.6mm



RECOMMENDED P.C. BOARD HOLE PATTERN

CKT SIZE	DIM. "A"		DIM. "B" (± 0.20 / $\pm .008$)		CKT SIZE	DIM. "A"		DIM. "B" (± 0.20 / $\pm .008$)	
1X 1			(2.54)	.100	1X21	(50.80)	2.000	(53.34)	2.100
1X 2	(2.54)	.100	(5.08)	.200	1X22	(53.34)	2.100	(55.88)	2.200
1X 3	(5.08)	.200	(7.62)	.300	1X23	(55.88)	2.200	(58.42)	2.300
1X 4	(7.62)	.300	(10.16)	.400	1X24	(58.42)	2.300	(60.96)	2.400
1X 5	(10.16)	.400	(12.70)	.500	1X25	(60.96)	2.400	(63.50)	2.500
1X 6	(12.70)	.500	(15.24)	.600	1X26	(63.50)	2.500	(66.04)	2.600
1X 7	(15.24)	.600	(17.78)	.700	1X27	(66.04)	2.600	(68.58)	2.700
1X 8	(17.78)	.700	(20.32)	.800	1X28	(68.58)	2.700	(71.12)	2.800
1X 9	(20.32)	.800	(22.86)	.900	1X29	(71.12)	2.800	(73.66)	2.900
1X10	(22.86)	.900	(25.40)	1.000	1X30	(73.66)	2.900	(76.20)	3.000
1X11	(25.40)	1.000	(27.94)	1.100	1X31	(76.20)	3.000	(78.74)	3.100
1X12	(27.94)	1.100	(30.48)	1.200	1X32	(78.74)	3.100	(81.28)	3.200
1X13	(30.48)	1.200	(33.02)	1.300	1X33	(81.28)	3.200	(83.82)	3.300
1X14	(33.02)	1.300	(35.56)	1.400	1X34	(83.82)	3.300	(86.36)	3.400
1X15	(35.56)	1.400	(38.10)	1.500	1X35	(86.36)	3.400	(88.90)	3.500
1X16	(38.10)	1.500	(40.64)	1.600	1X36	(88.90)	3.500	(91.44)	3.600
1X17	(40.64)	1.600	(43.18)	1.700	1X37	(91.44)	3.600	(93.98)	3.700
1X18	(43.18)	1.700	(45.72)	1.800	1X38	(93.98)	3.700	(96.52)	3.800
1X19	(45.72)	1.800	(48.26)	1.900	1X39	(96.52)	3.800	(99.06)	3.900
1X20	(48.26)	1.900	(50.80)	2.000	1X40	(99.06)	3.900	(101.60)	4.000

Corrected view size EC NO: E2008-0479 DRAWN: K. ERMAN CHKD: 2008/03/18 APPR: BMAGUIRE 2008/03/18	QUALITY SYMBOLS ▽=0 ▽=0	GENERAL TOLERANCES (UNLESS SPECIFIED)		DIMENSION STYLE MM ONLY		SCALE 4:1	DESIGN UNITS METRIC	THIRD ANGLE PROJECTION		
		4 PLACES ± --- ± ---	3 PLACES ± --- ± ---	2 PLACES ± --- ± ---	1 PLACE ± --- ± ---	DRAWN BY DB		DATE		
		ANGULAR ±1/2°				CHECKED BY		DATE		TITLE C-GRID III SINGLE ROW RIGHT ANGLE HEADER
		DRAFT WHERE APPLICABLE MUST REMAIN WITHIN DIMENSIONS				APPROVED BY		DATE		
MATERIAL NO. SEE CHART		DOCUMENT NO. SDA-90121		SHEET NO. 1 OF 6		MOLEX INCORPORATED				

10 9 8 7 6 5 4 3 2 1

PART NO. SEE CHART
 DWG. NO. SDA-90121

CIRCUIT SIZE	PLATING TYPE A			PLATING TYPE E			PLATING TYPE F		
	PART NO.	PART NO.	PART NO.	PART NO.	PART NO.	PART NO.	PART NO.	PART NO.	PART NO.
1 X 1	90121-0121			90121-0761			90121-0921		
1 X 2	↑ -0122	↑ -0762	↑ -0922						
1 X 3	-0123	-0763	-0923						
1 X 4	-0124	-0764	-0924						
1 X 5	-0125	-0765	-0925						
1 X 6	-0126	-0766	-0926						
1 X 7	-0127	-0767	-0927						
1 X 8	-0128	-0768	-0928						
1 X 9	-0129	-0769	-0929						
1 X 10	-0130	-0770	-0930						
1 X 11	-0131	-0771	-0931						
1 X 12	-0132	-0772	-0932						
1 X 13	-0133	-0773	-0933						
1 X 14	-0134	-0774	-0934						
1 X 15	-0135	-0775	-0935						
1 X 16	-0136	-0776	-0936						
1 X 17	-0137	-0777	-0937						
1 X 18	-0138	-0778	-0938						
1 X 19	-0139	-0779	-0939						
1 X 20	-0140	-0780	-0940						
1 X 21	-0141	-0781	-0941						
1 X 22	-0142	-0782	-0942						
1 X 23	-0143	-0783	-0943						
1 X 24	-0144	-0784	-0944						
1 X 25	-0145	-0785	-0945						
1 X 26	-0146	-0786	-0946						
1 X 27	-0147	-0787	-0947						
1 X 28	-0148	-0788	-0948						
1 X 29	-0149	-0789	-0949						
1 X 30	-0150	-0790	-0950						
1 X 31	-0151	-0791	-0951						
1 X 32	-0152	-0792	-0952						
1 X 33	-0153	-0793	-0953						
1 X 34	-0154	-0794	-0954						
1 X 35	-0155	-0795	-0955						
1 X 36	-0156	-0796	-0956						
1 X 37	-0157	-0797	-0957						
1 X 38	-0158	-0798	-0958						
1 X 39	↓ -0159	↓ -0799	↓ -0959						
1 X 40	90121-0160	90121-0800	90121-0960						

DIM C
 (+0.20)
 ±.008
 (6.75)
 .266

DIM D
 (+0.25)
 ±.00
 (2.90)
 .114

NOTES:
 FOR PLATING VARIATIONS SEE
 ENG.STD. SDES-99000-0003.

STANDARD PRODUCTS

FOR PREVIOUS DRAWING ISSUES SEE MRI.	SEE SHEET I.	H	REVISIONS	DIMENSIONS SHOWN (METRIC) INCH UNLESS OTHERWISE SPECIFIED TOLERANCES: ANGULAR ± 8	DRWG BY DB	REVISE ONLY ON CAD SYSTEM		SHL. REV.		
			3 PLACE ± . ---	INCH (METRIC)	CHK'D BY	CAD/CAM FILENAME SAB0121K2	THIS DRAWING CONTAINS INFORMATION THAT IS PROPRIETARY TO MOLEX INC. & SHOULD NOT BE USED WITHOUT WRITTEN PERMISSION			
			2 PLACE ± . ---	INCH (METRIC)	APP'D BY	TITLE	C-GRID III SINGLE ROW RIGHT ANGLE HEADER			
			1 PLACE ± . ---	INCH (METRIC)	SCALE	MOLEX EUROPE		SHEET NO.	DATE	
			DESIGN DIMENSION (PRIMARY) <input checked="" type="checkbox"/> (MM) <input type="checkbox"/> IN.			PART NO.		20F	16/ 7/87	
EQUIVALENT DIMENSION (SECONDARY) <input type="checkbox"/> (MM) <input checked="" type="checkbox"/> IN.			SEE CHART		DWG NO.	SDA-90121	SIZE B			

10 9 8 7 6 5 4 3 2 1