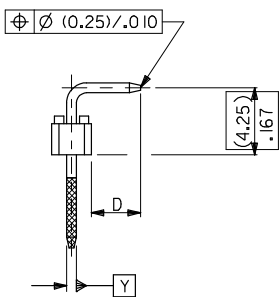
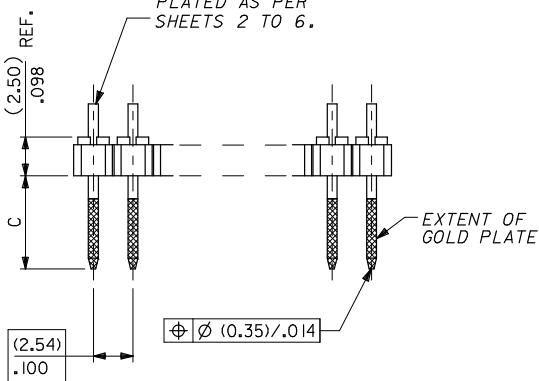


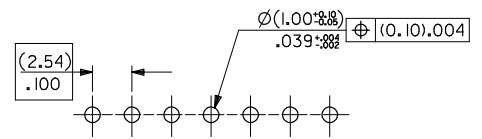
WAFER: 15% GLASS FILLED POLYESTER TO UL 94V-0. COLOUR: BLACK.

PINS: (0.635)/.025 SQ. BRASS WIRE. PLATED AS PER SHEETS 2 TO 6.



NOTES

- FOR ASSY NUMBERS WITH FINISH OPTIONS AND DIM'S C & D SEE SHEETS 2 TO 6.
- PRODUCT SPEC: PS-99020-0001
- RECOMMENDED PCB THICKNESS 1.6mm



RECOMMENDED P.C. BOARD HOLE PATTERN

CKT SIZE	DIM. "A"		DIM. "B" ( $\pm 0.20$ / $\pm .008$ )		CKT SIZE	DIM. "A"		DIM. "B" ( $\pm 0.20$ / $\pm .008$ )	
1X 1			(2.54)	.100	1X21	(50.80)	2.000	(53.34)	2.100
1X 2	(2.54)	.100	(5.08)	.200	1X22	(53.34)	2.100	(55.88)	2.200
1X 3	(5.08)	.200	(7.62)	.300	1X23	(55.88)	2.200	(58.42)	2.300
1X 4	(7.62)	.300	(10.16)	.400	1X24	(58.42)	2.300	(60.96)	2.400
1X 5	(10.16)	.400	(12.70)	.500	1X25	(60.96)	2.400	(63.50)	2.500
1X 6	(12.70)	.500	(15.24)	.600	1X26	(63.50)	2.500	(66.04)	2.600
1X 7	(15.24)	.600	(17.78)	.700	1X27	(66.04)	2.600	(68.58)	2.700
1X 8	(17.78)	.700	(20.32)	.800	1X28	(68.58)	2.700	(71.12)	2.800
1X 9	(20.32)	.800	(22.86)	.900	1X29	(71.12)	2.800	(73.66)	2.900
1X10	(22.86)	.900	(25.40)	1.000	1X30	(73.66)	2.900	(76.20)	3.000
1X11	(25.40)	1.000	(27.94)	1.100	1X31	(76.20)	3.000	(78.74)	3.100
1X12	(27.94)	1.100	(30.48)	1.200	1X32	(78.74)	3.100	(81.28)	3.200
1X13	(30.48)	1.200	(33.02)	1.300	1X33	(81.28)	3.200	(83.82)	3.300
1X14	(33.02)	1.300	(35.56)	1.400	1X34	(83.82)	3.300	(86.36)	3.400
1X15	(35.56)	1.400	(38.10)	1.500	1X35	(86.36)	3.400	(88.90)	3.500
1X16	(38.10)	1.500	(40.64)	1.600	1X36	(88.90)	3.500	(91.44)	3.600
1X17	(40.64)	1.600	(43.18)	1.700	1X37	(91.44)	3.600	(93.98)	3.700
1X18	(43.18)	1.700	(45.72)	1.800	1X38	(93.98)	3.700	(96.52)	3.800
1X19	(45.72)	1.800	(48.26)	1.900	1X39	(96.52)	3.800	(99.06)	3.900
1X20	(48.26)	1.900	(50.80)	2.000	1X40	(99.06)	3.900	(101.60)	4.000

Corrected view size EC NO: E2008-0479 DRWN: K. ERMAN CHKD: 2008/03/18 APPR: BMAGUIRE 2008/03/18	QUALITY SYMBOLS ▽=0 ▽=0	GENERAL TOLERANCES (UNLESS SPECIFIED)		DIMENSION STYLE MM ONLY		SCALE 4:1	DESIGN UNITS METRIC	THIRD ANGLE PROJECTION			
		4 PLACES ± --- ± ---	3 PLACES ± --- ± ---	2 PLACES ± --- ± ---	1 PLACE ± --- ± ---	DRAWN BY DB	DATE	TITLE C-GRID III SINGLE ROW RIGHT ANGLE HEADER			
		ANGULAR ±1/2°				CHECKED BY		DATE	MOLEX INCORPORATED		
		DRAFT WHERE APPLICABLE MUST REMAIN WITHIN DIMENSIONS				APPROVED BY		DATE	MATERIAL NO. SEE CHART		DOCUMENT NO. SDA-90121

	10	9	8	7	6	5	4	3	2	1			
F E D C B A	PART NO. SEE CHART DWC. NO. SDA-90121  DIM C (±0.20) ±.008 (6.75) .266  DIM D (±0.25) ±.00 (2.90) .114	CIRCUIT SIZE	PLATING TYPE A PART NO.	PLATING TYPE E PART NO.	PLATING TYPE F PART NO.								
		1 X 1	90121-0121	90121-0761	90121-0921								
		1 X 2	↑ -0122	↑ -0762	↑ -0922								
		1 X 3	-0123	-0763	-0923								
		1 X 4	-0124	-0764	-0924								
		1 X 5	-0125	-0765	-0925								
		1 X 6	-0126	-0766	-0926								
		1 X 7	-0127	-0767	-0927								
		1 X 8	-0128	-0768	-0928								
		1 X 9	-0129	-0769	-0929								
		1 X 10	-0130	-0770	-0930								
		1 X 11	-0131	-0771	-0931								
		1 X 12	-0132	-0772	-0932								
		1 X 13	-0133	-0773	-0933								
		1 X 14	-0134	-0774	-0934								
		1 X 15	-0135	-0775	-0935								
		1 X 16	-0136	-0776	-0936								
		1 X 17	-0137	-0777	-0937								
		1 X 18	-0138	-0778	-0938								
		1 X 19	-0139	-0779	-0939								
		1 X 20	-0140	-0780	-0940								
		1 X 21	-0141	-0781	-0941								
		1 X 22	-0142	-0782	-0942								
		1 X 23	-0143	-0783	-0943								
		1 X 24	-0144	-0784	-0944								
		1 X 25	-0145	-0785	-0945								
		1 X 26	-0146	-0786	-0946								
		1 X 27	-0147	-0787	-0947								
		1 X 28	-0148	-0788	-0948								
		1 X 29	-0149	-0789	-0949								
		1 X 30	-0150	-0790	-0950								
		1 X 31	-0151	-0791	-0951								
		1 X 32	-0152	-0792	-0952								
		1 X 33	-0153	-0793	-0953								
		1 X 34	-0154	-0794	-0954								
		1 X 35	-0155	-0795	-0955								
		1 X 36	-0156	-0796	-0956								
		1 X 37	-0157	-0797	-0957								
		1 X 38	-0158	-0798	-0958								
		1 X 39	↓ -0159	↓ -0799	↓ -0959								
1 X 40	90121-0160	90121-0800	90121-0960										
NOTES: FOR PLATING VARIATIONS SEE ENG.STD. SDES-99000-0003.		FOR PREVIOUS DRAWING ISSUES SEE MRI.		SEE SHEET I.	H	LTR	DIMENSIONS SHOWN ( METRIC ) INCH		DRWG BY DB	REVISE ONLY ON CAD SYSTEM		SH.	REV.
STANDARD PRODUCTS							UNLESS OTHERWISE SPECIFIED TOLERANCES: ANGULAR ± 8			CAD/CAM FILENAME SAB0121K2 DGN		THIS DRAWING CONTAINS INFORMATION THAT IS PROPRIETARY TO MOLEX INC. & SHOULD NOT BE USED WITHOUT WRITTEN PERMISSION	
								3 PLACE ± . ---    # --- 2 PLACE ± . ---    # --- 1 PLACE ± . ---    # --- DRAFT WHERE APPL(C)ABLE MUST REMAIN WITHIN DIMENSIONS		CHKD BY APP'D BY SCALE		MOLEX EUROPE    SHEET NO. DATE 20F    16/ 7/87	
								DESIGN DIMENSION <input checked="" type="checkbox"/> (MM) (PRIMARY) <input type="checkbox"/> IN.		PART NO.		DWG NO.	
								EQUIVALENT DIMENSION <input type="checkbox"/> (MM) (SECONDARY) <input checked="" type="checkbox"/> IN.		SEE CHART		SDA-90121	
										SIZE		B	