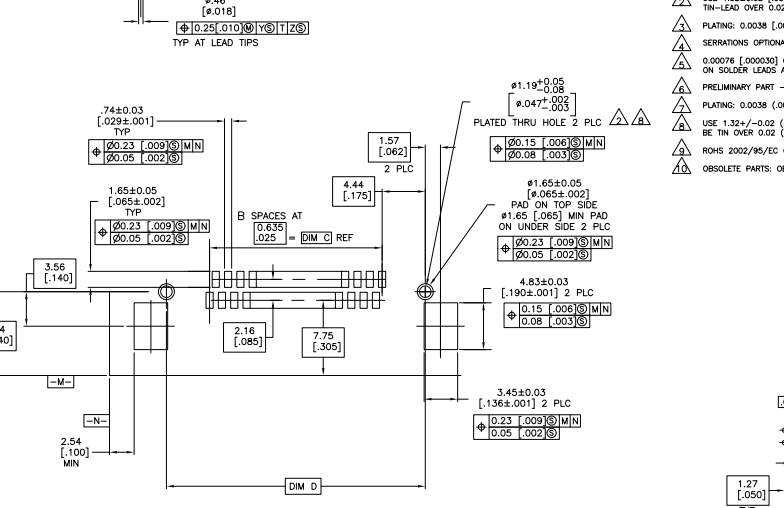
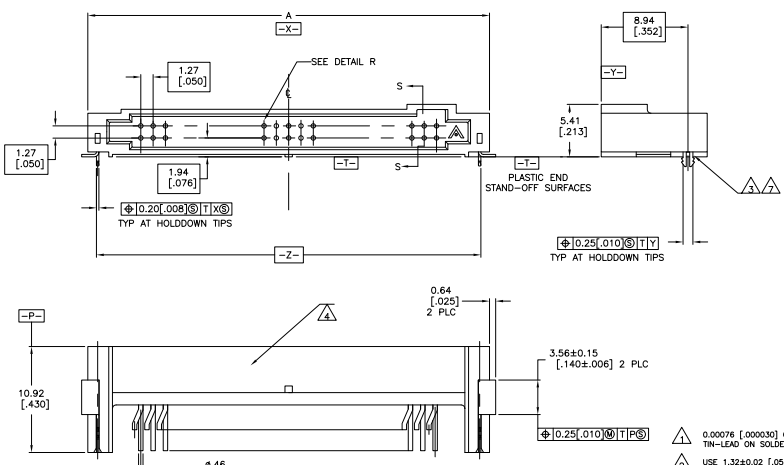
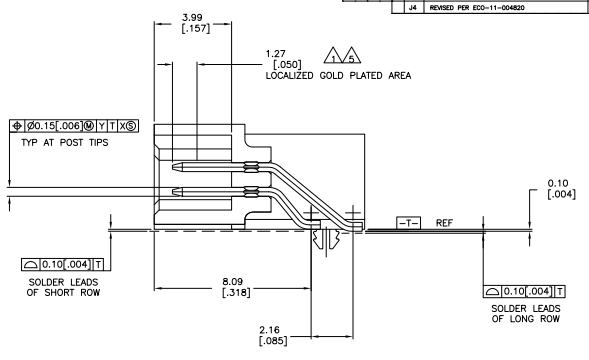


REV	DATE	DESCRIPTION	BY	CHK	APP
AD 00					
J4		REVISED PER EDD-11-048820	11MM11	JK	HMR



RECOMMENDED BOARD LAYOUT
SCALE 5:1



SECTION S-S

- △ 0.00076 [0.00030] GOLD IN LOCALIZED PLATE AREA 0.00381 [0.00150] TIN-LEAD ON SOLDER LEADS ALL OVER 0.00127 [0.00050] NICKEL
- △ USE 1.32±0.02 [0.0520±0.010] DRILLED HOLE (#55 DRILL) FINISH TO BE TIN-LEAD OVER 0.02 [0.01] MIN COPPER
- △ PLATING: 0.0038 [0.00150] TIN-LEAD OVER 0.00127 [0.00050] NICKEL
- △ SERATIONS OPTIONAL THIS SURFACE.
- △ 0.00076 [0.00030] GOLD IN LOCALIZED PLATE AREA 0.00381 [0.00150] TIN ON SOLDER LEADS ALL OVER 0.00127 [0.00050] NICKEL
- △ PRELIMINARY PART - NOT RELEASED FOR PRODUCTION.
- △ PLATING: 0.0038 [0.0015] TIN OVER 0.00127 [0.00050] NICKEL
- △ USE 1.32±0.02 [0.052±0.010] DRILLED HOLE (#55 DRILL) FINISH TO BE TIN OVER 0.02 [0.01] MIN COPPER
- △ ROHS 2002/95/EC COMPLIANT.
- △ OBSOLETE PARTS: OBSOLETE CIS STREAMLING PER D.RENAUD/D.SINISI

REV	DATE	DESCRIPTION	BY	CHK	APP	
49	71.12 [2.800]	69.87 [2.475]	99	73.15 [2.880]	100	6-104894-0
44	64.77 [2.550]	56.52 [2.225]	89	66.80 [2.630]	90	6-104894-9
39	58.42 [2.300]	50.17 [1.975]	79	60.45 [2.380]	80	6-104894-8
34	52.07 [2.050]	43.82 [1.725]	69	54.10 [2.130]	70	5-104894-7
29	45.72 [1.800]	37.47 [1.475]	59	47.75 [1.880]	60	5-104894-6
24	39.37 [1.550]	31.12 [1.225]	49	41.40 [1.630]	50	5-104894-5
19	33.02 [1.300]	24.77 [0.975]	39	35.05 [1.380]	40	5-104894-4
14	26.67 [1.050]	18.42 [0.725]	29	28.70 [1.130]	30	5-104894-3
9	20.32 [0.800]	12.07 [0.475]	19	22.35 [0.880]	20	5-104894-2
4	13.97 [0.550]	5.72 [0.225]	9	16.00 [0.630]	10	5-104894-1
49	71.12 [2.800]	62.87 [2.475]	99	73.15 [2.880]	100	1-104894-0
44	64.77 [2.550]	56.52 [2.225]	89	66.80 [2.630]	90	104894-9
39	58.42 [2.300]	50.17 [1.975]	79	60.45 [2.380]	80	104894-8
34	52.07 [2.050]	43.82 [1.725]	69	54.10 [2.130]	70	104894-7
29	45.72 [1.800]	37.47 [1.475]	59	47.75 [1.880]	60	104894-6
24	39.37 [1.550]	31.12 [1.225]	49	41.40 [1.630]	50	104894-5
19	33.02 [1.300]	24.77 [0.975]	39	35.05 [1.380]	40	104894-4
14	26.67 [1.050]	18.42 [0.725]	29	28.70 [1.130]	30	104894-3
9	20.32 [0.800]	12.07 [0.475]	19	22.35 [0.880]	20	104894-2
4	13.97 [0.550]	5.72 [0.225]	9	16.00 [0.630]	10	104894-1

BASIC DIMENSIONS FOR ODD NO OF SPACES (SEE TABLE)

BASIC DIMENSIONS FOR EVEN NO OF SPACES (SEE TABLE)

FINISH	NO. OF SPA (SEE DETAIL R)	D	C	B	A	NUMBER OF POSITIONS	PART NUMBER
△	49	71.12 [2.800]	69.87 [2.475]	99	73.15 [2.880]	100	6-104894-0
△	44	64.77 [2.550]	56.52 [2.225]	89	66.80 [2.630]	90	6-104894-9
△	39	58.42 [2.300]	50.17 [1.975]	79	60.45 [2.380]	80	6-104894-8
△	34	52.07 [2.050]	43.82 [1.725]	69	54.10 [2.130]	70	5-104894-7
△	29	45.72 [1.800]	37.47 [1.475]	59	47.75 [1.880]	60	5-104894-6
△	24	39.37 [1.550]	31.12 [1.225]	49	41.40 [1.630]	50	5-104894-5
△	19	33.02 [1.300]	24.77 [0.975]	39	35.05 [1.380]	40	5-104894-4
△	14	26.67 [1.050]	18.42 [0.725]	29	28.70 [1.130]	30	5-104894-3
△	9	20.32 [0.800]	12.07 [0.475]	19	22.35 [0.880]	20	5-104894-2
△	4	13.97 [0.550]	5.72 [0.225]	9	16.00 [0.630]	10	5-104894-1