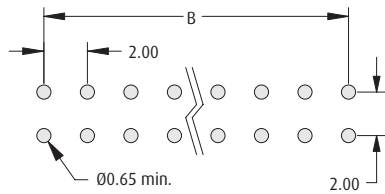
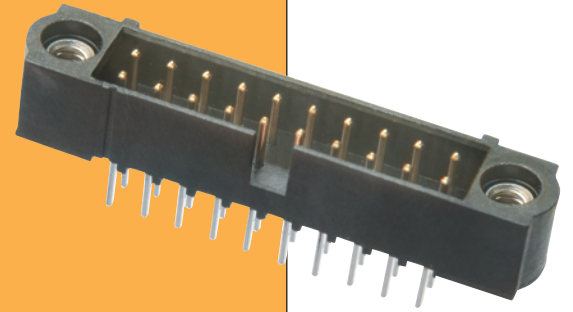


# Datamate Connectors

## Male Vertical PC Tail

- ❖ Mates with female connectors shown on pages 26, 28-30 and 32-33.
- ❖ Polarised mouldings.
- ❖ Fully shrouded contacts.
- ❖ Jackscrews are assembled where specified.
- ❖ Choice of PC Tail length.

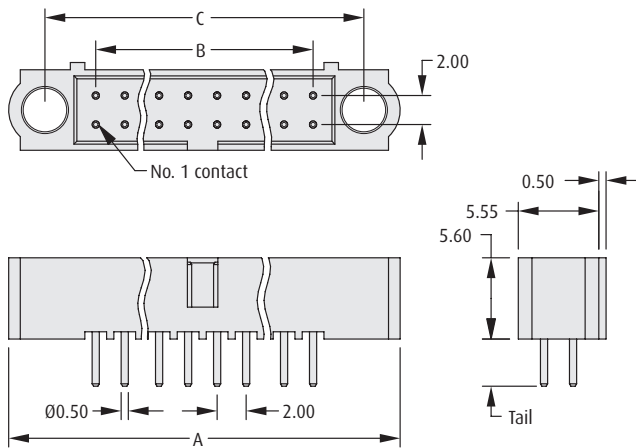


Recommended PC Board Pattern

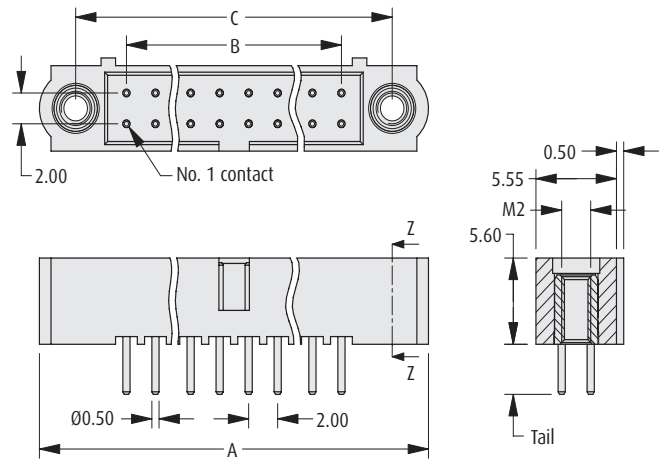
### CALCULATION

<b>A</b>	$B + 12$
<b>B</b>	Total No. of contacts - 2
<b>C</b>	$B + 7$

### WITHOUT JACKSCREWS



### WITH JACKSCREWS



### HOW TO ORDER

**M80 - 5 X X XX XX**

#### SERIES CODE

<b>0</b>	With Jackscrews
<b>2</b>	Without Jackscrews
<b>0</b>	3mm Tails
<b>1</b>	4.5mm Tails

#### FINISH

<b>05</b>	Gold	
<b>22</b>	Gold + Tin/Lead	
<b>42</b>	Gold + Tin	

#### TOTAL NO. OF CONTACTS

**04 to 50**

Even numbers only

All dimensions in mm.

[www.harwin.com](http://www.harwin.com)

