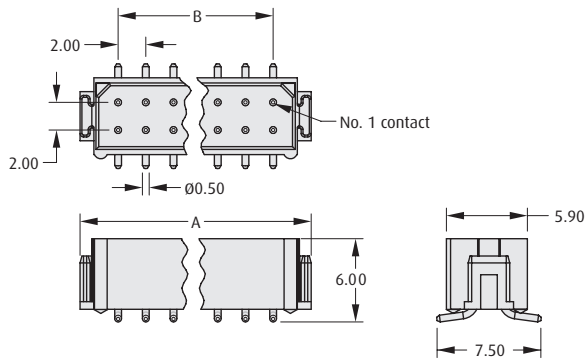


# Datamate Connectors

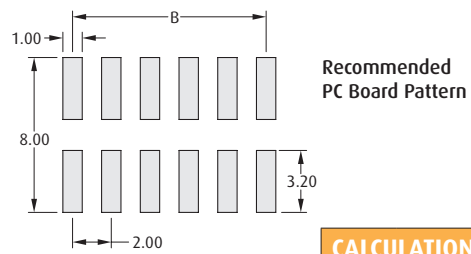
## Male Vertical Surface Mount

- ❖ Contact [datamate@harwin.com](mailto:datamate@harwin.com) for tape & reel options.
- ❖ Optional pick and place cap.
- ❖ Mates with female connectors on pages 18 to 20.
- ❖ Gull wing SMT tails simplify inspection process.

### UNLATCHED

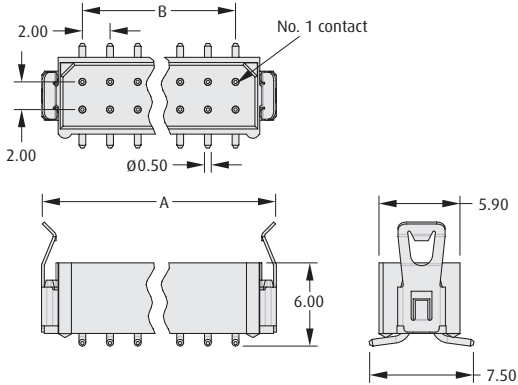


Friction lock or latch (when fitted) adds 0.5mm to overall length 'A'

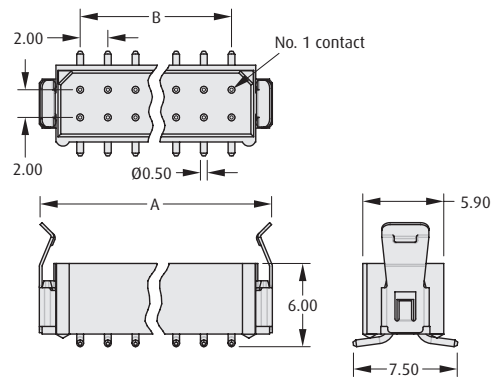


CALCULATION	
<b>A</b>	B + 5.60
<b>B</b>	Total No. of contacts - 2

### LATCHED



### WITH FRICTION LOCK



### HOW TO ORDER

**M80 - 82 X XX XX P**

**SERIES CODE**

TYPE	
<b>6</b>	Unlatched
<b>7</b>	Friction latched
<b>8</b>	Latched

TOTAL NO. OF CONTACTS	
04, 06, 08, 10, 12, 14, 16, 18, 20, 26, 34, 44	

PICK AND PLACE CAP	
<b>BLANK</b>	No cap
<b>P</b>	Pick and place cap

FINISH	
<b>22</b>	Gold + Tin/Lead
<b>42</b>	Gold + Tin
<b>45</b>	Gold

[www.harwin.com](http://www.harwin.com)

All dimensions in mm.



# HARWIN