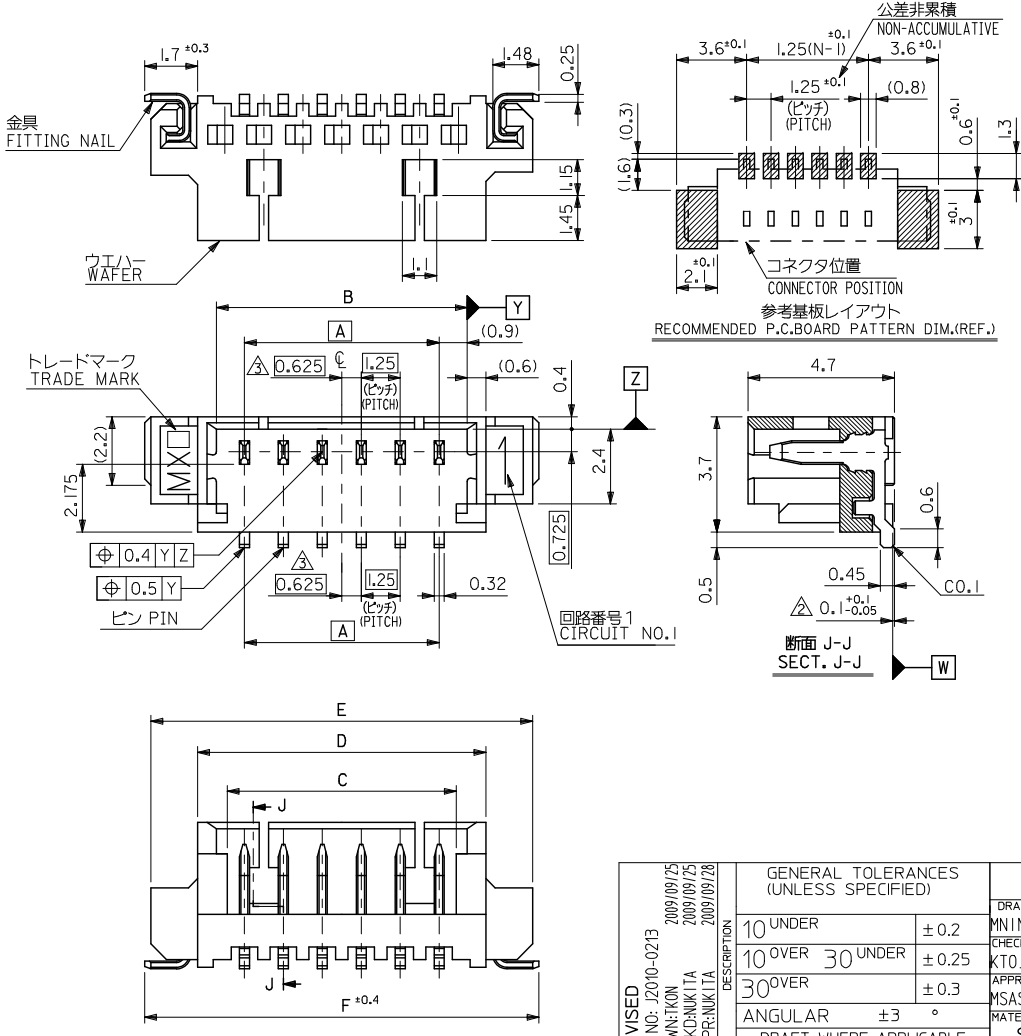
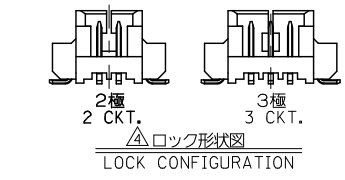


10 9 8 7 6 5 4 3 2 1



注記 NOTES

- 嵌合相手 : 51021 シリーズ MATE WITH : 51021 SERIES
  - 水平面上において、ウェハー底面 **W** とソルダーテール及びフィッティングネイル底面とのズレ量を示す。  
MISALIGNMENT OF SOLDER TAIL & FITTING NAIL FROM **W**
  - 偶数極にのみ適用。APPLY EVEN CIRCUIT PRODUCTS.
  - ロック窓は、2、3極は1ヶ所、4極以上は2ヶ所とする。  
LOCKING WINDOW : ONE PLACE FOR 2&3 CKTS.  
TWO PLACES FOR MORE THAN 4 CKTS.
  - 材質 MATERIAL PA, UL94V-0 COLOR:NATURAL
- ウェハー : WAFER  
 ピン : リン青銅  
 PIN : PHOS-BRO  
 金具 : リン青銅  
 FITTING NAIL : PHOS-BRO
- 錫メッキ 1.0 マイクロメートル以上  
 MATTE TIN 1.0 MICROMETER MINIMUM  
 ニッケル下地 1.0 マイクロメートル以上  
 NICKEL UNDER PLATING 1.0 MICROMETER MINIMUM
- 錫メッキ 1.0 マイクロメートル以上  
 MATTE TIN 1.0 MICROMETER MINIMUM  
 ニッケル下地 1.0 マイクロメートル以上  
 NICKEL UNDER PLATING 1.0 MICROMETER MINIMUM



REVISED EC NO: J2010-0213 DRAWN BY CHYDANKI TA APPROVED BY APPRNKI TA	DESCRIPTION 2009/09/25 2009/09/25 2009/09/28	GENERAL TOLERANCES (UNLESS SPECIFIED)		DIMENSION STYLE MM ONLY		SCALE	53398-***19	MODEL NO.
		10 UNDER	±0.2	DRAWN BY	DATE	TITLE	DESIGN UNITS	THIRD ANGLE PROJECTION
		10 OVER 30 UNDER	±0.25	MINOMIYA	04/02/06	1.25 W/B CONN. ASS'Y FOR SMT(ST.) -LEAD FREE-	METRIC	
		30 OVER	±0.3	CHECKED BY	DATE			
		ANGULAR	±3 °	APPROVED BY	DATE			
		DRAFT WHERE APPLICABLE MUST REMAIN WITHIN DIMENSIONS		MSASAO	04/02/06			
				MATERIAL NO.	SEE SHEET 2		MOLEX INCORPORATED	
				SIZE	THIS DRAWING CONTAINS INFORMATION THAT IS PROPRIETARY TO MOLEX INCORPORATED AND SHOULD NOT BE USED WITHOUT WRITTEN PERMISSION		DOCUMENT NO.	SHEET NO.
							SD-53398-032	1 OF 2

10 9 8 7 6 5 4 3 2 1

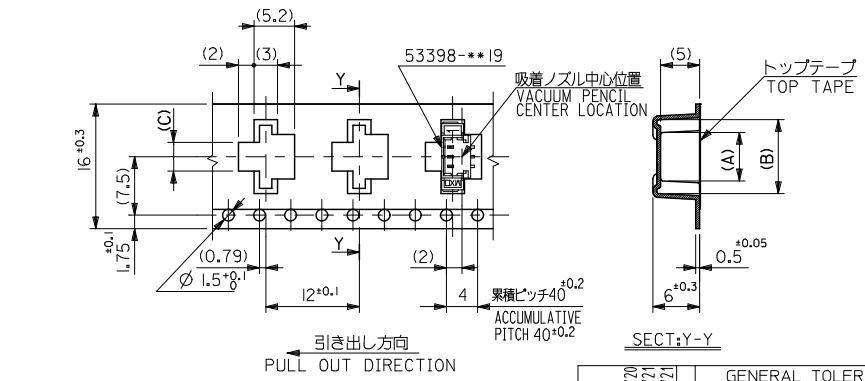
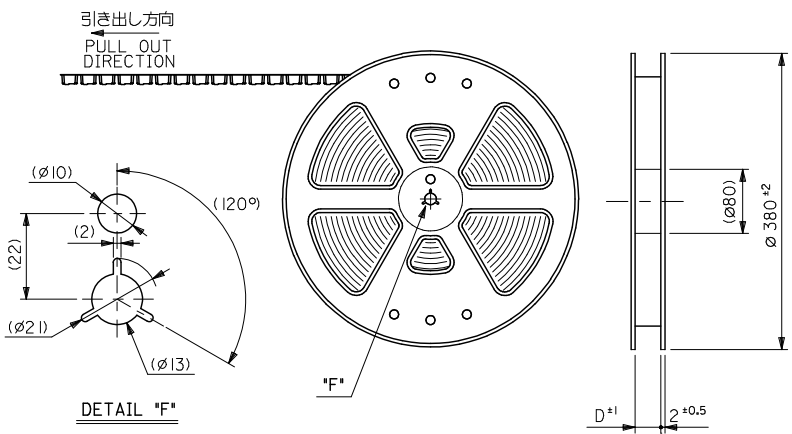
23.9	23.5	20.5	18.6	19.3	17.5	53398-1571	15
22.65	22.25	19.25	17.35	18.05	16.25	53398-1471	14
21.4	21	18	16.1	16.8	15	53398-1371	13
20.15	19.75	16.75	14.85	15.55	13.75	53398-1271	12
18.9	18.5	15.5	13.6	14.3	12.5	53398-1171	11
17.65	17.25	14.25	12.35	13.05	11.25	53398-1071	10
16.4	16	13	11.1	11.8	10	53398-0971	9
15.15	14.75	11.75	9.85	10.55	8.75	53398-0871	8
13.9	13.5	10.5	8.6	9.3	7.5	53398-0771	7
12.65	12.25	9.25	7.35	8.05	6.25	53398-0671	6
11.4	11	8	6.1	6.8	5	53398-0571	5
10.15	9.75	6.75	4.85	5.55	3.75	53398-0471	4
8.9	8.5	5.5	3.6	4.3	2.5	53398-0371	3
7.65	7.25	4.25	2.35	3.05	1.25	53398-0271	2
F	E	D	C	B	A	EMBOSSED TAPE PKG. (HIGH BARRIER PKG.) ORDER No.	REV. NO. OF CXTS.

CONNECTOR SERIES NO. 53398-\*\*19

REVISED EC NO: J2010-0213 DRAWN BY: IRWIN KOK 2009/09/25 CHECKED BY: CHYKUNIKITA 2009/09/25 APPROVED BY: APPRNIKITA 2009/09/28	GENERAL TOLERANCES (UNLESS SPECIFIED)		DIMENSION STYLE MM ONLY		SCALE ---	DESIGN UNITS METRIC	THIRD ANGLE PROJECTION
	10 UNDER	±0.2	DRAWN BY MININOMIYA	DATE 04/02/06	TITLE 1.25 W/B CONN. ASS'Y FOR SMT(ST.) -LEAD FREE-		
	10 OVER 30 UNDER	±0.25	CHECKED BY KT0JO	DATE 04/02/06	MOLEX INCORPORATED		
	30 OVER	±0.3	APPROVED BY MSASAO	DATE 04/02/06	MATERIAL NO. SEE TABLE	DOCUMENT NO. SD-53398-032	SHEET NO. 2 OF 2
ANGULAR ±3 °		DRAFT WHERE APPLICABLE MUST REMAIN WITHIN DIMENSIONS		THIS DRAWING CONTAINS INFORMATION THAT IS PROPRIETARY TO MOLEX INCORPORATED AND SHOULD NOT BE USED WITHOUT WRITTEN PERMISSION			

ib\_frame\_A3\_J\_ME\_S  
Rev. E 2006/04/15

9 8 7 6 5 4 3 2 EN-02JA(021)

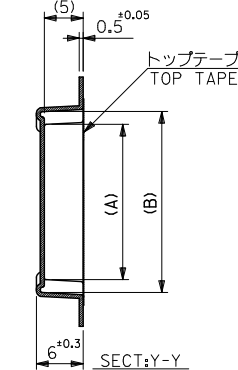
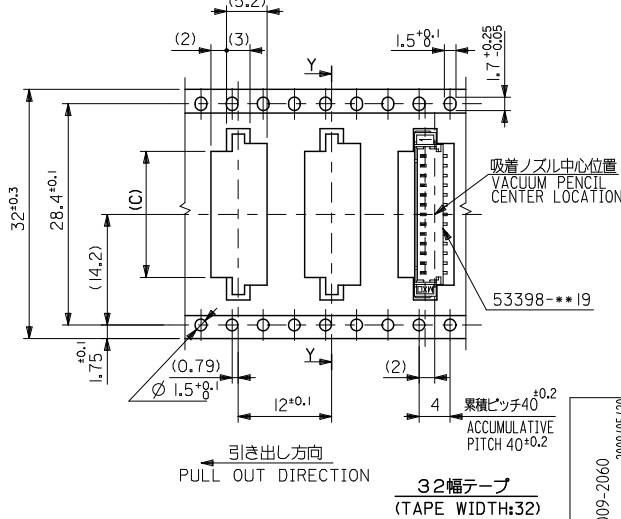
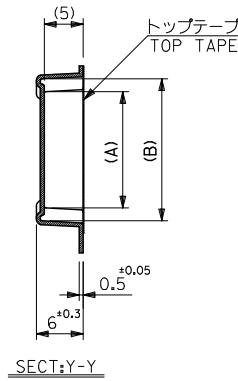
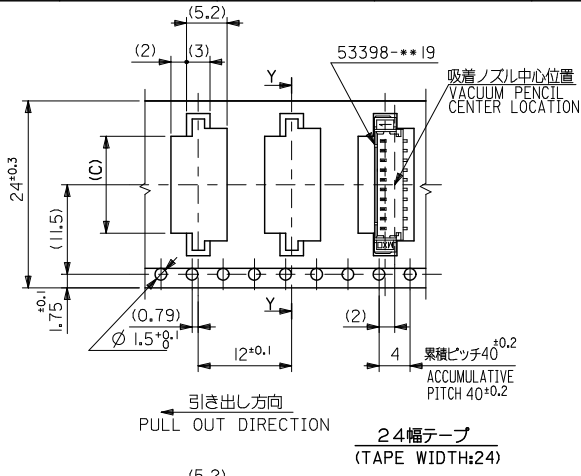


- NOTES**
- 梱包数量：1000個/リール  
NUMBER OF CONNECTOR:1000PCS/REEL
  - リードテープ長さ  
LEAD TAPE LENGTH  
トップテープ未接着部  
TOP TAPE NON-BONDED PART  
25 ± 10  
空エンボス 20 ~ 25PCS.  
NUMBER OF EMPTY PART  
部品挿入部  
COMPONENT SUPPLIER  
480 ± 80  
未端部 (空部)  
TAIL PART (EMPTY)  
360 ± 35  
引き出し方向  
PULL OUT DIRECTION  
剥離方向  
PEEL OFF DIRECTION  
10°
  - トップテープの剥離強度：0.6 ± 0.35N(60 ± 35gf) (剥離方向は下図参照)  
PEELING OFF FORCE OF TOP TAPE: 0.6 ± 0.35N(60 ± 35gf)  
(PEELING DIRECTION IS SHOWN IN FOLLOWING FIG.)  
<剥離速度：300mm/min (参考)>  
PEELING SPEED: 300mm/min. (REFERENCE)
  - 53398-\*\*\*19の詳細寸法については図面SD-53398-032を参照下さい。  
RE DETAILED DIMENSIONS, SEE SD-53398-032.
  - 材料 (MATERIAL)  
キャリアテープ (CARRIER TAPE): ポリプロピレン (POLYPROPYLENE)  
トップテープ (TOP TAPE): PET, PE, PEF  
リール (REEL): ポリスチレン (PS) <リサイクル材含む>  
POLYSTYRENE (PS) <RECYCLE MATERIAL CONTAINED>
  - 本製品は53398-\*\*\*90の鉛フリー品である。  
THIS PRODUCT IS LEAD FREE OF 53398-\*\*\*90.
  - 本製品は乾燥剤入り、ハイバリア梱包仕様である。  
THIS PRODUCT IS HIGH BARRIER PACKAGE WITH DESICCANT.

16	21.4	17.4	3.7	9.5	5.8	53398-037I	3
キャリアテープ幅 CARRIER TAPE WIDTH	E	D	(C)	(B)	(A)	53398-027I	2
						MATERIAL NO.	種数 CKT.

REVISED EC NO: J2009-2060 DRAWN BY CHYKOHMATSUOTO 2009/05/21 APPROVED BY APPRIKUNIKITA 2009/05/21	DESCRIPTION	GENERAL TOLERANCES (UNLESS SPECIFIED)		DIMENSION STYLE MM ONLY		SCALE	DESIGN UNITS	THIRD ANGLE PROJECTION
		10 UNDER	±0.2	DRAWN BY NINOMIYA	DATE '04/02/06	---	METRIC	◎
		10 OVER 30 UNDER	±0.25	CHECKED BY K. TOJO	DATE '04/02/06			
		30 OVER	±0.3	APPROVED BY M. SASAO	DATE '04/02/06			
		ANGULAR	±3 °	MATERIAL NO.	SEE TABLE & SHEET 2.3	MOLEX INCORPORATED		SHEET NO. 1 OF 3
		DRAFT WHERE APPLICABLE MUST REMAIN WITHIN DIMENSIONS		THIS DRAWING CONTAINS INFORMATION THAT IS PROPRIETARY TO MOLEX INCORPORATED AND SHOULD NOT BE USED WITHOUT WRITTEN PERMISSION				

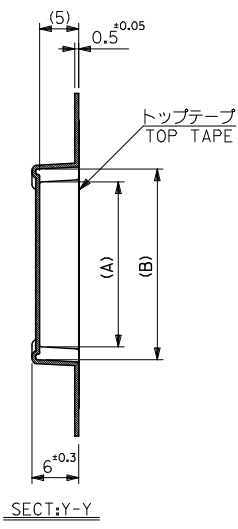
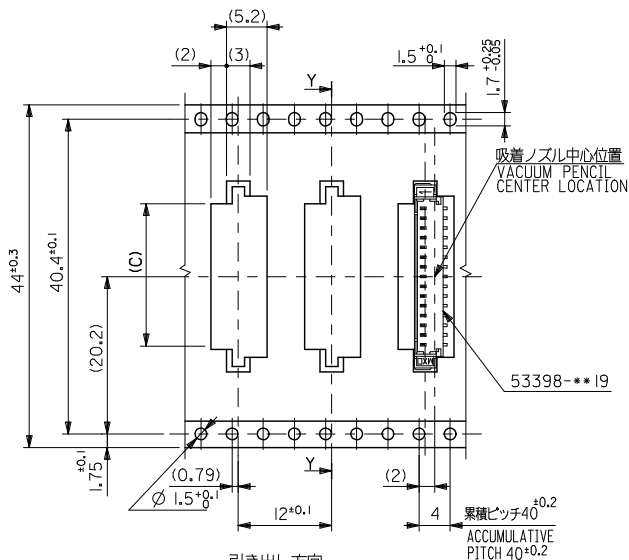
10 9 8 7 6 5 4 3 2 1



32	37.4	33.4	16.2	22	18.3	53398-1371	13	
24	29.4	25.4	14.95	20.75	17.05	-1271	12	
			13.7	19.5	15.8	-1171	11	
			12.45	18.25	14.55	-1071	10	
			11.2	17	13.3	-0971	9	
			9.95	15.75	12.05	-0871	8	
			8.7	14.5	10.8	-0771	7	
			7.45	13.25	9.55	-0671	6	
6.2	12	8.3	-0571	5				
4.95	10.75	7.05	53398-0471	4				
キャリアテープ幅 CARRIER TAPE WIDTH		E	D	(C)	(B)	(A)	MATERIAL NO.	種数 CKT.

REVISED ELC NO: J2009-2060 DRAWN BY: CHYKOHMATSUMOTO APPR: APRRNIKITA DATE: 2009/05/20 2009/05/21 2009/05/21	GENERAL TOLERANCES (UNLESS SPECIFIED)		DIMENSION STYLE MM ONLY		SCALE ---	DESIGN UNITS METRIC	THIRD ANGLE PROJECTION
	10 UNDER	±0.2	DRAWN BY NINOMIYA	DATE '04/02/06	TITLE 1.25 W/B CONN WAFER ASSY FOR SMT. EMBSTP. PKG. -LEAD FREE-		
	10 OVER 30 UNDER	±0.25	CHECKED BY K. TOJO	DATE '04/02/06	MOLEX INCORPORATED		
	30 OVER	±0.3	APPROVED BY M. SASAO	DATE '04/02/06	DOCUMENT NO. SD-53398-033		
	ANGULAR ±3°		MATERIAL NO. SEE TABLE & SHEET 1,3		SHEET NO. 2 OF 3		
DRAFT WHERE APPLICABLE MUST REMAIN WITHIN DIMENSIONS		SIZE 3 THIS DRAWING CONTAINS INFORMATION THAT IS PROPRIETARY TO MOLEX INCORPORATED AND SHOULD NOT BE USED WITHOUT WRITTEN PERMISSION					

10 9 8 7 6 5 4 3 2 1



44幅テープ (TAPE WIDTH:44)

44	49.4	45.4	18.7	24.5	20.8	53398-1571	15
キャリアテープ幅 CARRIER TAPE WIDTH	E	D	(C)	(B)	(A)	MATERIAL NO.	種数 CKT.

REVISED ELC NO: J2009-2060 DRAWN BY: NINOMIYA CHECKED BY: K. TOJO APPROVED BY: M. SASAO DATE: 2009/05/20 DATE: 2009/05/21 DATE: 2009/05/21	GENERAL TOLERANCES (UNLESS SPECIFIED)		DIMENSION STYLE MM ONLY		SCALE ---	DESIGN UNITS METRIC	THIRD ANGLE PROJECTION
	10 UNDER	±0.2	DRAWN BY NINOMIYA		DATE '04/02/06		
	10 OVER 30 UNDER	±0.25	CHECKED BY K. TOJO		DATE '04/02/06		
	30 OVER	±0.3	APPROVED BY M. SASAO		DATE '04/02/06		
ANGULAR ±3 °		DRAFT WHERE APPLICABLE MUST REMAIN WITHIN DIMENSIONS		MATERIAL NO. SEE TABLE & SHEET 12		DOCUMENT NO. SD-53398-033	
SIZE A3				THIS DRAWING CONTAINS INFORMATION THAT IS PROPRIETARY TO MOLEX INCORPORATED AND SHOULD NOT BE USED WITHOUT WRITTEN PERMISSION			

TITLE: 1.25 W/B CONN WAFER ASSY FOR SMT. EMBSTP. PKG. -LEAD FREE-

MOLEX INCORPORATED

SHEET NO. 3 OF 3