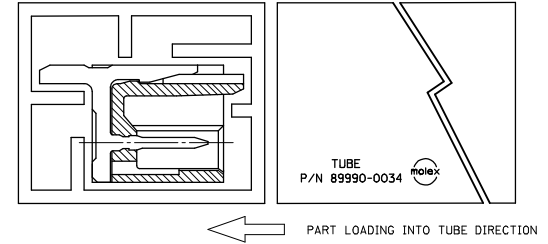
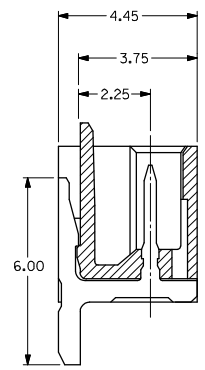
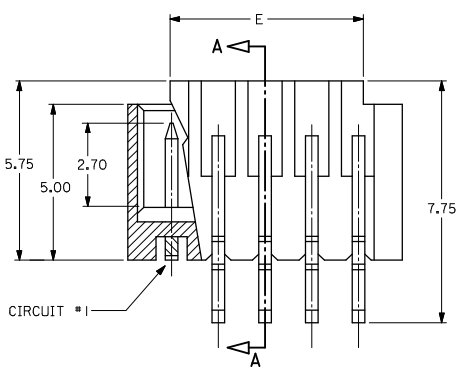
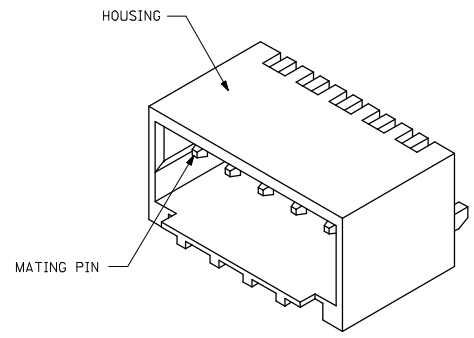
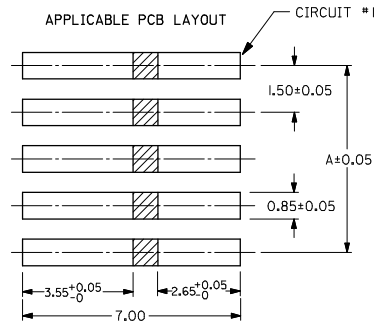
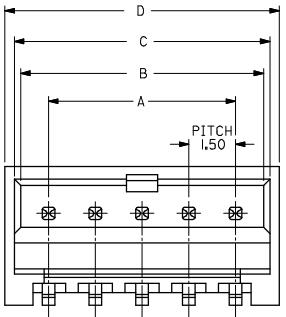


10 | 9 | 8 | 7 | 6 | 5 | 4 | 3 | 2 | 1



SECTION A-A

- NOTES:
- MATERIALS:
HOUSING: NYLON, GLASS-FILLED, UL94 V-0,
COLOR: SEE TABLE
PINS: BRASS ALLOY, C26000
 - PLATING: 2.54µM MIN. TIN OVER 1.27µM MIN. NICKEL.
 - DRAWING SHOWS PLUG WITH 5 CIRCUITS.
 - HEADER TO BE USED WITH CRIMP HOUSING, P/N 87439 AND CRIMP TERMINAL, P/N 87421
 - PARTS SHALL BE PACKED IN MOISTURE BARRIER BAG.

ADD TUBE DETAILS E.C. NO: S22008-0476 DRWNSKANG 2007/12/14 CHYKATSEE 2007/12/18 APPR:MLONG 2007/12/18	QUALITY SYMBOLS ▽=0 ▽=0	GENERAL TOLERANCES (UNLESS SPECIFIED)		DIMENSION STYLE	SCALE	DESIGN UNITS	THIRD ANGLE PROJECTION	
		mm	INCH	MM ONLY	NTS	METRIC		
		4 PLACES ± --- ± ---		DRAWN BY	DATE	TITLE	1.50MM PITCH, W-T-B HEADER, R/A, SMT	
		3 PLACES ± --- ± ---		CHECKED BY	DATE			
		2 PLACES ± 0.20 ± ---		SKTOH	1994/04/21			
		1 PLACE ± --- ± ---		APPROVED BY	DATE			
		ANGULAR ± 3°		RWONG	1994/04/24			
		DRAFT WHERE APPLICABLE MUST REMAIN WITHIN DIMENSIONS		MATERIAL NO.	SEE TABLE	DOCUMENT NO.	MOLEX INCORPORATED	
				SIZE	A3		SD-87438-**-31	
				THIS DRAWING CONTAINS INFORMATION THAT IS PROPRIETARY TO MOLEX INCORPORATED AND SHOULD NOT BE USED WITHOUT WRITTEN PERMISSION			SHEET NO.	1 OF 3

9 | 8 | 7 | 6 | 5 | 4 | 3 | 2 | 1

10 9 8 7 6 5 4 3 2 1

CKT SIZE	A	B	C	D	E
02	1.50	3.30	3.70	4.30	1.70
03	3.00	4.80	5.20	5.80	3.20
04	4.50	6.30	6.70	7.30	4.70
05	6.00	7.80	8.20	8.80	6.20
06	7.50	9.30	9.70	10.30	7.70
07	9.00	10.80	11.20	11.80	9.20
08	10.50	12.30	12.70	13.30	10.70
09	12.00	13.80	14.20	14.80	12.20
10	13.50	15.30	15.70	16.30	13.70
11	15.00	16.80	17.20	17.80	15.20
12	16.50	18.30	18.70	19.30	16.70
13	18.00	19.80	20.20	20.80	18.20
14	19.50	21.30	21.70	22.30	19.70
15	21.00	22.80	23.20	23.80	21.20

PART NUMBER ASSIGNMENT

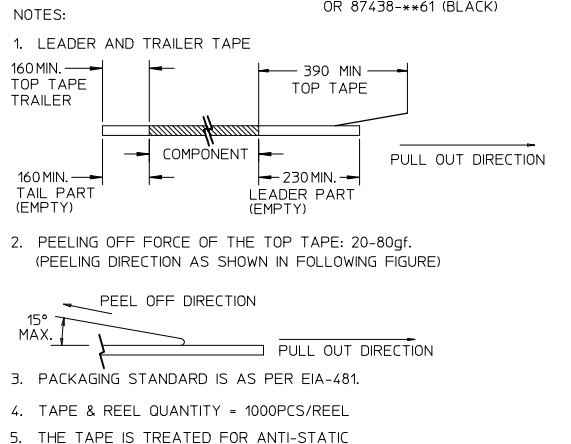
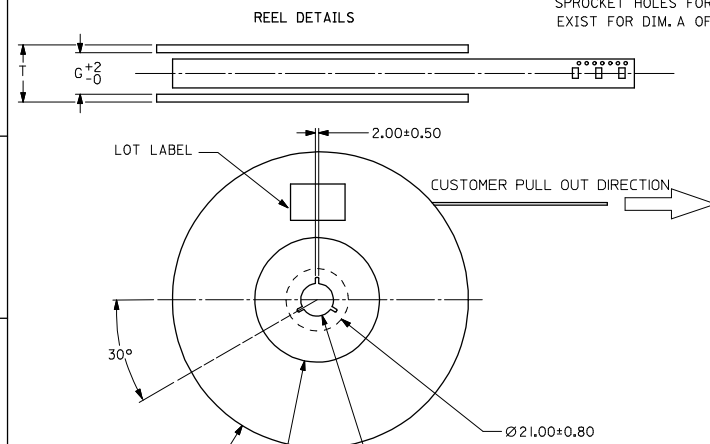
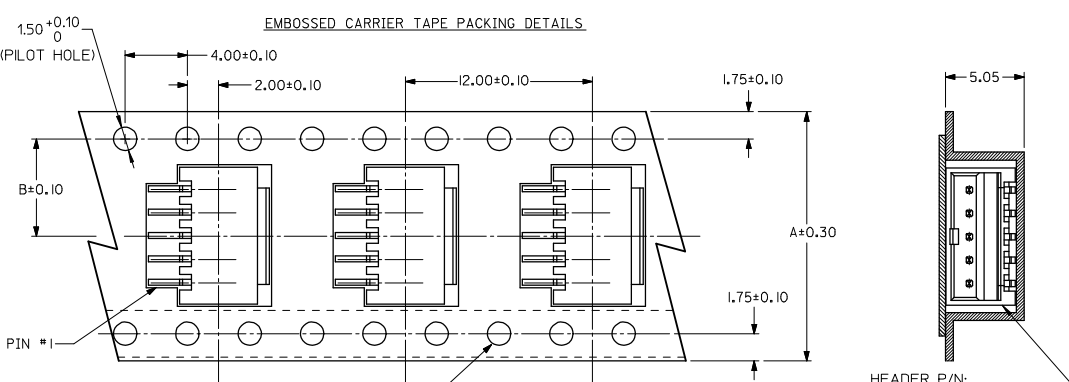
87438-XXXX

- 2- TUBE PACKAGING
- 3- TAPE AND REEL PACKAGING
- 4- BEIGE COLOR HSG
- 6- BLACK COLOR HSG
- 2 TO 15 - CIRCUIT SIZE

ADD TUBE DETAILS EEC NO: S2008-0476 DRWNSKANG 2007/12/14 CHYKATSEE 2007/12/18 APPR:MLONG 2007/12/18	DESCRIPTION REV	QUALITY SYMBOLS	GENERAL TOLERANCES (UNLESS SPECIFIED)	DIMENSION STYLE	SCALE	DESIGN UNITS	THIRD ANGLE PROJECTION
		▽=0 ▽=0	mm INCH 4 PLACES ± --- ± --- 3 PLACES ± --- ± --- 2 PLACES ± 0.20 ± --- 1 PLACE ± --- ± --- ANGULAR ± 3°	MM ONLY	NTS	METRIC	TITLE 1.50MM PITCH, W-T-B HEADER, R/A, SMT
		DRAFT WHERE APPLICABLE MUST REMAIN WITHIN DIMENSIONS	DRAWN BY DATE KCLING 1994/04/08 CHECKED BY DATE SKTOH 1994/04/21 APPROVED BY DATE RWONG 1994/04/24	MATERIAL NO. SEE TABLE	MOLEX INCORPORATED DOCUMENT NO. SD-87438-**31	SHEET NO. 2 OF 3	
		SIZE A3 THIS DRAWING CONTAINS INFORMATION THAT IS PROPRIETARY TO MOLEX INCORPORATED AND SHOULD NOT BE USED WITHOUT WRITTEN PERMISSION					

9 8 7 6 5 4 3 2 1

10	9	8	7	6	5	4	3	2	1
15	44	20.20	100	44.40	50.40				
11, 12, 13, 14	32	14.20	100	32.40	38.40				
7, 8, 9, 10	24	11.50	100	24.40	30.40				
2, 3, 4, 5, 6	16	7.50	100	16.40	22.40				
CIRCUIT SIZE	A	B	N	G	T MAX				



ADD TUBE DETAILS ELC NO: S22008-0476 DRAWNSKANG 2007/12/14 CHYKATSEE 2007/12/18 APPR:MLONG 2007/12/18 D3	QUALITY SYMBOLS $\blacktriangledown = 0$ $\nabla = 0$	GENERAL TOLERANCES (UNLESS SPECIFIED)		DIMENSION STYLE MM ONLY	SCALE NTS	DESIGN UNITS METRIC	THIRD ANGLE PROJECTION		
		4 PLACES \pm --- \pm ---	mm INCH	DRAWN BY KCLING 1994/04/08	DATE 1994/04/08	TITLE 1.50MM PITCH, W-T-B HEADER, R/A, SMT			
		3 PLACES \pm --- \pm ---		CHECKED BY SKTOH 1994/04/21	DATE 1994/04/21	MOLEX INCORPORATED			
		2 PLACES ± 0.20 \pm --- \pm --- 1 PLACE \pm --- \pm --- ANGULAR $\pm 3^\circ$		APPROVED BY RWONG 1994/04/24	DATE 1994/04/24	MATERIAL NO. SEE TABLE	DOCUMENT NO. SD-87438-**-31	SHEET NO. 3 OF 3	

tb_frame_A3_P_AM.T
Rev. E 2006/04/15