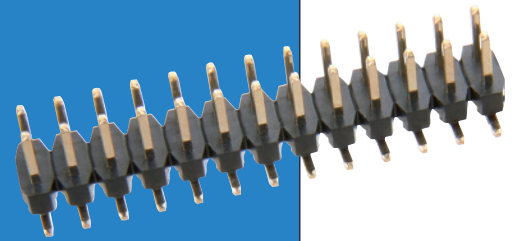


# M22 Connectors

## Male Vertical Surface Mount

- ❖ Suitable for use with female connectors shown on pages 104 to 107.
- ❖ Un-shrouded pin headers can be cut into smaller sizes.
- ❖ For alternative pin lengths see pin header variants on page 116.
- ❖ For pick and place cap and packed in tube – add P to the end of the part number.
- ❖ For pick and place cap in tape & reel packaging – add R to the end of the part number.

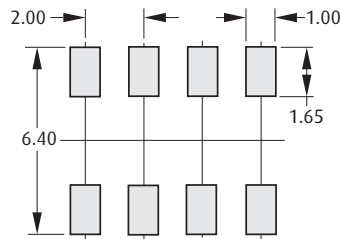
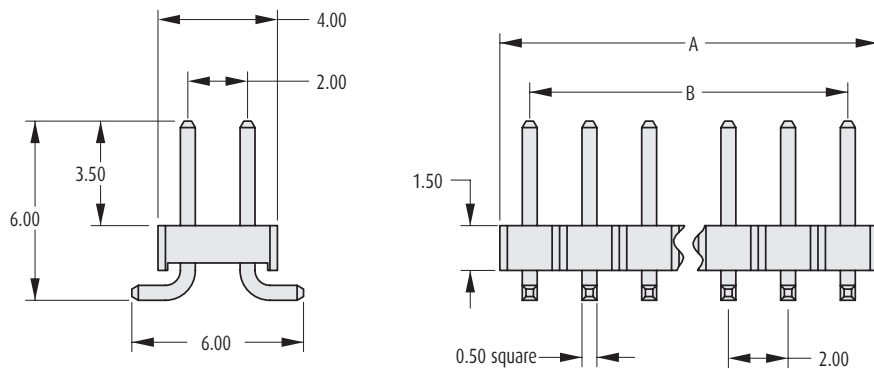


2mm (.080") PITCH

### DOUBLE ROW

### CALCULATION

<b>A</b>	2.00 x No. of ways per row
<b>B</b>	2.00 x (No. of ways per row - 1)



Recommended PC Board Pattern

### HOW TO ORDER

**M22 - 532 XX XX**

SERIES CODE

NO. OF WAYS PER ROW

02 to 25

### FINISH

05	Gold	
46	Tin	

All dimensions in mm.

[www.harwin.com](http://www.harwin.com)

