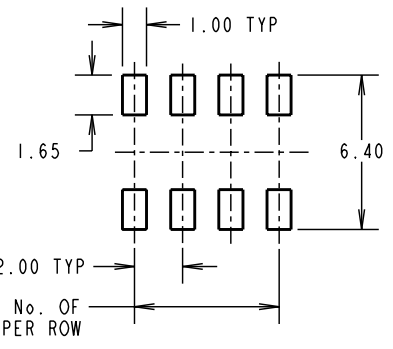
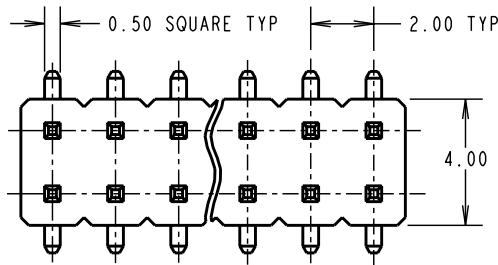


# Customer Information Sheet

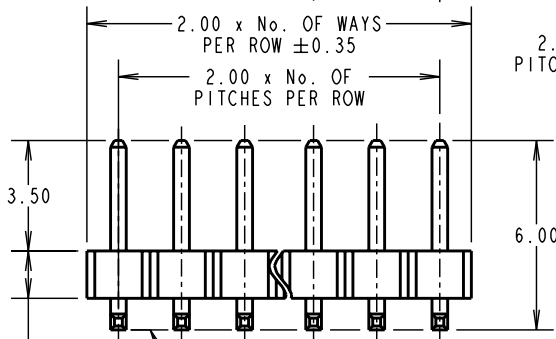
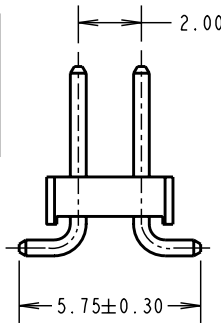
DRAWING No.: M22-532XXXX SHEET 3 OF 3 IF IN DOUBT - ASK (C) NOT TO SCALE THIRD ANGLE PROJECTION ALL DIMENSIONS IN mm

**SPECIFICATIONS:**  
**MATERIAL:**  
 MOULDING = NYLON 6T, UL94V-0, BLACK  
 CONTACTS = PHOSPHOR BRONZE  
**FINISH:**  
 05 = GOLD  
 46 = 100% TIN  
**ELECTRICAL:**  
 CURRENT RATING = 1A  
 CONTACT RESISTANCE = 20 mΩ MAX (GOLD), 30 mΩ MAX (TIN)  
 INSULATION RESISTANCE = 100 MΩ MIN  
**MECHANICAL:**  
 DURABILITY = 300 OPERATIONS (GOLD), 50 OPERATIONS (TIN)  
 DIELECTRIC STRENGTH = 650V AC/DC  
**ENVIRONMENTAL:**  
 TEMPERATURE RANGE = -40°C TO +105°C  
**PACKING:**  
 TUBE

FOR COMPLETE SPECIFICATION, SEE COMPONENT SPECIFICATION CO18XX (LATEST ISSUE)



No OF CONTACTS	COPLANARITY TOLERANCE
2x02 TO 2x12	0.10mm MAX
2x13 TO 2x20	0.15mm MAX
2x21 TO 2x25	0.20mm MAX



ORDER CODE:  
**M22-532XXXX**  
 No. OF WAYS PER ROW \_\_\_\_\_  
 02-25 \_\_\_\_\_  
 FINISH \_\_\_\_\_  
 05 - GOLD  
 46 - 100% TIN

CP	II	12.11.09	10564
NAME	ISS.	DATE	C/NOTE
APPROVED: C. PENROSE			
CHECKED: R. ADDE			
DRAWN: I. SANDY			
CUSTOMER REF.:			
ASSEMBLY DRG:			

- NOTES:**  
 1. ALL TOLERANCES ARE ±0.25 UNLESS OTHERWISE STATED.  
 2. SEE DRAWING M22-532XXXXP FOR PICK & PLACE VERSION, M22-532XXXXR FOR TAPE AND REELED.  
 3. CO-PLANARITY: FLATNESS OF SMT TAILS MUST NOT EXCEED VALUES GIVEN IN TABLE.

<b>HARWIN</b>			THIS DRAWING AND ANY INFORMATION OR DESCRIPTIVE MATTER SET OUT HEREON ARE CONFIDENTIAL AND COPYRIGHT PROPERTY OF THE HARWIN GROUP AND MUST NOT BE DISCLOSED, LOANED, COPIED OR USED FOR MANUFACTURING, TENDERING OR FOR ANY OTHER PURPOSE WITHOUT THEIR WRITTEN PERMISSION.	TOLERANCES <del>X = ± 1mm</del> <del>X.X = ± 0.25mm</del> <del>X.XX = ± 0.10mm</del> <del>X.XXX = ± 0.05mm</del> ANGLES = ± 5° UNLESS STATED	MATERIAL: SEE ABOVE FINISH: SEE ABOVE S/AREA: mm <sup>2</sup>	TITLE: 2.00mm PITCH DIL SMT PIN HEADER ASSEMBLY DRAWING NUMBER: M22-532XXXX	SHT 3 OF 3
HARWIN USA TEL: 603 893 5376 FAX: 603 893 5396 mis@harwin.com	HARWIN Europe (UK) TEL: 023 9231 4545 FAX: 023 9231 4590 mis@harwin.co.uk	HARWIN Asia TEL: +65 6 779 4909 FAX: +65 6 779 3868 mis@harwin.com.sg					