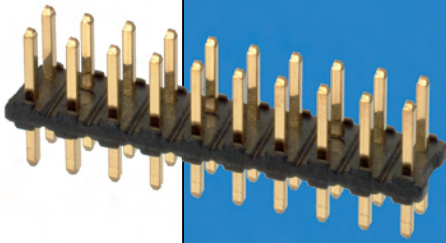


# M22 Connectors

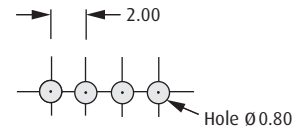
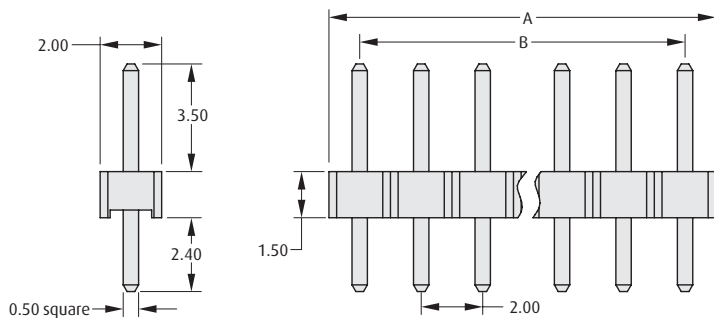
## Male Vertical PC Tail



- ❖ Suitable for use with female connectors shown on pages 104 to 107.
- ❖ Pin headers can be cut into smaller sizes.
- ❖ For alternatives pin lengths, see pin header variants on page 116.
- ❖ Please contact [technical@harwin.com](mailto:technical@harwin.com) for sizes above 25 ways per row, up to 50 ways per row.

2mm (.080") PITCH

### SINGLE ROW

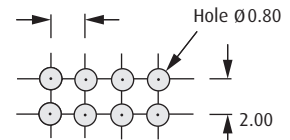
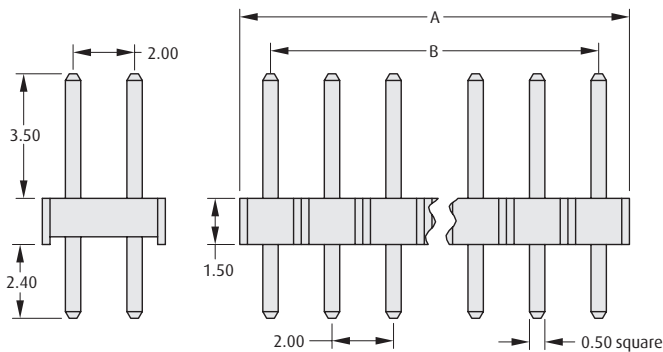


Recommended PC Board Pattern

### CALCULATION

<b>A</b>	2.00 x No. of ways per row
<b>B</b>	2.00 x (No. of ways per row - 1)

### DOUBLE ROW



Recommended PC Board Pattern

### HOW TO ORDER

**M22 - 25 X XX XX**

#### SERIES CODE

#### CONNECTOR TYPE

<b>1</b>	Single Row
<b>2</b>	Double Row

#### FINISH

<b>05</b>	Gold	
<b>46</b>	Tin	

#### NO. OF WAYS PER ROW

**02 to 25**

[www.harwin.com](http://www.harwin.com)

All dimensions in mm.



**HARWIN**