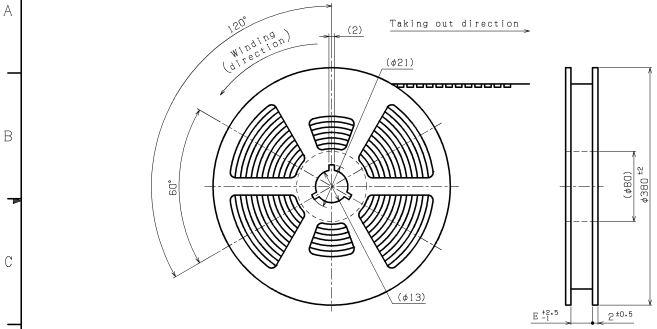
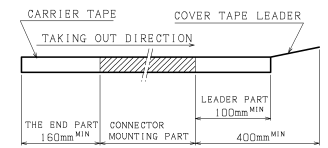


1 2 3 4 5 6 7 8 9 10 11 12

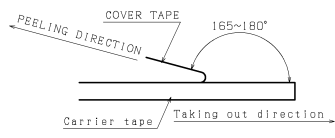
REV.	DESCRIPTION	DATE	DESIGNED
△	Color part No. is added.	AUG. 3.2007	T.S



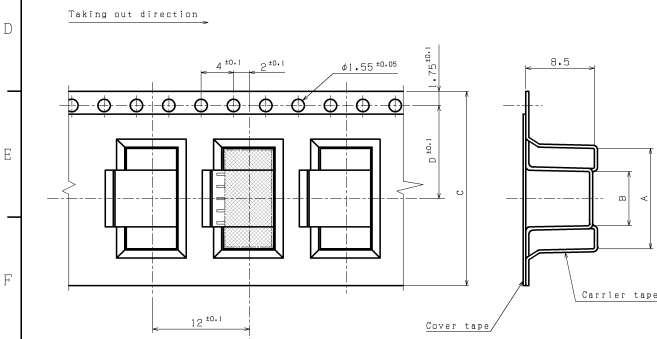
NOTE
 1.Connector part:See the DWG. of ZE connector.
 2.Quantity to be packaged:800pcs/reel
 3.Leading tape length.



4.Cover tape peel strength:0.1~1N
 (Peel speed:300mm/minute)



5.Material:Carrier tape:Polyester(PET)
 Cover tape :Polyester(PET)
 Reel :Flange:Polystyrene(PS)
 Core :Polypropylene(PP)
 Polystyrene(PS)
 6.Unless otherwise specified,
 tolerances are ±0.3



SUCTION TAPE CONFIGURATION

Color	Part No.
Natural	BM()-ZESS-TBT (LF) (SN)
△ Moss green	BM()-ZEMGS-TBT (LF) (SN)

Dim- Units	Dimensions					
	A	B	C	D	E	F
2	7.9	2.2	24.0	11.5	25.5	7.3
3	9.4	3.7	24.0	11.5	25.5	8.8
4	10.9	5.2	24.0	11.5	25.5	10.3
5	12.4	6.7	24.0	11.5	25.5	11.8
6	13.9	8.2	24.0	11.5	25.5	13.3

No.	PART NAME	MATERIAL	SURFACE FINISH	REMARKS
A2	METRIC 3:1	PROJECTION DATE	OUTSOUR	
APPROVED	CHECKED	DESIGNED	DRAWN	SERIES NAME
S.K		T.S	A.S	ZE CONNECTOR EMBOSSED-TAPING
				PART No. BM()B-ZE()S-TBT (LF) (SN)
				DRAWING No. KR D-41787

JST J.S.T.MFG.CO.,LTD.

THIS DRAWING CONTAINS INFORMATION THAT IS PROPRIETARY TO J.S.T. AND SHOULD NOT BE USED WITHOUT WRITTEN PERMISSION.

EC4113-2