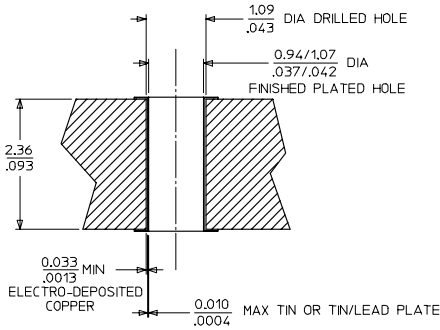


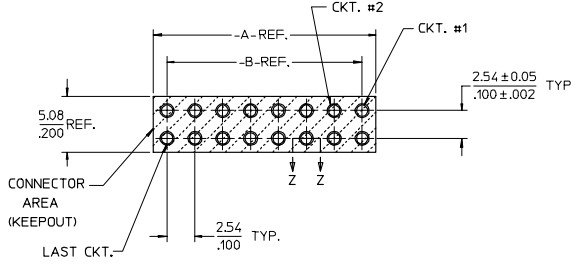
NOTE FOR LEAD FREE CONVERSION:

THE PRIMARY SHIPPING CARTON WILL BE LABELED "COMPLIANT TO ROHS DIRECTIVE 2002/95/EC AND ELV ANNEX II OF DIRECTIVE 2000/53/EC". CARTONS WITHOUT THIS LABEL MAY CONTAIN PRODUCT WITH LEAD.

- NOTES:
- MATERIAL:
INSULATOR: 30 % GLASS FILLED LCP, UL94V-0, COLOR: BLACK,
TERMINAL: COPPER ALLOY.
 - FINISH:
INSULATOR: NONE.
TERMINAL: PLATING (SEE CHART):
A- SELECT GOLD (0.76 MICROMETERS)/30 MICRONCHES MINIMUM,
SELECT TIN/LEAD (2.54 MICROMETERS)/100 MICRONCHES MINIMUM,
OVER NICKEL.*
B- SELECT GOLD (0.38 MICROMETERS)/15 MICRONCHES MINIMUM,
SELECT TIN/LEAD (2.54 MICROMETERS)/100 MICRONCHES MINIMUM,
OVER NICKEL.*
C- TIN (5.08 MICROMETERS)/200 MICRONCHES MINIMUM OVER NICKEL.
 - PRODUCT SPECIFICATION: PS-75100-001.
 - PACKAGING SPECIFICATION: PK-70873-0353.
 - RECOMMENDED PCB THICKNESS: (2.36)/.093 MINIMUM
 - THIS PART CONFORMS TO CLASS B REQUIREMENTS OF COSMETIC SPEC PS-45499-002.



SECTION Z-Z
SCALE: 20/1



RECOMMENDED PCB LAYOUT
(COMPONENT SIDE)

| CIRCUIT SIZE | DIM -A- | DIM -B- |
|--------------|-------------|------------|
| 4 | 4.83/190 | 2.54/100 |
| 6 | 7.37/290 | 5.08/200 |
| 8 | 9.91/390 | 7.62/300 |
| 10 | 12.45/490 | 10.16/400 |
| 12 | 14.99/590 | 12.70/500 |
| 14 | 17.53/690 | 15.24/600 |
| 16 | 20.07/790 | 17.78/700 |
| 18 | 22.61/890 | 20.32/800 |
| 20 | 25.15/990 | 22.86/900 |
| 22 | 27.69/1090 | 25.40/1000 |
| 24 | 30.23/1190 | 27.94/1100 |
| 26 | 32.77/1290 | 30.48/1200 |
| 28 | 35.31/1390 | 33.02/1300 |
| 30 | 37.85/1490 | 35.56/1400 |
| 32 | 40.39/1590 | 38.10/1500 |
| 34 | 42.93/1690 | 40.64/1600 |
| 36 | 45.47/1790 | 43.18/1700 |
| 38 | 48.01/1890 | 45.72/1800 |
| 40 | 50.55/1990 | 48.26/1900 |
| 42 | 53.09/2090 | 50.80/2000 |
| 44 | 55.63/2190 | 53.34/2100 |
| 46 | 58.17/2290 | 55.88/2200 |
| 48 | 60.71/2390 | 58.42/2300 |
| 50 | 63.25/2490 | 60.96/2400 |
| 52 | 65.79/2590 | 63.50/2500 |
| 54 | 68.33/2690 | 66.04/2600 |
| 56 | 70.87/2790 | 68.58/2700 |
| 58 | 73.41/2890 | 71.12/2800 |
| 60 | 75.95/2990 | 73.66/2900 |
| 62 | 78.49/3090 | 76.20/3000 |
| 64 | 81.03/3190 | 78.74/3100 |
| 66 | 83.57/3290 | 81.28/3200 |
| 68 | 86.11/3390 | 83.82/3300 |
| 70 | 88.65/3490 | 86.36/3400 |
| 72 | 91.19/3590 | 88.90/3500 |
| 74 | 93.73/3690 | 91.44/3600 |
| 76 | 96.27/3790 | 93.98/3700 |
| 78 | 98.81/3890 | 96.52/3800 |
| 80 | 101.35/3990 | 99.06/3900 |

| GENERAL DOCS | 2-3 | 1 | SHEET | REV |
|--------------|-----|---|-------|-----|
| ANNOTATOR | | | | |
| SOFTWARE | | | | |

| REV | DESCRIPTION |
|-------------------------|-------------|
| ADD SECTION Z-Z | |
| EC NO:UCP2007-1133 | |
| DRW:MSBARR006/12/05 | |
| CHK: SMILLER 2006/12/14 | |
| APPR:NEAZE 2006/12/14 | |

| QUALITY SYMBOLS | GENERAL TOLERANCES (UNLESS SPECIFIED) |
|-------------------------------|---------------------------------------|
| 4 PLACES ± --- | mm INCH |
| 3 PLACES ± --- | ± .010 |
| 2 PLACES ± 0.25 | ± --- |
| 1 PLACE ± --- | ± --- |
| ANGULAR ± 1/2 ° | |
| DRAFT WHERE APPLICABLE | |
| MUST REMAIN WITHIN DIMENSIONS | |

| SCALE | DESIGN UNITS |
|-------|-------------------|
| 4:1 | INCH |
| | MM/IN |
| | DIMENSION STYLE |
| | DRAWN BY DATE |
| | MARGULIS002/03/11 |
| | CHECKED BY DATE |
| | MARGULIS002/03/11 |
| | APPROVED BY DATE |
| | FRY 2002/03/11 |

| THIRD ANGLE PROJECTION | REVISE ON CAD ONLY |
|---|---------------------------|
| | |
| .100 DUAL ROW HEADER WITH CPI TERMINALS | |
| MOLEX INCORPORATED | |
| MATERIAL NO. SEE CHART ON SHEET 2 | DOCUMENT NO. SD-75102-001 |
| SHEET NO. 1 OF 3 | |

**CGRID 100 HEADER DUAL ROW
.COMPLIANT PIN**

| | |
|------------------|---------------|
| DIM M: | 6.10/.240 |
| DIM P: | 4.75/.187 |
| PLATING: | "A" – 30 GOLD |
| GOLD AREA DIM D: | 5.08/.200 |
| TIN AREA: | 4.75/.187 |
| VOID CKT: | NONE |
| PACKAGING: | PK-70873-0353 |

| CKT | MATERIAL NO. | CKT | MATERIAL NO. |
|-----|--------------|-----|--------------|
| -- | -- | 42 | 75102-0020 |
| 04 | 75102-0001 | 44 | 75102-0021 |
| 06 | 75102-0002 | 46 | 75102-0022 |
| 08 | 75102-0003 | 48 | 75102-0023 |
| 10 | 75102-0004 | 50 | 75102-0024 |
| 12 | 75102-0005 | 52 | 75102-0025 |
| 14 | 75102-0006 | 54 | 75102-0026 |
| 16 | 75102-0007 | 56 | 75102-0027 |
| 18 | 75102-0008 | 58 | 75102-0028 |
| 20 | 75102-0009 | 60 | 75102-0029 |
| 22 | 75102-0010 | 62 | 75102-0030 |
| 24 | 75102-0011 | 64 | 75102-0031 |
| 26 | 75102-0012 | 66 | 75102-0032 |
| 28 | 75102-0013 | 68 | 75102-0033 |
| 30 | 75102-0014 | 70 | 75102-0034 |
| 32 | 75102-0015 | 72 | 75102-0035 |
| 34 | 75102-0016 | 74 | 75102-0036 |
| 36 | 75102-0017 | 76 | 75102-0037 |
| 38 | 75102-0018 | 78 | 75102-0038 |
| 40 | 75102-0019 | 80 | 75102-0039 |

| | |
|------------------|---------------|
| DIM M: | 6.10/.240 |
| DIM P: | 4.75/.187 |
| PLATING: | "B" – 15 GOLD |
| GOLD AREA DIM D: | 5.08/.200 |
| TIN AREA: | 4.75/.187 |
| VOID CKT: | NONE |
| PACKAGING: | PK-70873-0353 |

| CKT | MATERIAL NO. | CKT | MATERIAL NO. |
|-----|--------------|-----|--------------|
| -- | -- | 42 | 75102-0059 |
| 04 | 75102-0040 | 44 | 75102-0060 |
| 06 | 75102-0041 | 46 | 75102-0061 |
| 08 | 75102-0042 | 48 | 75102-0062 |
| 10 | 75102-0043 | 50 | 75102-0063 |
| 12 | 75102-0044 | 52 | 75102-0064 |
| 14 | 75102-0045 | 54 | 75102-0065 |
| 16 | 75102-0046 | 56 | 75102-0066 |
| 18 | 75102-0047 | 58 | 75102-0067 |
| 20 | 75102-0048 | 60 | 75102-0068 |
| 22 | 75102-0049 | 62 | 75102-0069 |
| 24 | 75102-0050 | 64 | 75102-0070 |
| 26 | 75102-0051 | 66 | 75102-0071 |
| 28 | 75102-0052 | 68 | 75102-0072 |
| 30 | 75102-0053 | 70 | 75102-0073 |
| 32 | 75102-0054 | 72 | 75102-0074 |
| 34 | 75102-0055 | 74 | 75102-0075 |
| 36 | 75102-0056 | 76 | 75102-0076 |
| 38 | 75102-0057 | 78 | 75102-0077 |
| 40 | 75102-0058 | 80 | 75102-0078 |

| | |
|------------------|---------------|
| DIM M: | 6.10/.240 |
| DIM P: | 4.75/.187 |
| PLATING: | "C" - TIN |
| GOLD AREA DIM D: | N/A |
| TIN AREA: | OVERALL |
| VOID CKT: | NONE |
| PACKAGING: | PK-70873-0353 |

| CKT | MATERIAL NO. | CKT | MATERIAL NO. |
|-----|--------------|-----|--------------|
| -- | -- | 42 | 75102-0098 |
| 04 | 75102-0079 | 44 | 75102-0099 |
| 06 | 75102-0080 | 46 | 75102-0100 |
| 08 | 75102-0081 | 48 | 75102-0101 |
| 10 | 75102-0082 | 50 | 75102-0102 |
| 12 | 75102-0083 | 52 | 75102-0103 |
| 14 | 75102-0084 | 54 | 75102-0104 |
| 16 | 75102-0085 | 56 | 75102-0105 |
| 18 | 75102-0086 | 58 | 75102-0106 |
| 20 | 75102-0087 | 60 | 75102-0107 |
| 22 | 75102-0088 | 62 | 75102-0108 |
| 24 | 75102-0089 | 64 | 75102-0109 |
| 26 | 75102-0090 | 66 | 75102-0110 |
| 28 | 75102-0091 | 68 | 75102-0111 |
| 30 | 75102-0092 | 70 | 75102-0112 |
| 32 | 75102-0093 | 72 | 75102-0113 |
| 34 | 75102-0094 | 74 | 75102-0114 |
| 36 | 75102-0095 | 76 | 75102-0115 |
| 38 | 75102-0096 | 78 | 75102-0116 |
| 40 | 75102-0097 | 80 | 75102-0117 |

NOTE: SHEET 1 IS AN ANNOTATOR DOCUMENT

| | | | |
|--|--|--|---------------------------------|
| REV: E | SEE SHT 1 | TITLE: .100 DUAL ROW HEADER WITH CPI TERMINALS | SHEET No. 2 |
| DOCUMENT NUMBER: SD- 75102-001 | CREATED / REVISED BY: SAMIEC | CHECKED BY: MARGULIS | APPROVED BY: MARGULIS |

TEMPLATE FILENAME: PRODUCT_SPEC\SIZE_A\{V.1}.DOC

**CGRID 100 HEADER DUAL ROW
.COMPLIANT PIN**

| | |
|------------------|---------------|
| DIM M: | 6.10/.240 |
| DIM P: | 4.75/.187 |
| PLATING: | "A" – 30 GOLD |
| GOLD AREA DIM D: | 5.08/.200 |
| TIN AREA: | 4.75/.187 |
| VOID CKT: | 37 |
| PACKAGING: | PK-70873-0353 |

| | |
|------------------|---------------|
| DIM M: | 6.10/.240 |
| DIM P: | 4.75/.187 |
| PLATING: | "A" – 30 GOLD |
| GOLD AREA DIM D: | 5.08/.200 |
| TIN AREA: | 4.75/.187 |
| VOID CKT: | 28 |
| PACKAGING: | PK-70873-0353 |

| | |
|------------------|---------------|
| DIM M: | 6.10/.240 |
| DIM P: | 4.75/.187 |
| PLATING: | "A" – 30 GOLD |
| GOLD AREA DIM D: | 5.08/.200 |
| TIN AREA: | 4.75/.187 |
| VOID CKT: | 10 |
| PACKAGING: | PK-70873-0353 |

| CKT | MATERIAL NO. | CKT | MATERIAL NO. |
|-----|--------------|-----|--------------|
| -- | -- | 42 | 75102-0121 |
| 04 | -- | 44 | 75102-0122 |
| 06 | -- | 46 | 75102-0123 |
| 08 | -- | 48 | 75102-0124 |
| 10 | -- | 50 | 75102-0125 |
| 12 | -- | 52 | 75102-0126 |
| 14 | -- | 54 | 75102-0127 |
| 16 | -- | 56 | 75102-0128 |
| 18 | -- | 58 | 75102-0129 |
| 20 | -- | 60 | 75102-0130 |
| 22 | -- | 62 | 75102-0131 |
| 24 | -- | 64 | 75102-0132 |
| 26 | -- | 66 | 75102-0133 |
| 28 | -- | 68 | 75102-0134 |
| 30 | -- | 70 | 75102-0135 |
| 32 | -- | 72 | 75102-0136 |
| 34 | -- | 74 | 75102-0137 |
| 36 | -- | 76 | 75102-0138 |
| 38 | 75102-0118 | 78 | 75102-0139 |
| 40 | 75102-0120 | 80 | 75102-0140 |

| CKT | MATERIAL NO. | CKT | MATERIAL NO. |
|-----|--------------|-----|--------------|
| -- | -- | 42 | 75102-0147 |
| 04 | -- | 44 | 75102-0148 |
| 06 | -- | 46 | 75102-0149 |
| 08 | -- | 48 | 75102-0150 |
| 10 | -- | 50 | 75102-0151 |
| 12 | -- | 52 | 75102-0152 |
| 14 | -- | 54 | 75102-0153 |
| 16 | -- | 56 | 75102-0154 |
| 18 | -- | 58 | 75102-0155 |
| 20 | -- | 60 | 75102-0156 |
| 22 | -- | 62 | 75102-0157 |
| 24 | -- | 64 | 75102-0158 |
| 26 | -- | 66 | 75102-0159 |
| 28 | 75102-0141 | 68 | 75102-0160 |
| 30 | 75102-0142 | 70 | 75102-0161 |
| 32 | 75102-0143 | 72 | 75102-0162 |
| 34 | 75102-0144 | 74 | 75102-0163 |
| 36 | 75102-0145 | 76 | 75102-0164 |
| 38 | 75102-0119 | 78 | 75102-0165 |
| 40 | 75102-0146 | 80 | 75102-0166 |

| CKT | MATERIAL NO. | CKT | MATERIAL NO. |
|-----|--------------|-----|--------------|
| -- | -- | 42 | 75102-0183 |
| 04 | -- | 44 | 75102-0184 |
| 06 | -- | 46 | 75102-0185 |
| 08 | -- | 48 | 75102-0186 |
| 10 | 75102-0167 | 50 | 75102-0187 |
| 12 | 75102-0168 | 52 | 75102-0188 |
| 14 | 75102-0169 | 54 | 75102-0189 |
| 16 | 75102-0170 | 56 | 75102-0190 |
| 18 | 75102-0171 | 58 | 75102-0191 |
| 20 | 75102-0172 | 60 | 75102-0192 |
| 22 | 75102-0173 | 62 | 75102-0193 |
| 24 | 75102-0174 | 64 | 75102-0194 |
| 26 | 75102-0175 | 66 | 75102-0195 |
| 28 | 75102-0176 | 68 | 75102-0196 |
| 30 | 75102-0177 | 70 | 75102-0197 |
| 32 | 75102-0178 | 72 | 75102-0198 |
| 34 | 75102-0179 | 74 | 75102-0199 |
| 36 | 75102-0180 | 76 | 75102-0200 |
| 38 | 75102-0181 | 78 | 75102-0201 |
| 40 | 75102-0182 | 80 | 75102-0202 |

| | | | |
|--|--|--|---------------------------------|
| REV: E | SEE SHT 1 | TITLE: .100 DUAL ROW HEADER WITH CPI TERMINALS | SHEET No. 3 |
| DOCUMENT NUMBER: SD- 75102-001 | CREATED / REVISED BY: SAMIEC | CHECKED BY: MARGULIS | APPROVED BY: MARGULIS |

TEMPLATE FILENAME: PRODUCT_SPEC\SIZE_A\|V.1|.DOC

**CGRID 100 HEADER DUAL ROW
.COMPLIANT PIN**

| | |
|------------------|---------------|
| DIM M: | 6.10/.240 |
| DIM P: | 4.75/.187 |
| PLATING: | "A" – 50 GOLD |
| GOLD AREA DIM D: | 5.08/.200 |
| TIN AREA: | 4.75/.187 |
| VOID CKT: | NONE |
| PACKAGING: | PK-70873-0353 |

| | |
|------------------|--|
| DIM M: | |
| DIM P: | |
| PLATING: | |
| GOLD AREA DIM D: | |
| TIN AREA: | |
| VOID CKT: | |
| PACKAGING: | |

| | |
|------------------|--|
| DIM M: | |
| DIM P: | |
| PLATING: | |
| GOLD AREA DIM D: | |
| TIN AREA: | |
| VOID CKT: | |
| PACKAGING: | |

| CKT | MATERIAL NO. | CKT | MATERIAL NO. |
|-----|--------------|-----|--------------|
| -- | -- | 42 | 75102-0222 |
| 04 | 75102-0203 | 44 | 75102-0223 |
| 06 | 75102-0204 | 46 | 75102-0224 |
| 08 | 75102-0205 | 48 | 75102-0225 |
| 10 | 75102-0206 | 50 | 75102-0226 |
| 12 | 75102-0207 | 52 | 75102-0227 |
| 14 | 75102-0208 | 54 | 75102-0228 |
| 16 | 75102-0209 | 56 | 75102-0229 |
| 18 | 75102-0210 | 58 | 75102-0230 |
| 20 | 75102-0211 | 60 | 75102-0231 |
| 22 | 75102-0212 | 62 | 75102-0232 |
| 24 | 75102-0213 | 64 | 75102-0233 |
| 26 | 75102-0214 | 66 | 75102-0234 |
| 28 | 75102-0215 | 68 | 75102-0235 |
| 30 | 75102-0216 | 70 | 75102-0236 |
| 32 | 75102-0217 | 72 | 75102-0237 |
| 34 | 75102-0218 | 74 | 75102-0238 |
| 36 | 75102-0219 | 76 | 75102-0239 |
| 38 | 75102-0220 | 78 | 75102-0240 |
| 40 | 75102-0221 | 80 | 75102-0241 |

| CKT | MATERIAL NO. | CKT | MATERIAL NO. |
|-----|--------------|-----|--------------|
| -- | -- | 42 | |
| 04 | | 44 | |
| 06 | | 46 | |
| 08 | | 48 | |
| 10 | | 50 | |
| 12 | | 52 | |
| 14 | | 54 | |
| 16 | | 56 | |
| 18 | | 58 | |
| 20 | | 60 | |
| 22 | | 62 | |
| 24 | | 64 | |
| 26 | | 66 | |
| 28 | | 68 | |
| 30 | | 70 | |
| 32 | | 72 | |
| 34 | | 74 | |
| 36 | | 76 | |
| 38 | | 78 | |
| 40 | | 80 | |

| CKT | MATERIAL NO. | CKT | MATERIAL NO. |
|-----|--------------|-----|--------------|
| -- | -- | 42 | |
| 04 | | 44 | |
| 06 | | 46 | |
| 08 | | 48 | |
| 10 | | 50 | |
| 12 | | 52 | |
| 14 | | 54 | |
| 16 | | 56 | |
| 18 | | 58 | |
| 20 | | 60 | |
| 22 | | 62 | |
| 24 | | 64 | |
| 26 | | 66 | |
| 28 | | 68 | |
| 30 | | 70 | |
| 32 | | 72 | |
| 34 | | 74 | |
| 36 | | 76 | |
| 38 | | 78 | |
| 40 | | 80 | |

NOTE: SHEET 1 IS AN ANNOTATOR DOCUMENT

| | | | |
|--|--|--|---------------------------------|
| REV: E | SEE SHT 1 | TITLE: .100 DUAL ROW HEADER WITH CPI TERMINALS | SHEET No. 4 |
| DOCUMENT NUMBER: SD- 75102-001 | CREATED / REVISED BY: SAMIEC | CHECKED BY: MARGULIS | APPROVED BY: MARGULIS |

TEMPLATE FILENAME: PRODUCT_SPEC\SIZE_A\{V.1}.DOC