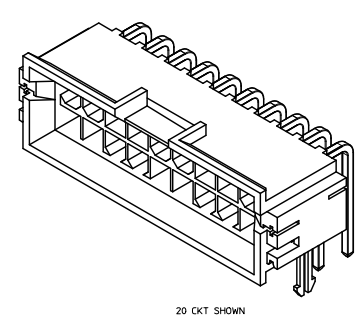
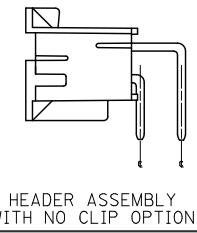
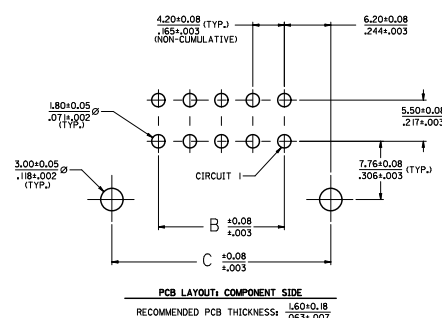
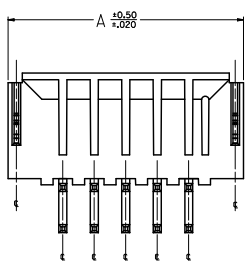
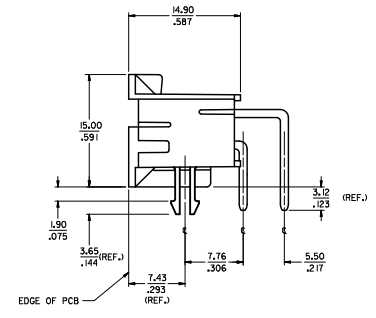
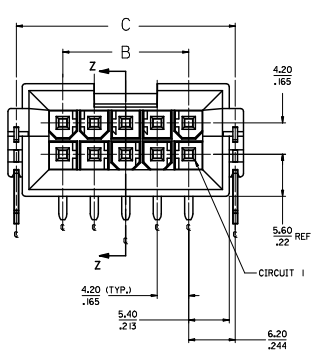


20 19 18 17 16 15 14 13 12 11 10 9 8 7 6 5 4 3 2 1



- NOTES
- MATERIALS
HOUSING: NYLON 4/6 UL 94V-0 GLASS FILLED, COLOR: BLACK
TERMINAL: BRASS
BOARD RETENTION CLIP: BRASS
 - FINISHES:
TERMINAL:
1- $0.00254/0.00100$ MIN. BRIGHT TIN OVER
 $0.00127/0.000050$ MIN. NICKEL
2- $0.00076/0.000030$ MIN. GOLD OVER
 $0.00127/0.000050$ MIN. NICKEL
3- $0.00076/0.000030$ MIN. SELECT GOLD AND
 $0.00254/0.000000$ MIN. SELECT MATTE TIN
OVER $0.00127/0.000050$ MIN. NICKEL OVERALL
MOUNTING CLIP:
 $0.00254/0.000100$ MIN. MATTE TIN OVER
 $0.00127/0.000050$ MIN. NICKEL
 - PRODUCT SPECIFICATION: PS-43810-001
 - PACKAGING SPECIFICATION: PK-43810-001
 - PARTS MATE WITH MOLEX RECTANGLE #5557 AND #42474 AND #42385 HEADER
 - PART ALLOWS FOR $0.27/0.050$ MAX MIS-ALIGNMENT WITH MATING HOUSINGS IN ANY DIRECTION
 - CONNECTOR ASSEMBLIES ARE NOT TO BE MATED AND UNMATED WHILE CIRCUITS ARE LIVE
 - PARTS ARE NOT DESIGNED FOR CURRENT SHARING
 - DISCOLORATION IN THE BANDOLIER CARRIER AREA OF THE PIN IS INHERENT TO THE PLATING PROCESS AND IS DUE TO THE MASKING EFFECT OF THE CARRIER. THIS DISCOLORATION IS IN A NON-FUNCTIONAL AREA OF THE PIN AND WILL NOT AFFECT THE PERFORMANCE OF THE HEADER ASSEMBLY.
 - PART CONFORMS TO CLASS 'B' REQUIREMENTS OF COSMETIC SPECIFICATION PS-45499-002

2	G
1	G
SHT.	REV.

MODIFIED NOTES: EDCUS: 2009/06/18 G: DENNIS JAGUILAR 2010/07/26 CHKCD: BELL 2010/07/26 APPROF: SMITH 2010/06/04	QUALITY SYMBOLS	GENERAL TOLERANCES (UNLESS SPECIFIED)	DIMENSION STYLE	SCALE	DESIGN UNITS	THIRD ANGLE PROJECTION																
	$\nabla = 0$ $\nabla = 0$ $\nabla = 0$	<table border="1"> <thead> <tr> <th></th> <th>MIN</th> <th>INCH</th> </tr> </thead> <tbody> <tr> <td>4 PLACES ±---</td> <td>±---</td> <td>±---</td> </tr> <tr> <td>3 PLACES ±---</td> <td>±.010</td> <td>±---</td> </tr> <tr> <td>2 PLACES ±.25</td> <td>±.014</td> <td>±---</td> </tr> <tr> <td>1 PLACE ±0.35</td> <td>±---</td> <td>±---</td> </tr> </tbody> </table> ANGULAR ±1/2°		MIN	INCH	4 PLACES ±---	±---	±---	3 PLACES ±---	±.010	±---	2 PLACES ±.25	±.014	±---	1 PLACE ±0.35	±---	±---	MM/IN DRAWN BY: MANLAPAZ CHECKED BY: BANDURA APPROVED BY: EDGLEY	DATE: 01-06-97 DATE: 03-26-97 DATE: 03-26-97	4:1 METRIC	MINI-FIT JR BMI SMC RIGHT ANGLE HEADER ASM. FOR 1.6/063 THK. PCB	MOLEX INCORPORATED
		MIN	INCH																			
	4 PLACES ±---	±---	±---																			
3 PLACES ±---	±.010	±---																				
2 PLACES ±.25	±.014	±---																				
1 PLACE ±0.35	±---	±---																				
DRAFT WHERE APPLICABLE MUST REMAIN WITHIN DIMENSIONS	SEE CHART THIS DRAWING CONTAINS INFORMATION THAT IS PROPRIETARY TO MOLEX INCORPORATED AND SHOULD NOT BE USED WITHOUT WRITTEN PERMISSION	MATERIAL NO. SD-43810-011 DOCUMENT NO. SD-43810-011	SHEET NO. 1 OF 2																			

MATERIAL NO.	CIRCUIT SIZE	CLIP OPTION	DIM. 'A'	DIM. 'B'	DIM. 'C'	FINISH
43810-0001	4	YES	.81	4.20	16.60	1
43810-0002	6	YES	23.01	8.40	20.80	1
43810-0003	8	YES	27.21	12.60	25.00	1
43810-0004	10	YES	31.41	16.80	29.20	1
43810-0005	12	YES	35.61	21.00	33.40	1
43810-0006	14	YES	39.81	25.20	37.60	1
43810-0007	16	YES	44.01	29.40	41.80	1
43810-0008	18	YES	48.21	33.60	46.00	1
43810-0009	20	YES	52.41	37.80	50.20	1
43810-0010	22	YES	56.61	42.00	54.40	1
43810-0011	24	YES	60.81	46.20	58.60	1
43810-0012	4	YES	.81	4.20	16.60	2
43810-0013	6	YES	23.01	8.40	20.80	2
43810-0014	8	YES	27.21	12.60	25.00	2
43810-0015	10	YES	31.41	16.80	29.20	2
43810-0016	12	YES	35.61	21.00	33.40	2
43810-0017	14	YES	39.81	25.20	37.60	2
43810-0018	16	YES	44.01	29.40	41.80	2
43810-0019	18	YES	48.21	33.60	46.00	2
43810-0020	20	YES	52.41	37.80	50.20	2
43810-0021	22	YES	56.61	42.00	54.40	2
43810-0022	24	YES	60.81	46.20	58.60	2
43810-0600	4	YES	.81	4.20	16.60	3
43810-0601	6	YES	23.01	8.40	20.80	3
43810-0602	8	YES	27.21	12.60	25.00	3
43810-0603	10	YES	31.41	16.80	29.20	3
43810-0604	12	YES	35.61	21.00	33.40	3
43810-0605	14	YES	39.81	25.20	37.60	3
43810-0606	16	YES	44.01	29.40	41.80	3
43810-0607	18	YES	48.21	33.60	46.00	3
43810-0608	20	YES	52.41	37.80	50.20	3
43810-0609	22	YES	56.61	42.00	54.40	3
43810-0610	24	YES	60.81	46.20	58.60	3

N = NOT TOOLED

MATERIAL NO.	CIRCUIT SIZE	CLIP OPTION	DIM. 'A'	DIM. 'B'	DIM. 'C'	FINISH
43810-0199	4	NO	.81	4.20	16.60	1
43810-0200	6	NO	23.01	8.40	20.80	1
43810-0201	8	NO	27.21	12.60	25.00	1
43810-0202	10	NO	31.41	16.80	29.20	1
43810-0203	12	NO	35.61	21.00	33.40	1
43810-0204	14	NO	39.81	25.20	37.60	1
43810-0205	16	NO	44.01	29.40	41.80	1
43810-0206	18	NO	48.21	33.60	46.00	1
43810-0207	20	NO	52.41	37.80	50.20	1
43810-0208	22	NO	56.61	42.00	54.40	1
43810-0209	24	NO	60.81	46.20	58.60	1
43810-0210	4	NO	.81	4.20	16.60	2
43810-0211	6	NO	23.01	8.40	20.80	2
43810-0212	8	NO	27.21	12.60	25.00	2
43810-0213	10	NO	31.41	16.80	29.20	2
43810-0214	12	NO	35.61	21.00	33.40	2
43810-0215	14	NO	39.81	25.20	37.60	2
43810-0216	16	NO	44.01	29.40	41.80	2
43810-0217	18	NO	48.21	33.60	46.00	2
43810-0218	20	NO	52.41	37.80	50.20	2
43810-0219	22	NO	56.61	42.00	54.40	2
43810-0220	24	NO	60.81	46.20	58.60	2
43810-0611	4	NO	.81	4.20	16.60	3
43810-0612	6	NO	23.01	8.40	20.80	3
43810-0613	8	NO	27.21	12.60	25.00	3
43810-0614	10	NO	31.41	16.80	29.20	3
43810-0615	12	NO	35.61	21.00	33.40	3
43810-0616	14	NO	39.81	25.20	37.60	3
43810-0617	16	NO	44.01	29.40	41.80	3
43810-0618	18	NO	48.21	33.60	46.00	3
43810-0619	20	NO	52.41	37.80	50.20	3
43810-0620	22	NO	56.61	42.00	54.40	3
43810-0621	24	NO	60.81	46.20	58.60	3

N = NOT TOOLED

APPROVED BY TO CHART EUCEN LECHE G. CRIVELLO CHICO BELL APPROVAL DATE 2010/06/24	QUALITY SYMBOLS ∇=0 ∇=0 ∇=0	GENERAL TOLERANCES (UNLESS SPECIFIED) 4 PLACES ±.010 ±.010 3 PLACES ±.010 ±.010 2 PLACES ±.025 ±.014 1 PLACE ±.035 ±.010 ANGULAR ±1/2°	DIMENSION STYLE MM/IN DRAWN BY DATE MANLAPAZ 01-06-97 CHECKED BY DATE BANDURA 03-26-97 APPROVED BY DATE F. SMERLEY 03-26/06/03	SCALE --- DESIGN UNITS METRIC	THIRD ANGLE PROJECTION	
	DRAFT WHERE APPLICABLE MUST REMAIN WITHIN DIMENSIONS		SEE CHART	MOLEX INCORPORATED	SHEET NO. 2 OF 2	
	THIS DRAWING CONTAINS INFORMATION THAT IS PROPRIETARY TO MOLEX INCORPORATED AND SHOULD NOT BE USED WITHOUT WRITTEN PERMISSION		DOCUMENT NO. SD-43810-011			
	MOLEX INCORPORATED					