

10 9 8 7 6 5 4 3 2 1

- NOTES :
1. MATERIAL:-
 - PIN:- (0.65)/.0255 SQ. BRASS WIRE.
 - HOUSING:- 15% GLASS FILLED POLYESTER
 - UL 94 V-0 COLOUR BLACK

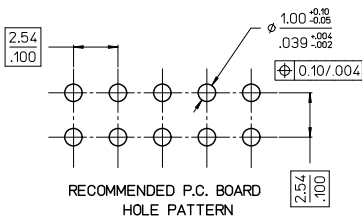
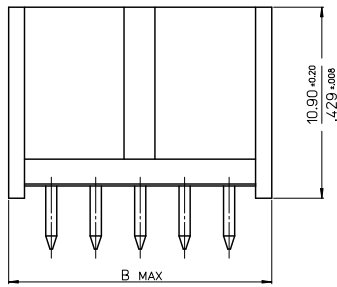
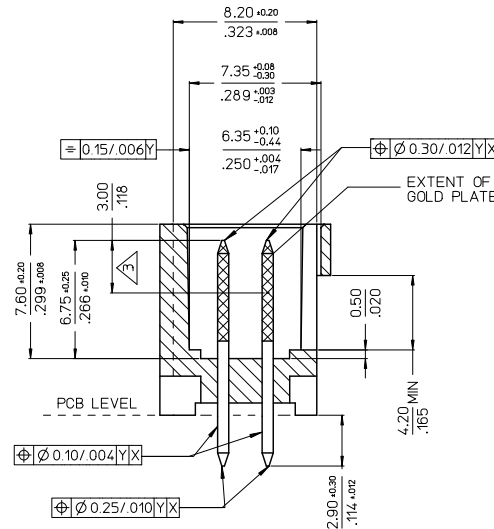
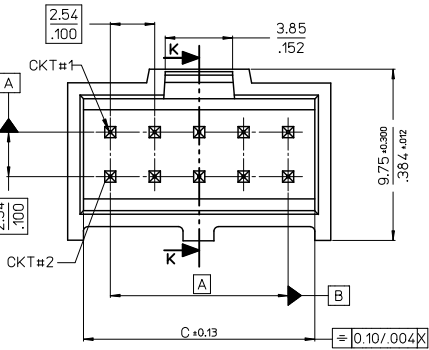
2. FOR PLATING VERSIONS AND VOID VERSIONS
 SEE SHEET 2.

3. MEASUREMENT POINT FOR MINIMUM PLATING THICKNESS.

4. FOR PRODUCT SPEC SEE PS-99020-0001

5. RECOMMENDED PCB THICKNESS: 1.60mm

| CKT | DIM A | DIM B | DIM C |
|-----|----------------|----------------|----------------|
| 6 | (5.08)/ .200 | (9.96)/ .392 | (8.12)/ .320 |
| 8 | (7.62)/ .300 | (12.50)/ .492 | (10.66)/ .420 |
| 10 | (10.16)/ .400 | (15.04)/ .592 | (13.20)/ .520 |
| 12 | (12.70)/ .500 | (17.58)/ .692 | (15.74)/ .620 |
| 14 | (15.24)/ .600 | (20.12)/ .792 | (18.28)/ .720 |
| 16 | (17.78)/ .700 | (22.66)/ .892 | (20.82)/ .820 |
| 18 | (20.32)/ .800 | (25.20)/ .992 | (23.36)/ .920 |
| 20 | (22.86)/ .900 | (27.74)/ 1.092 | (25.90)/ 1.020 |
| 22 | (25.40)/ 1.000 | (30.28)/ 1.192 | (28.44)/ 1.120 |
| 24 | (27.94)/ 1.100 | (32.82)/ 1.292 | (30.98)/ 1.220 |
| 26 | (30.48)/ 1.200 | (35.36)/ 1.392 | (33.52)/ 1.320 |
| 28 | (33.02)/ 1.300 | (37.90)/ 1.492 | (36.06)/ 1.420 |
| 30 | (35.56)/ 1.400 | (40.44)/ 1.592 | (38.60)/ 1.520 |
| 32 | (38.10)/ 1.500 | (42.98)/ 1.692 | (41.15)/ 1.620 |
| 34 | (40.64)/ 1.600 | (45.52)/ 1.792 | (43.68)/ 1.720 |
| 36 | (43.18)/ 1.700 | (48.06)/ 1.892 | (46.22)/ 1.820 |
| 38 | (45.72)/ 1.800 | (50.60)/ 1.992 | (48.76)/ 1.920 |
| 40 | (48.26)/ 1.900 | (53.14)/ 2.092 | (51.30)/ 2.020 |
| 42 | (50.80)/ 2.000 | (55.68)/ 2.192 | (53.84)/ 2.120 |
| 44 | (53.34)/ 2.100 | (58.22)/ 2.292 | (56.38)/ 2.220 |
| 46 | (55.88)/ 2.200 | (60.76)/ 2.392 | (58.92)/ 2.320 |
| 48 | (58.42)/ 2.300 | (63.30)/ 2.492 | (61.46)/ 2.420 |
| 50 | (60.96)/ 2.400 | (65.84)/ 2.592 | (64.00)/ 2.520 |
| 52 | (63.50)/ 2.500 | (68.38)/ 2.692 | (66.54)/ 2.620 |
| 54 | (66.04)/ 2.600 | (70.92)/ 2.792 | (69.08)/ 2.720 |
| 56 | (68.58)/ 2.700 | (73.46)/ 2.892 | (71.62)/ 2.820 |
| 58 | (71.12)/ 2.800 | (76.00)/ 2.992 | (74.16)/ 2.920 |
| 60 | (73.66)/ 2.900 | (78.54)/ 3.092 | (76.70)/ 3.020 |
| 62 | (76.20)/ 3.000 | (81.08)/ 3.192 | (79.24)/ 3.120 |
| 64 | (78.74)/ 3.100 | (83.62)/ 3.292 | (81.78)/ 3.220 |
| 66 | (81.28)/ 3.200 | (86.16)/ 3.392 | (84.32)/ 3.320 |
| 68 | (83.82)/ 3.300 | (88.70)/ 3.492 | (86.86)/ 3.420 |



| | | |
|--------------------|-------------|-----------------|
| REVISED | DESCRIPTION | QUALITY SYMBOLS |
| EC NO: SZ2011-0579 | | ▽=0 |
| BY: DRWNSKANG | | ▽=0 |
| CHKD: ATSEE | | ▽=0 |
| APPR: MLONG | | |
| DATE: 2011/03/08 | | |
| DATE: 2011/03/22 | | |
| DATE: 2011/03/22 | | |

| GENERAL TOLERANCES (UNLESS SPECIFIED) | |
|--|--------|
| 4 PLACES | ± .004 |
| 3 PLACES | ± .010 |
| 2 PLACES | ± .015 |
| 1 PLACE | ± .020 |
| ANGULAR ± 1/2° | |
| DRAFT WHERE APPLICABLE MUST REMAIN WITHIN DIMENSIONS | |

| | | | |
|-----------------|--------------|--------------------|------------------------|
| DIMENSION STYLE | SCALE | DESIGN UNITS | THIRD ANGLE PROJECTION |
| MM/IN | NTS | METRIC | |
| DRAWN BY | DATE | TITLE | |
| KS | 1988/08/23 | C-GRID III | |
| CHECKED BY | DATE | DUAL ROW STRAIGHT | |
| ATSEE | 2010/02/11 | SHROUDED HEADER | |
| APPROVED BY | DATE | MOLEX INCORPORATED | |
| MLONG | 2010/02/19 | | |
| MATERIAL NO. | DOCUMENT NO. | SHEET NO. | |
| SEE TABLE | SDA-90130 | 1 OF 4 | |

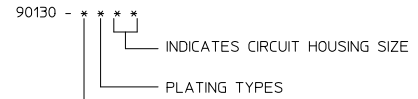
THIS DRAWING CONTAINS INFORMATION THAT IS PROPRIETARY TO MOLEX INCORPORATED AND SHOULD NOT BE USED WITHOUT WRITTEN PERMISSION

9 8 7 6 5 4 3 2 1

VERSION FULLY LOADED

NOTES :

- 1. FOR ASSEMBLY, SEE SHEET 1.
- 2. REFER TO LEGEND FOR PLATING OPTIONS.



STYLE: - 1. STRAIGHT PIN VERSION
8. VERSION WITH VOIDS

- 1 - TYPE A:
3.04µm MIN. TIN OVER 1.27µm - 2.54µm NICKEL.
- 2 - TYPE B:
0.38µm MIN. GOLD IN SELECTED AREA & 3.04µm MIN. TIN IN SELECTED AREA OVER 1.3µm MIN. NICKEL OVERALL.
- 3 - TYPE C:
0.76µm MIN. GOLD IN SELECTED AREA & 3.04µm MIN. TIN IN SELECTED AREA OVER 1.3µm MIN. NICKEL OVERALL.
- 4 - TYPE D:
0.05 -0.10µm GOLD FLASH IN SELECTED AREA & 3.04µm MIN. TIN IN SELECTED AREA OVER 1.3µm MIN. NICKEL OVERALL.

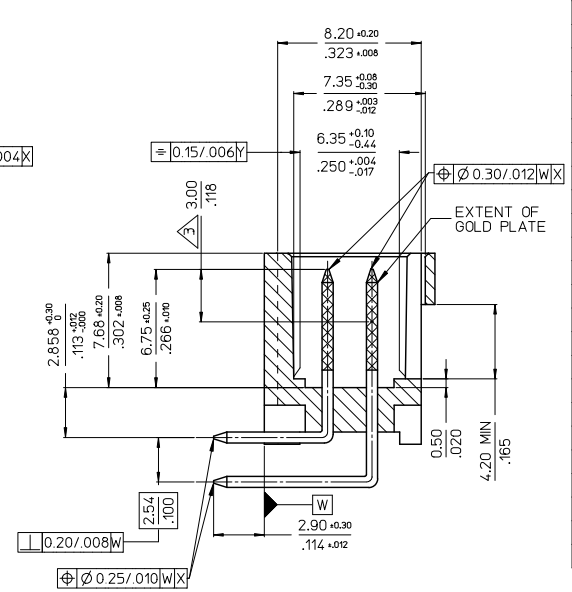
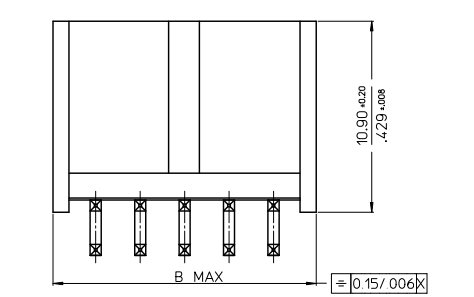
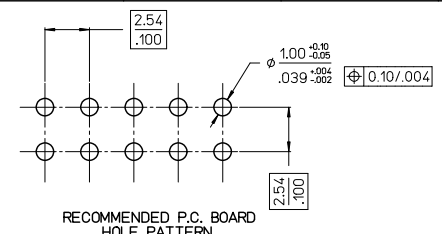
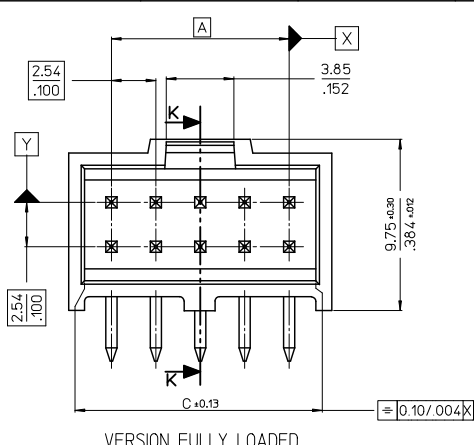
VOIDED OPTIONS

| NO OF CKTS | HSG CKT SIZE | VOIDED PART NUMBER | VOID POSITION | PLATING TYPE |
|------------|--------------|--------------------|---------------|--------------|
| 11 | 12 | 90130-8212 | 12 | B |
| 9 | 10 | 90130-8309 | 2 | C |
| 9 | 10 | 90130-8311 | 1 | C |
| 11 | 12 | 90130-8213 | 2 | B |
| 11 | 12 | 90130-8313 | 2 | C |

| NO OF CKTS | HSG CKT SIZE | PART NUMBER | | | |
|------------|--------------|----------------|----------------|----------------|----------------|
| | | PLATING TYPE A | PLATING TYPE B | PLATING TYPE C | PLATING TYPE D |
| 6 | 6 | 90130-X106 | 90130-X206 | 90130-X306 | 90130-X406 |
| 8 | 8 | X108 | X208 | X308 | X408 |
| 10 | 10 | X110 | X210 | X310 | X410 |
| 12 | 12 | X112 | X212 | X312 | X412 |
| 14 | 14 | X114 | X214 | X314 | X414 |
| 16 | 16 | X116 | X216 | X316 | X416 |
| 18 | 18 | X118 | X218 | X318 | X418 |
| 20 | 20 | X120 | X220 | X320 | X420 |
| 22 | 22 | X122 | X222 | X322 | X422 |
| 24 | 24 | X124 | X224 | X324 | X424 |
| 26 | 26 | X126 | X226 | X326 | X426 |
| 28 | 28 | X128 | X228 | X328 | X428 |
| 30 | 30 | X130 | X230 | X330 | X430 |
| 32 | 32 | X132 | X232 | X332 | X432 |
| 34 | 34 | X134 | X234 | X334 | X434 |
| 36 | 36 | X136 | X236 | X336 | X436 |
| 38 | 38 | X138 | X238 | X338 | X438 |
| 40 | 40 | X140 | X240 | X340 | X440 |
| 42 | 42 | X142 | X242 | X342 | X442 |
| 44 | 44 | X144 | X244 | X344 | X444 |
| 46 | 46 | X146 | X246 | X346 | X446 |
| 48 | 48 | X148 | X248 | X348 | X448 |
| 50 | 50 | X150 | X250 | X350 | X450 |
| 52 | 52 | X152 | X252 | X352 | X452 |
| 54 | 54 | X154 | X254 | X354 | X454 |
| 56 | 56 | X156 | X256 | X356 | X456 |
| 58 | 58 | X158 | X258 | X358 | X458 |
| 60 | 60 | X160 | X260 | X360 | X460 |
| 62 | 62 | X162 | X262 | X362 | X462 |
| 64 | 64 | X164 | X264 | X364 | X464 |
| 66 | 66 | X166 | X266 | X366 | X466 |
| 68 | 68 | 90130-X168 | 90130-X268 | 90130-X368 | 90130-X468 |

| | | | | | | | | | |
|--|--------------------------------------|---|--|--------------------------|---------------------------|---|---|------------------------|--|
| REVISED E.C. NO: S2011-0579 DRW:SKANG CHK:ATSEE APPR:MLONG 2011/03/08 2011/03/22 2011/03/22 | QUALITY SYMBOLS ∇=0 ∇=0 ∇=0 | GENERAL TOLERANCES (UNLESS SPECIFIED) | | DIMENSION STYLE MM/IN | | SCALE NTS | DESIGN UNITS METRIC | THIRD ANGLE PROJECTION | |
| | | 4 PLACES ± --- ± --- 3 PLACES ± --- ± .004 2 PLACES ± 0.10 ± --- 1 PLACE ± --- ± --- | mm INCH | DRAWN BY KS | DATE 1988/08/23 | TITLE C-GRID III DUAL ROW STRAIGHT SHROUDED HEADER | | | |
| | | ANGULAR ±1/2° | DRAFT WHERE APPLICABLE MUST REMAIN WITHIN DIMENSIONS | CHECKED BY ATSEE | DATE 2010/02/11 | MOLEX INCORPORATED | | | |
| | | MATERIAL NO. SEE TABLE | APPROVED BY MLONG | DATE 2010/02/19 | DOCUMENT NO. SDA-90130 | SHEET NO. 2 OF 4 | THIS DRAWING CONTAINS INFORMATION THAT IS PROPRIETARY TO MOLEX INCORPORATED AND SHOULD NOT BE USED WITHOUT WRITTEN PERMISSION | | |

10 9 8 7 6 5 4 3 2 1



| CKT | DIM A | DIM B | DIM C |
|-----|----------------|----------------|----------------|
| 6 | (5.08)/ .200 | (9.96)/ .392 | (8.12)/ .320 |
| 8 | (7.62)/ .300 | (12.50)/ .492 | (10.66)/ .420 |
| 10 | (10.16)/ .400 | (15.04)/ .592 | (13.20)/ .520 |
| 12 | (12.70)/ .500 | (17.58)/ .692 | (15.74)/ .620 |
| 14 | (15.24)/ .600 | (20.12)/ .792 | (18.28)/ .720 |
| 16 | (17.78)/ .700 | (22.66)/ .892 | (20.82)/ .820 |
| 18 | (20.32)/ .800 | (25.20)/ .992 | (23.36)/ .920 |
| 20 | (22.86)/ .900 | (27.74)/ 1.092 | (25.90)/ 1.020 |
| 22 | (25.40)/ 1.000 | (30.28)/ 1.192 | (28.44)/ 1.120 |
| 24 | (27.94)/ 1.100 | (32.82)/ 1.292 | (30.98)/ 1.220 |
| 26 | (30.48)/ 1.200 | (35.36)/ 1.392 | (33.52)/ 1.320 |
| 28 | (33.02)/ 1.300 | (37.90)/ 1.492 | (36.06)/ 1.420 |
| 30 | (35.56)/ 1.400 | (40.44)/ 1.592 | (38.60)/ 1.520 |
| 32 | (38.10)/ 1.500 | (42.98)/ 1.692 | (41.15)/ 1.620 |
| 34 | (40.64)/ 1.600 | (45.52)/ 1.792 | (43.68)/ 1.720 |
| 36 | (43.18)/ 1.700 | (48.06)/ 1.892 | (46.22)/ 1.820 |
| 38 | (45.72)/ 1.800 | (50.60)/ 1.992 | (48.76)/ 1.920 |
| 40 | (48.26)/ 1.900 | (53.14)/ 2.092 | (51.30)/ 2.020 |
| 42 | (50.80)/ 2.000 | (55.68)/ 2.192 | (53.84)/ 2.120 |
| 44 | (53.34)/ 2.100 | (58.22)/ 2.292 | (56.38)/ 2.220 |
| 46 | (55.88)/ 2.200 | (60.76)/ 2.392 | (58.92)/ 2.320 |
| 48 | (58.42)/ 2.300 | (63.30)/ 2.492 | (61.46)/ 2.420 |
| 50 | (60.96)/ 2.400 | (65.84)/ 2.592 | (64.00)/ 2.520 |
| 52 | (63.50)/ 2.500 | (68.38)/ 2.692 | (66.54)/ 2.620 |
| 54 | (66.04)/ 2.600 | (70.92)/ 2.792 | (69.08)/ 2.720 |
| 56 | (68.58)/ 2.700 | (73.46)/ 2.892 | (71.62)/ 2.820 |
| 58 | (71.12)/ 2.800 | (76.00)/ 2.992 | (74.16)/ 2.920 |
| 60 | (73.66)/ 2.900 | (78.54)/ 3.092 | (76.70)/ 3.020 |
| 62 | (76.20)/ 3.000 | (81.08)/ 3.192 | (79.24)/ 3.120 |
| 64 | (78.74)/ 3.100 | (83.62)/ 3.292 | (81.78)/ 3.220 |
| 66 | (81.28)/ 3.200 | (86.16)/ 3.392 | (84.32)/ 3.320 |
| 68 | (83.82)/ 3.300 | (88.70)/ 3.492 | (86.86)/ 3.420 |

- NOTES :
- MATERIAL:-
- PIN:- (0.65)/.0255 SQ. BRASS WIRE.
- HOUSING:- 15% GLASS FILLED POLYESTER
- UL 94 V-0 COLOUR BLACK
 - FOR PLATING VERSIONS AND VOID VERSIONS SEE SHEET 2.
 - MEASUREMENT POINT FOR MINIMUM PLATING THICKNESS.
 - FOR PRODUCT SPEC SEE PS-99020-0001
 - RECOMMENDED PCB THICKNESS: 1.60mm

| | | | | | | |
|---|--|--|---|--------------------|--|------------------------|
| REVISED E.C. NO: S2011-0579 BY: DRWNSKANG CHKD: ATSEE APPR: MLONG 2011/03/08 2011/03/22 2011/03/22 | QUALITY SYMBOLS | GENERAL TOLERANCES (UNLESS SPECIFIED) | DIMENSION STYLE | SCALE | DESIGN UNITS | THIRD ANGLE PROJECTION |
| | $\nabla = 0$ $\nabla = 0$ $\nabla = 0$ | mm INCH 4 PLACES ± --- ± --- 3 PLACES ± --- ± .004 2 PLACES ± 0.10 ± --- 1 PLACE ± --- ± --- ANGULAR ± 1/2° | MM/IN | NTS | METRIC | |
| | DESCRIPTION | DRAFT WHERE APPLICABLE MUST REMAIN WITHIN DIMENSIONS | DRAWN BY: KS CHECKED BY: ATSEE APPROVED BY: MLONG DATE: 1988/08/23 DATE: 2010/02/11 DATE: 2010/02/19 | TITLE | C-GRID III DUAL ROW STRAIGHT SHROUDED HEADER | |
| | MATERIAL NO. SEE TABLE | | DOCUMENT NO. SDA-90130 | MOLEX INCORPORATED | | SHEET NO. 3 OF 4 |

VERSION FULLY LOADED

| NO OF CKTS | HSG CKT SIZE | PART NUMBER | | |
|------------|--------------|----------------|----------------|----------------|
| | | PLATING TYPE A | PLATING TYPE B | PLATING TYPE C |
| 6 | 6 | 90130-X106 | 90130-X206 | 90130-X306 |
| 8 | 8 | X108 | X208 | X308 |
| 10 | 10 | X110 | X210 | X310 |
| 12 | 12 | X112 | X212 | X312 |
| 14 | 14 | X114 | X214 | X314 |
| 16 | 16 | X116 | X216 | X316 |
| 18 | 18 | X118 | X218 | X318 |
| 20 | 20 | X120 | X220 | X320 |
| 22 | 22 | X122 | X222 | X322 |
| 24 | 24 | X124 | X224 | X324 |
| 26 | 26 | X126 | X226 | X326 |
| 28 | 28 | X128 | X228 | X328 |
| 30 | 30 | X130 | X230 | X330 |
| 32 | 32 | X132 | X232 | X332 |
| 34 | 34 | X134 | X234 | X334 |
| 36 | 36 | X136 | X236 | X336 |
| 38 | 38 | X138 | X238 | X338 |
| 40 | 40 | X140 | X240 | X340 |
| 42 | 42 | X142 | X242 | X342 |
| 44 | 44 | X144 | X244 | X344 |
| 46 | 46 | X146 | X246 | X346 |
| 48 | 48 | X148 | X248 | X348 |
| 50 | 50 | X150 | X250 | X350 |
| 52 | 52 | X152 | X252 | X352 |
| 54 | 54 | X154 | X254 | X354 |
| 56 | 56 | X156 | X256 | X356 |
| 58 | 58 | X158 | X258 | X358 |
| 60 | 60 | X160 | X260 | X360 |
| 62 | 62 | X162 | X262 | X362 |
| 64 | 64 | X164 | X264 | X364 |
| 66 | 66 | X166 | X266 | X366 |
| 68 | 68 | 90130-X168 | 90130-X268 | 90130-X368 |

NOTES :
 1. FOR ASSEMBLY, SEE SHEET 1.
 2. REFER TO LEGEND FOR PLATING OPTIONS



STYLE: - 3. RIGHT ANGLE VERSION

- 1 - TYPE A:
3.0µm MIN. TIN OVER 1.27µm - 2.54µm NICKEL.
- 2 - TYPE B:
0.38µm MIN. GOLD IN SELECTED AREA & 3.0µm MIN. TIN IN SELECTED AREA OVER 1.3µm MIN. NICKEL OVERALL.
- 3 - TYPE C:
0.76µm MIN. GOLD IN SELECTED AREA & 3.0µm MIN. TIN IN SELECTED AREA OVER 1.3µm MIN. NICKEL OVERALL.

| | | | | | | | |
|--|---|--|-----------------|------------------------|------------------|---|---|
| REVISED EEC NO: S2011-0579 B3 DRWNSKANG CHYKATSEE APPROVALONG 2011/03/08 2011/03/22 2011/03/22 | QUALITY SYMBOLS | GENERAL TOLERANCES (UNLESS SPECIFIED) | DIMENSION STYLE | SCALE | DESIGN UNITS | THIRD ANGLE PROJECTION | |
| | $\nabla=0$ $\nabla=0$ $\nabla=0$ | mm INCH 4 PLACES ± --- ± --- 3 PLACES ± --- ± .004 2 PLACES ± 0.10 ± --- 1 PLACE ± --- ± --- ANGULAR ±1/2° | MM/IN | NTS | METRIC | DRAWN BY: KS DATE: 1988/08/23 CHECKED BY: ATSEE DATE: 2010/02/11 APPROVED BY: MLONG DATE: 2010/02/19 | TITLE: C-GRID III DUAL ROW STRAIGHT SHROUDED HEADER MOLEX INCORPORATED |
| | DRAFT WHERE APPLICABLE MUST REMAIN WITHIN DIMENSIONS | MATERIAL NO. SEE TABLE | SIZE A3 | DOCUMENT NO. SDA-90130 | SHEET NO. 4 OF 4 | | |
| | THIS DRAWING CONTAINS INFORMATION THAT IS PROPRIETARY TO MOLEX INCORPORATED AND SHOULD NOT BE USED WITHOUT WRITTEN PERMISSION | | | | | | |