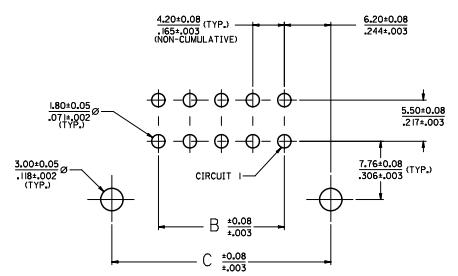
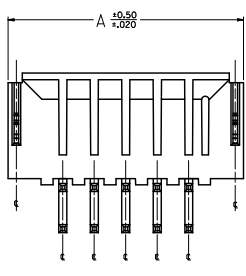
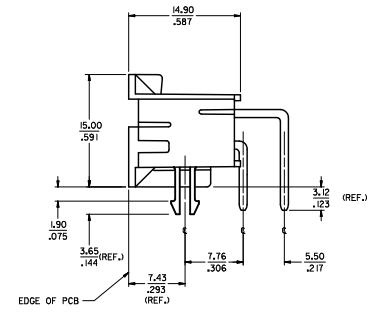
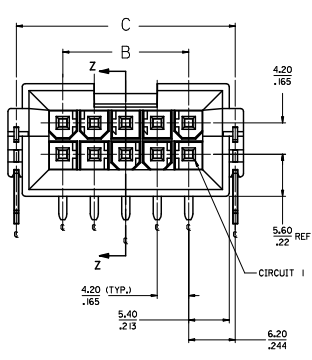
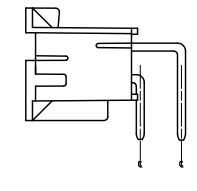


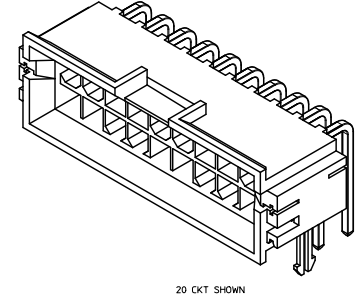
20 19 18 17 16 15 14 13 12 11 10 9 8 7 6 5 4 3 2 1



PCB LAYOUT COMPONENT SIDE
RECOMMENDED PCB THICKNESS: .60±.08 / .063±.007



HEADER ASSEMBLY WITH NO CLIP OPTION



20 CKT SHOWN

- NOTES
- MATERIALS
HOUSING: NYLON 4/6 UL 94V-0 GLASS FILLED, COLOR: BLACK
TERMINAL: BRASS
BOARD RETENTION CLIP: BRASS
 - FINISHES:
TERMINAL:
1- $0.00254/0.00100$ MIN. BRIGHT TIN OVER
 $0.00127/0.00050$ MIN. NICKEL
2- $0.00076/0.00030$ MIN. GOLD OVER
 $0.00127/0.00050$ MIN. NICKEL
3- $0.00076/0.00030$ MIN. SELECT GOLD AND
 $0.00254/0.00100$ MIN. SELECT MATTE TIN
OVER $0.00127/0.00050$ MIN. NICKEL OVERALL
MOUNTING CLIP:
 $0.00254/0.00100$ MIN. MATTE TIN OVER
 $0.00127/0.00050$ MIN. NICKEL
 - PRODUCT SPECIFICATION: PS-43810-001
 - PACKAGING SPECIFICATION: PK-43810-001
 - PARTS MATE WITH MOLEX RECTANGLE #5557 AND #42474 AND #42385 HEADER
 - PART ALLOWS FOR $0.27/0.050$ MAX MIS-ALIGNMENT WITH MATING HOUSINGS IN ANY DIRECTION
 - CONNECTOR ASSEMBLIES ARE NOT TO BE MATED AND UNMATED WHILE CIRCUITS ARE LIVE
 - PARTS ARE NOT DESIGNED FOR CURRENT SHARING
 - DISCOLORATION IN THE BANDOLIER CARRIER AREA OF THE PIN IS INHERENT TO THE PLATING PROCESS AND IS DUE TO THE MASKING EFFECT OF THE CARRIER. THIS DISCOLORATION IS IN A NON-FUNCTIONAL AREA OF THE PIN AND WILL NOT AFFECT THE PERFORMANCE OF THE HEADER ASSEMBLY.
 - PART CONFORMS TO CLASS 'B' REQUIREMENTS OF COSMETIC SPECIFICATION PS-45499-002

2	G
1	G
SHT.	REV.

MODIFIED NOTES: EDCUS: 2009/06/18 G: DENNIS JAGUILAR 2010/07/26 CHKCD: BELL 2010/07/26 APPROF: SMITH 2010/06/04	QUALITY SYMBOLS ▽=0 ▽=0 ▽=0	GENERAL TOLERANCES (UNLESS SPECIFIED) <table border="1"> <tr> <th></th> <th>MM</th> <th>INCH</th> </tr> <tr> <td>4 PLACES ±---</td> <td>±---</td> <td>±---</td> </tr> <tr> <td>3 PLACES ±---</td> <td>±.010</td> <td></td> </tr> <tr> <td>2 PLACES ±.25</td> <td>±.014</td> <td></td> </tr> <tr> <td>1 PLACE ±0.35</td> <td>±---</td> <td></td> </tr> </table> ANGLUAR ±1/2°		MM	INCH	4 PLACES ±---	±---	±---	3 PLACES ±---	±.010		2 PLACES ±.25	±.014		1 PLACE ±0.35	±---		DIMENSION STYLE MM/IN SCALE 4:1 DESIGN UNITS METRIC	DRAWN BY MANLAPAZ DATE 01-06-97 CHECKED BY BANDURA DATE 03-26-97 APPROVED BY EDGLEY DATE 03-26-97	TITLE MINI-FIT JR BMI SMC RIGHT ANGLE HEADER ASM. FOR 1.6/063 THK. PCB MOLEX INCORPORATED	MATERIAL NO. SEE CHART DOCUMENT NO. SD-43810-011	SHEET NO. 1 OF 2
		MM	INCH																			
	4 PLACES ±---	±---	±---																			
	3 PLACES ±---	±.010																				
2 PLACES ±.25	±.014																					
1 PLACE ±0.35	±---																					
DRAFT WHERE APPLICABLE MUST REMAIN WITHIN DIMENSIONS																						
THIS DRAWING CONTAINS INFORMATION THAT IS PROPRIETARY TO MOLEX INCORPORATED AND SHOULD NOT BE USED WITHOUT WRITTEN PERMISSION																						
THIRD ANGLE PROJECTION																						

MATERIAL NO.	CIRCUIT SIZE	CLIP OPTION	DIM. 'A'	DIM. 'B'	DIM. 'C'	FINISH
43810-0001	4	YES	.881	4.20	16.60	1
43810-0002	6	YES	23.01	8.40	20.80	1
43810-0003	8	YES	27.21	12.60	25.00	1
43810-0004	10	YES	31.41	16.80	29.20	1
43810-0005	12	YES	35.61	21.00	33.40	1
43810-0006	14	YES	39.81	25.20	37.60	1
43810-0007	16	YES	44.01	29.40	41.80	1
43810-0008	18	YES	48.21	33.60	46.00	1
43810-0009	20	YES	52.41	37.80	50.20	1
43810-0010	22	YES	56.61	42.00	54.40	1
43810-0011	24	YES	60.81	46.20	58.60	1
43810-0012	4	YES	.881	4.20	16.60	2
43810-0013	6	YES	23.01	8.40	20.80	2
43810-0014	8	YES	27.21	12.60	25.00	2
43810-0015	10	YES	31.41	16.80	29.20	2
43810-0016	12	YES	35.61	21.00	33.40	2
43810-0017	14	YES	39.81	25.20	37.60	2
43810-0018	16	YES	44.01	29.40	41.80	2
43810-0019	18	YES	48.21	33.60	46.00	2
43810-0020	20	YES	52.41	37.80	50.20	2
43810-0021	22	YES	56.61	42.00	54.40	2
43810-0022	24	YES	60.81	46.20	58.60	2
43810-0600	4	YES	.881	4.20	16.60	3
43810-0601	6	YES	23.01	8.40	20.80	3
43810-0602	8	YES	27.21	12.60	25.00	3
43810-0603	10	YES	31.41	16.80	29.20	3
43810-0604	12	YES	35.61	21.00	33.40	3
43810-0605	14	YES	39.81	25.20	37.60	3
43810-0606	16	YES	44.01	29.40	41.80	3
43810-0607	18	YES	48.21	33.60	46.00	3
43810-0608	20	YES	52.41	37.80	50.20	3
43810-0609	22	YES	56.61	42.00	54.40	3
43810-0610	24	YES	60.81	46.20	58.60	3

N = NOT TOOLED

MATERIAL NO.	CIRCUIT SIZE	CLIP OPTION	DIM. 'A'	DIM. 'B'	DIM. 'C'	FINISH
43810-0199	4	NO	.881	4.20	16.60	1
43810-0200	6	NO	23.01	8.40	20.80	1
43810-0201	8	NO	27.21	12.60	25.00	1
43810-0202	10	NO	31.41	16.80	29.20	1
43810-0203	12	NO	35.61	21.00	33.40	1
43810-0204	14	NO	39.81	25.20	37.60	1
43810-0205	16	NO	44.01	29.40	41.80	1
43810-0206	18	NO	48.21	33.60	46.00	1
43810-0207	20	NO	52.41	37.80	50.20	1
43810-0208	22	NO	56.61	42.00	54.40	1
43810-0209	24	NO	60.81	46.20	58.60	1
43810-0210	4	NO	.881	4.20	16.60	2
43810-0211	6	NO	23.01	8.40	20.80	2
43810-0212	8	NO	27.21	12.60	25.00	2
43810-0213	10	NO	31.41	16.80	29.20	2
43810-0214	12	NO	35.61	21.00	33.40	2
43810-0215	14	NO	39.81	25.20	37.60	2
43810-0216	16	NO	44.01	29.40	41.80	2
43810-0217	18	NO	48.21	33.60	46.00	2
43810-0218	20	NO	52.41	37.80	50.20	2
43810-0219	22	NO	56.61	42.00	54.40	2
43810-0220	24	NO	60.81	46.20	58.60	2
43810-0611	4	NO	.881	4.20	16.60	3
43810-0612	6	NO	23.01	8.40	20.80	3
43810-0613	8	NO	27.21	12.60	25.00	3
43810-0614	10	NO	31.41	16.80	29.20	3
43810-0615	12	NO	35.61	21.00	33.40	3
43810-0616	14	NO	39.81	25.20	37.60	3
43810-0617	16	NO	44.01	29.40	41.80	3
43810-0618	18	NO	48.21	33.60	46.00	3
43810-0619	20	NO	52.41	37.80	50.20	3
43810-0620	22	NO	56.61	42.00	54.40	3
43810-0621	24	NO	60.81	46.20	58.60	3

N = NOT TOOLED

APPROVED BY TO CHART EUCEN LECHE G. CRIVELLO CHICO BELL APPROVAL DATE 2010/06/24	QUALITY SYMBOLS ∇=0 ∇=0 ∇=0	GENERAL TOLERANCES (UNLESS SPECIFIED) 4 PLACES ± .010 ± .010 3 PLACES ± .010 ± .010 2 PLACES ± 0.25 ± 0.014 1 PLACE ± 0.35 ± .014 ANGULAR ±1/2°	DIMENSION STYLE MM/IN DRAWN BY DATE MANLAPAZ 01-06-97 CHECKED BY DATE BANDURA 03-26-97 APPROVED BY DATE F. SMERLEY 03-26/06/03	SCALE --- DESIGN UNITS METRIC	THIRD ANGLE PROJECTION	
	DRAFT WHERE APPLICABLE MUST REMAIN WITHIN DIMENSIONS		SEE CHART	MOLEX INCORPORATED	SHEET NO. 2 OF 2	
	THIS DRAWING CONTAINS INFORMATION THAT IS PROPRIETARY TO MOLEX INCORPORATED AND SHOULD NOT BE USED WITHOUT WRITTEN PERMISSION		DOCUMENT NO. SD-43810-011			
	MOLEX INCORPORATED					