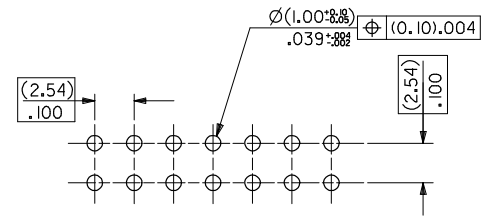
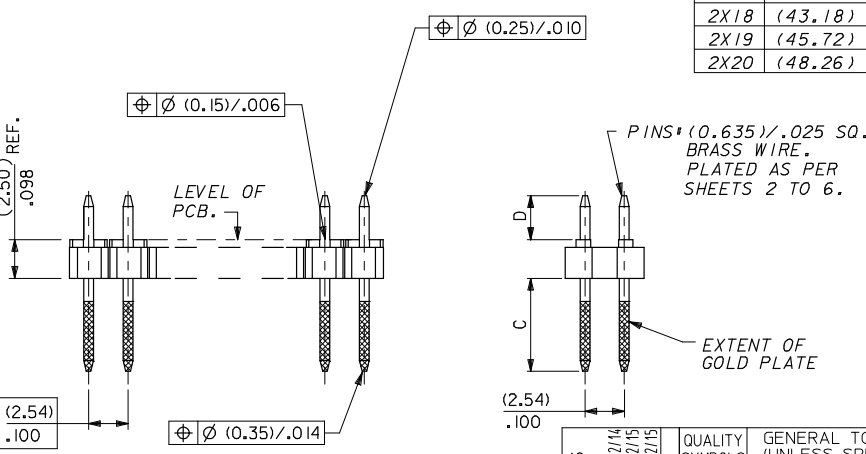


CKT SIZE	DIM. "A"		DIM. "B"		CKT SIZE	DIM. "A"		DIM. "B"	
2X 1			(2.54)	.100	2X21	(50.80)	2.000	(53.34)	2.100
2X 2	(2.54)	.100	(5.08)	.200	2X22	(53.34)	2.100	(55.88)	2.200
2X 3	(5.08)	.200	(7.62)	.300	2X23	(55.88)	2.200	(58.42)	2.300
2X 4	(7.62)	.300	(10.16)	.400	2X24	(58.42)	2.300	(60.96)	2.400
2X 5	(10.16)	.400	(12.70)	.500	2X25	(60.96)	2.400	(63.50)	2.500
2X 6	(12.70)	.500	(15.24)	.600	2X26	(63.50)	2.500	(66.04)	2.600
2X 7	(15.24)	.600	(17.78)	.700	2X27	(66.04)	2.600	(68.58)	2.700
2X 8	(17.78)	.700	(20.32)	.800	2X28	(68.58)	2.700	(71.12)	2.800
2X 9	(20.32)	.800	(22.86)	.900	2X29	(71.12)	2.800	(73.66)	2.900
2X10	(22.86)	.900	(25.40)	1.000	2X30	(73.66)	2.900	(76.20)	3.000
2X11	(25.40)	1.000	(27.94)	1.100	2X31	(76.20)	3.000	(78.74)	3.100
2X12	(27.94)	1.100	(30.48)	1.200	2X32	(78.74)	3.100	(81.28)	3.200
2X13	(30.48)	1.200	(33.02)	1.300	2X33	(81.28)	3.200	(83.82)	3.300
2X14	(33.02)	1.300	(35.56)	1.400	2X34	(83.82)	3.300	(86.36)	3.400
2X15	(35.56)	1.400	(38.10)	1.500	2X35	(86.36)	3.400	(88.90)	3.500
2X16	(38.10)	1.500	(40.64)	1.600	2X36	(88.90)	3.500	(91.44)	3.600
2X17	(40.64)	1.600	(43.18)	1.700	2X37	(91.44)	3.600	(93.98)	3.700
2X18	(43.18)	1.700	(45.72)	1.800	2X38	(93.98)	3.700	(96.52)	3.800
2X19	(45.72)	1.800	(48.26)	1.900	2X39	(96.52)	3.800	(99.06)	3.900
2X20	(48.26)	1.900	(50.80)	2.000	2X40	(99.06)	3.900	(101.60)	4.000

NOTES
1. FOR ASSY NUMBERS WITH FINISH OPTIONS AND DIM'S C & D SEE SHEETS 2 TO 7.



RECOMMENDED P.C. BOARD HOLE PATTERN

NOTES
2. RECOMMENDED PCB THICKNESS 1.6MM
3. PRODUCT SPECIFICATION: PS-99020-0001

ADDED NOTES EC NO: E2008-0337 DRW: K. TERMAN CHKD: M. K. TERMAN APPR: B. MAGUIRE 2008/02/14 2008/02/15 2008/02/15	QUALITY SYMBOLS ▽ = ▽ = ▽ =	GENERAL TOLERANCES (UNLESS SPECIFIED) mm INCH 4 PLACES ± --- ± --- 3 PLACES ± --- ± --- 2 PLACES ± --- ± --- 1 PLACE ± --- ± --- ANGULAR ± --- °	DIMENSION STYLE MM ONLY DRAWN BY DB DATE 16/7/87 CHECKED BY DATE APPROVED BY DATE	SCALE 4:1 DESIGN UNITS METRIC THIRD ANGLE PROJECTION	TITLE C GRID III DUAL ROW STRAIGHT PIN HEADER
		DRAFT WHERE APPLICABLE MUST REMAIN WITHIN DIMENSIONS	MATERIAL NO. SEE CHART DOCUMENT NO. SDA-90131	SHEET NO. 1 OF 7	
		THIS DRAWING CONTAINS INFORMATION THAT IS PROPRIETARY TO MOLEX INCORPORATED AND SHOULD NOT BE USED WITHOUT WRITTEN PERMISSION			
		SIZE A 3			

PART NO. SEE CHART
 DWG. NO. SDA-90131

CIRCUIT SIZE	PLATING TYPE A	PLATING TYPE E	PLATING TYPE F
	PART NO.	PART NO.	PART NO.
2 X 1	90131-0121	90131-0761	90131-0921
2 X 2	↑ -0122	↑ -0762	↑ -0922
2 X 3	↑ -0123	↑ -0763	↑ -0923
2 X 4	↑ -0124	↑ -0764	↑ -0924
2 X 5	↑ -0125	↑ -0765	↑ -0925
2 X 6	↑ -0126	↑ -0766	↑ -0926
2 X 7	↑ -0127	↑ -0767	↑ -0927
2 X 8	↑ -0128	↑ -0768	↑ -0928
2 X 9	↑ -0129	↑ -0769	↑ -0929
2 X 10	↑ -0130	↑ -0770	↑ -0930
2 X 11	↑ -0131	↑ -0771	↑ -0931
2 X 12	↑ -0132	↑ -0772	↑ -0932
2 X 13	↑ -0133	↑ -0773	↑ -0933
2 X 14	↑ -0134	↑ -0774	↑ -0934
2 X 15	↑ -0135	↑ -0775	↑ -0935
2 X 16	↑ -0136	↑ -0776	↑ -0936
2 X 17	↑ -0137	↑ -0777	↑ -0937
2 X 18	↑ -0138	↑ -0778	↑ -0938
2 X 19	↑ -0139	↑ -0779	↑ -0939
2 X 20	↑ -0140	↑ -0780	↑ -0940
2 X 21	↑ -0141	↑ -0781	↑ -0941
2 X 22	↑ -0142	↑ -0782	↑ -0942
2 X 23	↑ -0143	↑ -0783	↑ -0943
2 X 24	↑ -0144	↑ -0784	↑ -0944
2 X 25	↑ -0145	↑ -0785	↑ -0945
2 X 26	↑ -0146	↑ -0786	↑ -0946
2 X 27	↑ -0147	↑ -0787	↑ -0947
2 X 28	↑ -0148	↑ -0788	↑ -0948
2 X 29	↑ -0149	↑ -0789	↑ -0949
2 X 30	↑ -0150	↑ -0790	↑ -0950
2 X 31	↑ -0151	↑ -0791	↑ -0951
2 X 32	↑ -0152	↑ -0792	↑ -0952
2 X 33	↑ -0153	↑ -0793	↑ -0953
2 X 34	↑ -0154	↑ -0794	↑ -0954
2 X 35	↑ -0155	↑ -0795	↑ -0955
2 X 36	↑ -0156	↑ -0796	↑ -0956
2 X 37	↑ -0157	↑ -0797	↑ -0957
2 X 38	↑ -0158	↑ -0798	↑ -0958
2 X 39	↑ -0159	↑ -0799	↑ -0959
2 X 40	90131-0160	90131-0800	90131-0960

DIM C
 (+0.20)
 ±.008
 (6.75)
 .266

DIM D
 (+0.20)
 ±.008
 (-0.02)
 (2.90)
 .114

NOTES:
 FOR PLATING VARIATIONS SEE
 ENG.STD. SDES-99000-0003.

STANDARD PRODUCTS

FOR PREVIOUS DRAWING ISSUES SEE MRI.	SEE SHEET I.	H	LTR	REVISIONS	DIMENSIONS SHOWN (METRIC) INCH	DRWG BY	REVISE ONLY ON CAD SYSTEM		SH.	REV.
					UNLESS OTHERWISE SPECIFIED TOLERANCES: ANGULAR ± 8	DB	CAD/CAM FILENAME: SDA90131.K2			
					3 PLACE ±	CHK'D BY	THIS DRAWING CONTAINS INFORMATION THAT IS PROPRIETARY TO MOLEX INC. & SHOULD NOT BE USED WITHOUT WRITTEN PERMISSION			
					2 PLACE ±	APP'D BY	TITLE: C-GRID III DUAL ROW STRAIGHT PIN HEADER			
					1 PLACE ±	SCALE	MOLEX EUROPE SHEET NO. DATE: 20F 16/ 7/87			
DRAFT WHERE APPL (TABLE MUST REMAIN WITHIN DIMENSIONS)					DESIGN DIMENSION (PRIMARY)	PART NO.		DWG NO.		SIZE
					EQUIVALENT DIMENSION (SECONDARY)	SEE CHART		SDA-90131		B

7132-1283