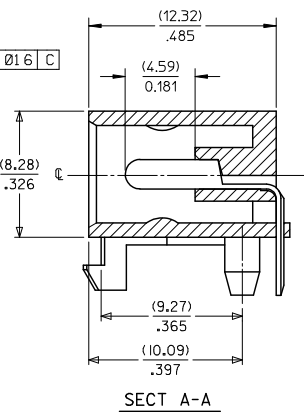
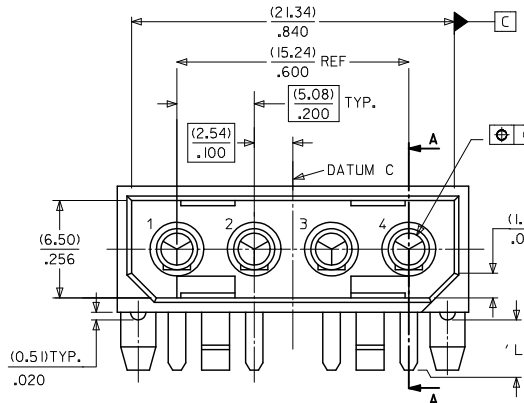
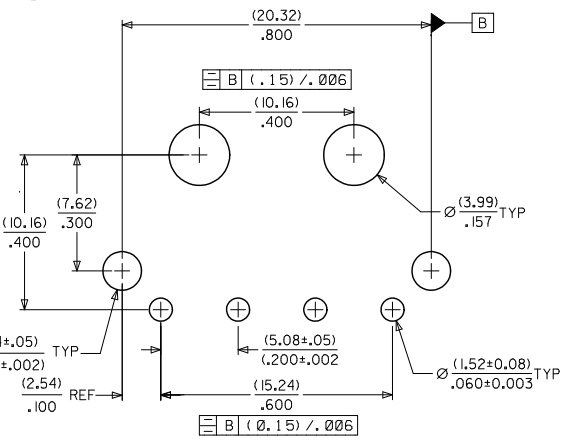
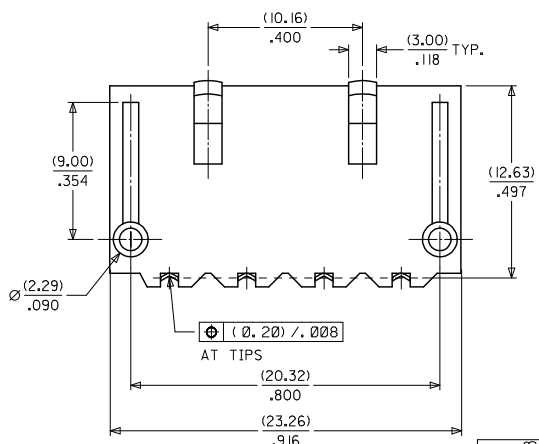


10 9 8 7 6 5 4 3 2 1



NOTES:
 1) MATERIAL
 HOUSING - NYLON 6/6, UNFILLED, UL94V-2, COLOR: BEIGE
 TERMINAL - PHOSPHOR BRONZE
 PLATING - POSTPLATE(0.00254)/.000100 MIN.
 TIN OVER (0.00127)/.000050 MIN.
 NICKEL OVERALL.
 2) PART INTENDED TO MATE WITH HOUSING 8981-4P
 AND TERMINAL 8980-3*
 3) PRODUCT SPEC PS-8981-4V* APPLIES.



RECOMMENDED P.C. BOARD LAYOUT (TOL. +/- (.13)/.005)

MAT'L NO.	ENG. NO.	'L'
A-8981-4R-1-LF	15-24-4441	(3.56)/.140

ADD CKT INDICATION
 EEC NO: S2009-0836
 DRAWN BY: JORNSKANG
 CHECKED BY: CHYKATSEE
 APPROVED BY: APPR:MLONG
 2009/05/08
 2009/05/08
 2009/05/11

QUALITY SYMBOLS	GENERAL TOLERANCES (UNLESS SPECIFIED)	
	mm	INCH
▽=0	4 PLACES ± ---	± ---
▽=0	3 PLACES ± ---	± .008
	2 PLACES ± 0.20	± ---
	1 PLACE ± ---	± ---
	ANGULAR ± 3°	

DIMENSION STYLE		SCALE	DESIGN UNITS	THIRD ANGLE PROJECTION
MM/IN	NTS	INCH		
DRAWN BY: GRXIE	DATE: 2001/05/02	TITLE: HEADER, 4 CKTS RIGHT ANGLE MOUNT		
CHECKED BY: KCLING	DATE: 2001/05/02	MOLEX INCORPORATED		
APPROVED BY: SKTOH	DATE: 2001/05/03	DOCUMENT NO. SD-8981-4R1		
MATERIAL NO. SEE TABLE	SIZE A3	SHEET NO. 1 OF 1		

DRAFT WHERE APPLICABLE MUST REMAIN WITHIN DIMENSIONS

THIS DRAWING CONTAINS INFORMATION THAT IS PROPRIETARY TO MOLEX INCORPORATED AND SHOULD NOT BE USED WITHOUT WRITTEN PERMISSION

tb_frame_A3_P_AM_T
 Rev. E 2006/04/15

9 8 7 6 5 4 3 2 1