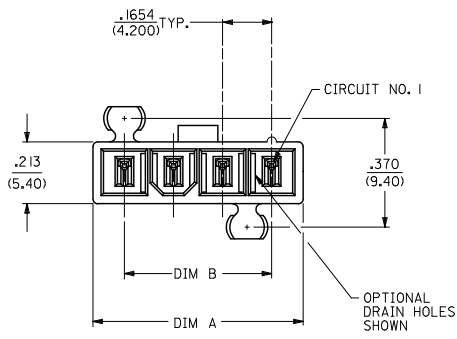
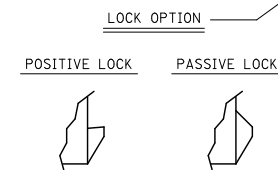
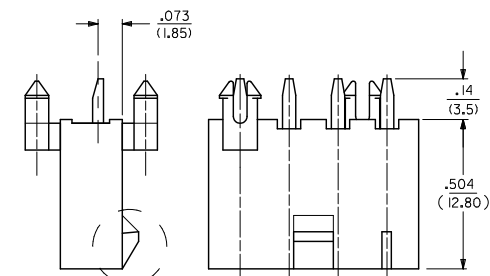
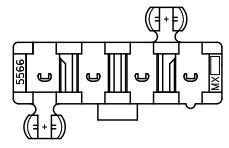


NOTES:

- MATERIALS:
HOUSING:
"BLANK"-NYLON 6/6, UL94 V-2, COLOR: NATURAL
"Z10"-NYLON 6/6, UL94 V-0, COLOR: NATURAL
"BL"-NYLON 6/6, UL94 V-2, COLOR: BLACK
TERMINALS:
BRASS
- TERMINAL PLATING:
"BLANK"-.000035/(0.00090) MIN. BRIGHT TIN OVER
.000020/(0.00050) MIN. COPPER
*GS2-.000015/(0.00038) MIN. SELECT GOLD AND
.000100/(0.00254) MIN. SELECT MATTE TIN
OVER .000050/(0.00127) MIN. NICKEL OVERALL
*GS-.000030/(0.00076) MIN. SELECT GOLD AND
.000100/(0.00254) MIN. SELECT MATTE TIN
OVER .000050/(0.00127) MIN. NICKEL OVERALL
S-.000100/(0.00254) MIN. BRIGHT TIN OVER
.000050/(0.00127) MIN. NICKEL
*THE PRIMARY SHIPPING CARTON WILL BE LABELED
"ELV AND RoHS COMPLIANT", CARTONS WITHOUT
THIS LABEL MAY CONTAIN PRODUCT WITH
TIN-LEAD PLATING.
- PRODUCT SPECIFICATION: PS-5566-001
- PACKAGING: TRAY PACKED PER FK-5566-002
- PART MATES WITH MINI-FIT JR. RECEPTACLE NO. 5557.
- PART IS NOT DESIGNED FOR CURRENT SHARING.
- PARTS ARE NOT TO BE MATED OR UN-MATED WHILE
CIRCUITS ARE LIVE.
- PART CONFORMS TO CLASS 'B' REQUIREMENTS OF
COSMETIC SPECIFICATION PS-45499-002.

CKT SIZE	DIM A	DIM B
4	.709 (18.00)	.496 (12.60)
5	.874 (22.20)	.661 (16.80)
6	1.039 (26.40)	.827 (21.00)
7	1.205 (30.60)	.992 (25.20)
8	1.370 (34.80)	1.157 (29.40)
9	1.535 (39.00)	1.323 (33.60)
10	1.701 (43.20)	1.488 (37.80)
11	1.866 (47.40)	1.654 (42.00)
12	2.031 (51.60)	1.819 (46.20)



LEGEND:

5566 - N - * * * * *

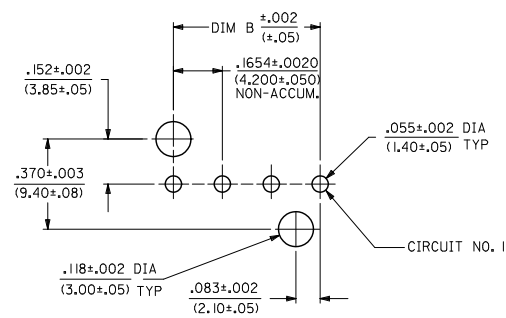
CIRCUIT SIZE (04-12)

ASSEMBLY TYPE
A=W/O DRAIN HOLES
B=WITH DRAIN HOLES

PEG AND LOCK OPTION
3=MTG, PEGS, POSITIVE LOCK
4=MTG, PEGS, PASSIVE LOCK

PLATING (SEE NOTE 2)

HOUSING MAT'L (SEE NOTE 1)



RECOMMENDED HOLE LAYOUT FOR
.070 (1.78) MAX. THICK P. C. BOARD
VIEWED FROM COMPONENT SIDE

ADD PART #S EC NO: UCP2010-1922 DRAWN: BRENNES 2009/02/10 CHKD: BELL 2010/02/12 APPR: SMITH 2010/02/15	QUALITY SYMBOLS ▽=0 ▽=0	GENERAL TOLERANCES (UNLESS SPECIFIED)		DIMENSION STYLE IN/MM		SCALE 1:1	DESIGN UNITS METRIC	THIRD ANGLE PROJECTION
		4 PLACES ±.005 ±.005 3 PLACES ±.005 ±.015 2 PLACES ±0.38 ±.005 1 PLACE ±.005 ±.005	mm INCH ±.005 ±.005 ±.015 ±.015 ±0.38 ±.005 ±.005 ±.005	DRAWN BY KSS CHECKED BY JTR APPROVED BY RAS	DATE 1989/02/19 DATE 1989/02/19 DATE 1989/02/19	TITLE VERTICAL HEADER ASSY W/& W/O PEG & DRAIN HOLE MINI-FIT JR SINGLE ROW		MOLEX INCORPORATED
MATERIAL NO. SDA-5566-NL* DOCUMENT NO. SDA-5566-NL*	DRAFT WHERE APPLICABLE MUST REMAIN WITHIN DIMENSIONS		SEE CHART		SHEET NO. 1 OF 4		SHEET REV	

4	M
3	M
2	K1
1	M
SHEET REV	

POSITIVE LOCK WITH MTG. PEGS, 94V-2 HOUSING MATERIAL				PASSIVE LOCK WITH MTG. PEGS, 94V-2 HOUSING MATERIAL			
PART NO	ENG NO	CKT DRAIN SIZE/HOLE	PLATING OPTION	PART NO	ENG NO	CKT DRAIN SIZE/HOLE	PLATING OPTION
39-30-2045	5566-04B3	4	YES	NO E.D.P.	5566-04B4	4	YES
39-30-2055	5566-05B3	5	YES	NO E.D.P.	5566-05B4	5	YES
39-30-2065	5566-06B3	6	YES	NO E.D.P.	5566-06B4	6	YES
39-30-2075	5566-07B3	7	YES	NO E.D.P.	5566-07B4	7	YES
39-30-2085	5566-08B3	8	YES	NO E.D.P.	5566-08B4	8	YES
39-30-2095	5566-09B3	9	YES	NO E.D.P.	5566-09B4	9	YES
39-30-2105	5566-10B3	10	YES	NO E.D.P.	5566-10B4	10	YES
39-30-2115	5566-11B3	11	YES	NO E.D.P.	5566-11B4	11	YES
39-30-2125	5566-12B3	12	YES	NO E.D.P.	5566-12B4	12	YES
39-30-1049	5566-04A3	4	NO	NO E.D.P.	5566-04A4	4	NO
39-30-1059	5566-05A3	5	NO	NO E.D.P.	5566-05A4	5	NO
39-30-1069	5566-06A3	6	NO	NO E.D.P.	5566-06A4	6	NO
39-30-1079	5566-07A3	7	NO	NO E.D.P.	5566-07A4	7	NO
39-30-1089	5566-08A3	8	NO	NO E.D.P.	5566-08A4	8	NO
39-30-1099	5566-09A3	9	NO	NO E.D.P.	5566-09A4	9	NO
39-30-1109	5566-10A3	10	NO	NO E.D.P.	5566-10A4	10	NO
39-30-1119	5566-11A3	11	NO	NO E.D.P.	5566-11A4	11	NO
39-30-1129	5566-12A3	12	NO	NO E.D.P.	5566-12A4	12	NO
39-30-2047	5566-04B3GS	4	YES	NO E.D.P.	5566-04B4GS	4	YES
39-30-2057	5566-05B3GS	5	YES	NO E.D.P.	5566-05B4GS	5	YES
39-30-2067	5566-06B3GS	6	YES	NO E.D.P.	5566-06B4GS	6	YES
39-30-2077	5566-07B3GS	7	YES	NO E.D.P.	5566-07B4GS	7	YES
39-30-2087	5566-08B3GS	8	YES	NO E.D.P.	5566-08B4GS	8	YES
39-30-2097	5566-09B3GS	9	YES	NO E.D.P.	5566-09B4GS	9	YES
39-30-2107	5566-10B3GS	10	YES	NO E.D.P.	5566-10B4GS	10	YES
39-30-2117	5566-11B3GS	11	YES	NO E.D.P.	5566-11B4GS	11	YES
39-30-2127	5566-12B3GS	12	YES	NO E.D.P.	5566-12B4GS	12	YES
39-30-2041	5566-04A3GS	4	NO	NO E.D.P.	5566-04A4GS	4	NO
39-30-2051	5566-05A3GS	5	NO	NO E.D.P.	5566-05A4GS	5	NO
39-30-2061	5566-06A3GS	6	NO	NO E.D.P.	5566-06A4GS	6	NO
39-30-2071	5566-07A3GS	7	NO	NO E.D.P.	5566-07A4GS	7	NO
39-30-2081	5566-08A3GS	8	NO	NO E.D.P.	5566-08A4GS	8	NO
39-30-2091	5566-09A3GS	9	NO	NO E.D.P.	5566-09A4GS	9	NO
39-30-2101	5566-10A3GS	10	NO	NO E.D.P.	5566-10A4GS	10	NO
39-30-2111	5566-11A3GS	11	NO	NO E.D.P.	5566-11A4GS	11	NO
39-30-2121	5566-12A3GS	12	NO	NO E.D.P.	5566-12A4GS	12	NO

POSITIVE LOCK WITH MTG. PEGS, 94V-0 HOUSING MATERIAL				PASSIVE LOCK WITH MTG. PEGS, 94V-0 HOUSING MATERIAL			
PART NO	ENG NO	CKT DRAIN SIZE/HOLE	PLATING OPTION	PART NO	ENG NO	CKT DRAIN SIZE/HOLE	PLATING OPTION
39-30-2046	5566-04B3-2/0	4	YES	NO E.D.P.	5566-04B4-2/0	4	YES
39-30-2056	5566-05B3-2/0	5	YES	NO E.D.P.	5566-05B4-2/0	5	YES
39-30-2066	5566-06B3-2/0	6	YES	NO E.D.P.	5566-06B4-2/0	6	YES
39-30-2076	5566-07B3-2/0	7	YES	NO E.D.P.	5566-07B4-2/0	7	YES
39-30-2086	5566-08B3-2/0	8	YES	NO E.D.P.	5566-08B4-2/0	8	YES
39-30-2096	5566-09B3-2/0	9	YES	NO E.D.P.	5566-09B4-2/0	9	YES
39-30-2106	5566-10B3-2/0	10	YES	NO E.D.P.	5566-10B4-2/0	10	YES
39-30-2116	5566-11B3-2/0	11	YES	NO E.D.P.	5566-11B4-2/0	11	YES
39-30-2126	5566-12B3-2/0	12	YES	NO E.D.P.	5566-12B4-2/0	12	YES
39-30-2040	5566-04A3-2/0	4	NO	NO E.D.P.	5566-04A4-2/0	4	NO
39-30-2050	5566-05A3-2/0	5	NO	NO E.D.P.	5566-05A4-2/0	5	NO
39-30-2060	5566-06A3-2/0	6	NO	NO E.D.P.	5566-06A4-2/0	6	NO
39-30-2070	5566-07A3-2/0	7	NO	NO E.D.P.	5566-07A4-2/0	7	NO
39-30-2080	5566-08A3-2/0	8	NO	NO E.D.P.	5566-08A4-2/0	8	NO
39-30-2090	5566-09A3-2/0	9	NO	NO E.D.P.	5566-09A4-2/0	9	NO
39-30-2100	5566-10A3-2/0	10	NO	NO E.D.P.	5566-10A4-2/0	10	NO
39-30-2110	5566-11A3-2/0	11	NO	NO E.D.P.	5566-11A4-2/0	11	NO
39-30-2120	5566-12A3-2/0	12	NO	NO E.D.P.	5566-12A4-2/0	12	NO
39-30-2048	5566-04B3GS-2/0	4	YES	NO E.D.P.	5566-04B4GS-2/0	4	YES
39-30-2058	5566-05B3GS-2/0	5	YES	NO E.D.P.	5566-05B4GS-2/0	5	YES
39-30-2068	5566-06B3GS-2/0	6	YES	NO E.D.P.	5566-06B4GS-2/0	6	YES
39-30-2078	5566-07B3GS-2/0	7	YES	NO E.D.P.	5566-07B4GS-2/0	7	YES
39-30-2088	5566-08B3GS-2/0	8	YES	NO E.D.P.	5566-08B4GS-2/0	8	YES
39-30-2098	5566-09B3GS-2/0	9	YES	NO E.D.P.	5566-09B4GS-2/0	9	YES
39-30-2108	5566-10B3GS-2/0	10	YES	NO E.D.P.	5566-10B4GS-2/0	10	YES
39-30-2118	5566-11B3GS-2/0	11	YES	NO E.D.P.	5566-11B4GS-2/0	11	YES
39-30-2128	5566-12B3GS-2/0	12	YES	NO E.D.P.	5566-12B4GS-2/0	12	YES
39-30-2042	5566-04A3GS-2/0	4	NO	NO E.D.P.	5566-04A4GS-2/0	4	NO
39-30-2052	5566-05A3GS-2/0	5	NO	NO E.D.P.	5566-05A4GS-2/0	5	NO
39-30-2062	5566-06A3GS-2/0	6	NO	NO E.D.P.	5566-06A4GS-2/0	6	NO
39-30-2072	5566-07A3GS-2/0	7	NO	NO E.D.P.	5566-07A4GS-2/0	7	NO
39-30-2082	5566-08A3GS-2/0	8	NO	NO E.D.P.	5566-08A4GS-2/0	8	NO
39-30-2092	5566-09A3GS-2/0	9	NO	NO E.D.P.	5566-09A4GS-2/0	9	NO
39-30-2102	5566-10A3GS-2/0	10	NO	NO E.D.P.	5566-10A4GS-2/0	10	NO
39-30-2112	5566-11A3GS-2/0	11	NO	NO E.D.P.	5566-11A4GS-2/0	11	NO
39-30-2122	5566-12A3GS-2/0	12	NO	NO E.D.P.	5566-12A4GS-2/0	12	NO

SEE SHEET 1
 EC NO: UCP2006-1990 2006/07/28
 DRAWN BY: MVL 2006/07/28
 CHK'D BY: RJC 2006/07/28
 APPR: JCMERC 2006/07/28

QUALITY SYMBOLS
 ▽=0
 ▽=0
 ▽=0

GENERAL TOLERANCES (UNLESS SPECIFIED)		DIMENSION STYLE IN/MM		SCALE ---	DESIGN UNITS METRIC	THIRD ANGLE PROJECTION
4 PLACES	± .0001	+	INCH	DRAWN BY SEP	DATE 1989/07/13	TITLE VERTICAL HEADER ASSY W/ PEG AND DRAIN OPTIONS MINI-FIT JR SINGLE ROW
3 PLACES	± .0002	+	INCH	CHECKED BY RJC	DATE 1989/07/13	MOLEX INCORPORATED
2 PLACES	± .0005	+	INCH	APPROVED BY RAS	DATE 1989/07/13	
1 PLACE	± .0010	+	INCH	MATERIAL NO.	DOCUMENT NO. SDA-5566-NL*	SHEET NO. 2 OF 4
DRAFT WHERE APPLICABLE MUST REMAIN WITHIN DIMENSIONS		SEE CHART		THIS DRAWING CONTAINS INFORMATION THAT IS PROPRIETARY TO MOLEX INCORPORATED AND SHOULD NOT BE USED WITHOUT WRITTEN PERMISSION		

