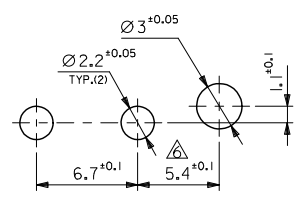
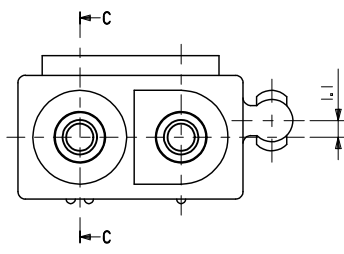
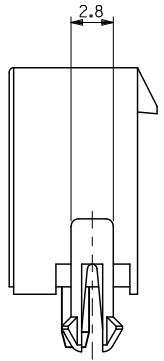
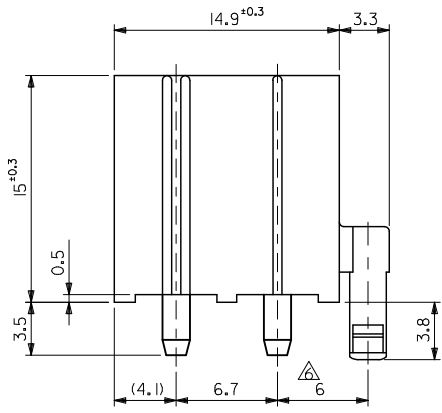
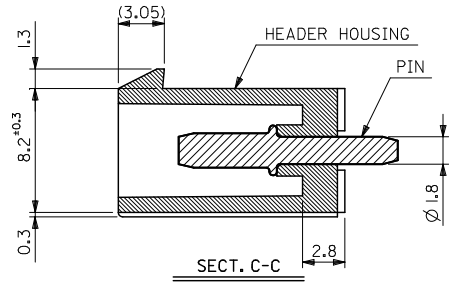


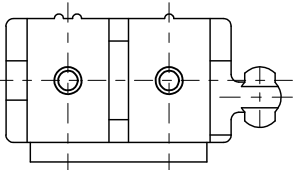
10 9 8 7 6 5 4 3 2 1



RECOMMENDED P.C.BOARD HOLE DIM.



- NOTES:
- MATERIAL:
HOUSING: "BLANK" = NYLON 6/6, UL94V-2, COLOR: NATURAL
"201" = NYLON 6/6, UL94V-0, COLOR: NATURAL
TERMINAL: C2700W BRASS
 - FINISH: 0.000003/(.0000001) MIN. TIN OVERALL OVER
0.000001/(.0000004) MIN. NICKEL OVERALL
 - PRODUCT SPECIFICATION: NONE
 - PACKAGING: NONE
 - MATES WITH: 3191-02R SERIES
DIFFERENCE OF DIMENSION TO PREVENT RISE FROM P.C.B.
 - PARTS CONFORM TO CLASS 'B' REQUIREMENTS OF COSMETIC SPECIFICATION PS-45499-002.



| | | |
|----------|------------|--------------|
| 2 | 39-28-7028 | 5219-02A-201 |
| | 15-31-1026 | 5219-02A |
| CIRCUITS | EDP.NO. | ENG.NO. |

| | | | | | | |
|--|-------------------------------|--|-----------------------------|---|---|------------------------|
| REMOVED DIMENSION EC NO: UCP2009-2076 DRAWN: TRENES 2009/02/24 CHKD: HELMAG 2009/03/13 APPR: FSWITH 2009/04/15 N1 | QUALITY SYMBOLS ▽=0 ▽=0 | GENERAL TOLERANCES (UNLESS SPECIFIED) | DIMENSION STYLE MM ONLY | SCALE --- | DESIGN UNITS METRIC | THIRD ANGLE PROJECTION |
| | | 4 PLACES ± --- ± --- | DRAWN BY H. HASEGAWA | DATE 1994/10/26 | TITLE NEW INTERNATIONAL CONN. HEADER AND ASSY | |
| | | 3 PLACES ± --- ± .005 | CHECKED BY H. HIRAMOTO | DATE 1996/02/26 | MOLEX INCORPORATED | |
| | | 2 PLACES ± 0.13 ± .010 | APPROVED BY M. FUKUSHIMA | DATE 1996/02/26 | DOCUMENT NO. SD-5219-02A*-* | SHEET NO. 1 OF 1 |
| 1 PLACE ± 0.25 ± --- | ANGULAR ± 1 ° | DRAFT WHERE APPLICABLE MUST REMAIN WITHIN DIMENSIONS | SEE CHART | THIS DRAWING CONTAINS INFORMATION THAT IS PROPRIETARY TO MOLEX INCORPORATED AND SHOULD NOT BE USED WITHOUT WRITTEN PERMISSION | | |

9 8 7 6 5 4 3 2 1