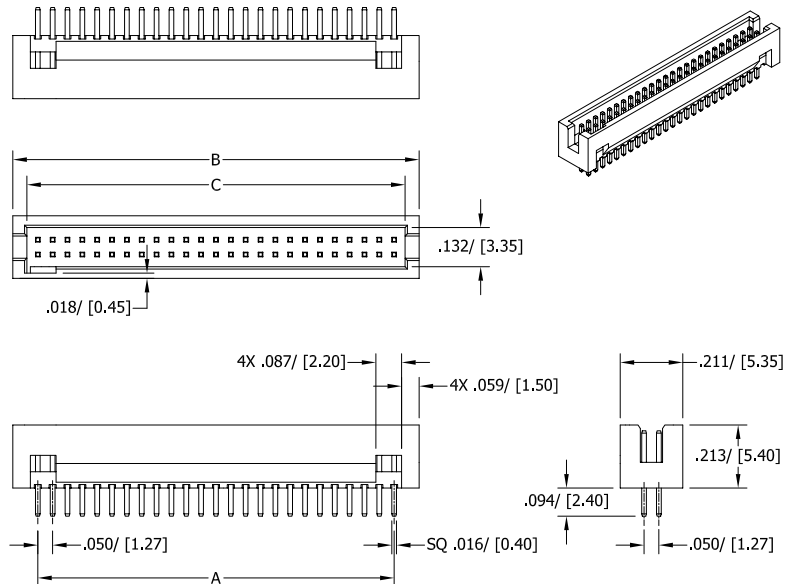


PART NUMBER	POSITIONS/ CONTACTS	A		B		C	
		INCH	MM	INCH	MM	INCH	MM
SBH31-NBPP-D05-ST	5/10	0.200	5.08	0.368	9.35	0.274	6.95
SBH31-NBPP-D06-ST	6/12	0.250	6.35	0.418	10.62	0.324	8.22
SBH31-NBPP-D07-ST	7/14	0.300	7.62	0.468	11.89	0.374	9.49
SBH31-NBPP-D08-ST	8/16	0.350	8.89	0.518	13.16	0.424	10.76
SBH31-NBPP-D09-ST	9/18	0.400	10.16	0.568	14.43	0.474	12.03
SBH31-NBPP-D10-ST	10/20	0.450	11.43	0.618	15.70	0.524	13.30
SBH31-NBPP-D11-ST	11/22	0.500	12.70	0.668	16.97	0.574	14.57
SBH31-NBPP-D12-ST	12/24	0.550	13.97	0.718	18.24	0.624	15.84
SBH31-NBPP-D13-ST	13/26	0.600	15.24	0.768	19.51	0.674	17.11
SBH31-NBPP-D14-ST	14/28	0.650	16.51	0.818	20.78	0.724	18.38
SBH31-NBPP-D15-ST	15/30	0.700	17.78	0.868	22.05	0.774	19.65
SBH31-NBPP-D16-ST	16/32	0.750	19.05	0.918	23.32	0.824	20.92
SBH31-NBPP-D17-ST	17/34	0.800	20.32	0.968	24.59	0.874	22.19
SBH31-NBPP-D18-ST	18/36	0.850	21.59	1.018	25.86	0.924	23.46
SBH31-NBPP-D19-ST	19/38	0.900	22.86	1.068	27.13	0.974	24.73
SBH31-NBPP-D20-ST	20/40	0.950	24.13	1.118	28.40	1.024	26.00
SBH31-NBPP-D21-ST	21/42	1.000	25.40	1.168	29.67	1.074	27.27
SBH31-NBPP-D22-ST	22/44	1.050	26.67	1.218	30.94	1.124	28.54
SBH31-NBPP-D23-ST	23/46	1.100	27.94	1.268	32.21	1.174	29.81
SBH31-NBPP-D24-ST	24/48	1.150	29.21	1.318	33.48	1.224	31.08
SBH31-NBPP-D25-ST	25/50	1.200	30.48	1.368	34.75	1.274	32.35
SBH31-NBPP-D26-ST	26/52	1.250	31.75	1.418	36.02	1.324	33.62
SBH31-NBPP-D27-ST	27/54	1.300	33.02	1.468	37.29	1.374	34.89
SBH31-NBPP-D28-ST	28/56	1.350	34.29	1.518	38.56	1.424	36.16
SBH31-NBPP-D29-ST	29/58	1.400	35.56	1.568	39.83	1.474	37.43
SBH31-NBPP-D30-ST	30/60	1.450	36.83	1.618	41.10	1.524	38.70
SBH31-NBPP-D31-ST	31/62	1.500	38.10	1.668	42.37	1.574	39.97
SBH31-NBPP-D32-ST	32/64	1.550	39.37	1.718	43.64	1.624	41.24
SBH31-NBPP-D33-ST	33/66	1.600	40.64	1.768	44.91	1.674	42.51
SBH31-NBPP-D34-ST	34/68	1.650	41.91	1.818	46.18	1.724	43.78
SBH31-NBPP-D35-ST	35/70	1.700	43.18	1.868	47.45	1.774	45.05
SBH31-NBPP-D36-ST	36/72	1.750	44.45	1.918	48.72	1.824	46.32
SBH31-NBPP-D37-ST	37/74	1.800	45.72	1.968	49.99	1.874	47.59
SBH31-NBPP-D38-ST	38/76	1.850	46.99	2.018	51.26	1.924	48.86
SBH31-NBPP-D39-ST	39/78	1.900	48.26	2.068	52.53	1.974	50.13
SBH31-NBPP-D40-ST	40/80	1.950	49.53	2.118	53.80	2.024	51.40
SBH31-NBPP-D41-ST	41/82	2.000	50.80	2.168	55.07	2.074	52.67
SBH31-NBPP-D42-ST	42/84	2.050	52.07	2.218	56.34	2.124	53.94
SBH31-NBPP-D43-ST	43/86	2.100	53.34	2.268	57.61	2.174	55.21
SBH31-NBPP-D44-ST	44/88	2.150	54.61	2.318	58.88	2.224	56.48
SBH31-NBPP-D45-ST	45/90	2.200	55.88	2.368	60.15	2.274	57.75
SBH31-NBPP-D46-ST	46/92	2.250	57.15	2.418	61.42	2.324	59.02
SBH31-NBPP-D47-ST	47/94	2.300	58.42	2.468	62.69	2.374	60.29
SBH31-NBPP-D48-ST	48/96	2.350	59.69	2.518	63.96	2.424	61.56
SBH31-NBPP-D49-ST	49/98	2.400	60.96	2.568	65.23	2.474	62.83
SBH31-NBPP-D50-ST	50/100	2.450	62.23	2.618	66.50	2.524	64.10

REVISIONS					
REV.	ECO. NO	DESCRIPTION	DATE	BY	
A	1682	INITIAL RELEASE	5/15/2008	VJ	
B	1852	UPDATE NOTE 3 & TOLERANCE BLOCK	11/13/2008	JH	



PART NUMBER CODING

SBH31 - NBPP - D - - - - ST - - - -

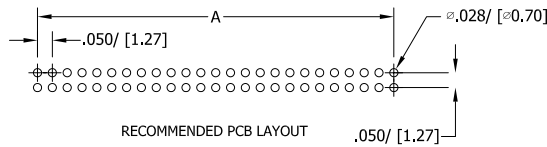
NUMBER OF POSITIONS
(CONTACTS PER ROW)

TERMINATION
STRAIGHT

COLOR
BK = BLACK
YE = YELLOW
RE = RED
BL = BLUE
GR = GREEN
GY = GREY
WH = WHITE
OR = ORANGE

- NOTES:
- INSULATOR MATERIAL: NYLON 6T.
 - CONTACT MATERIAL: BRASS.
 - PLATING: GOLD FLASH OVERALL.
 - OPERATING TEMPERATURE: -40°C ~ 85°C.
 - PROCESSING TEMP: 230°C FOR 60 SECONDS MAX. (260°C, 10 SEC.)
 - UL FLAMMABILITY RATING: 94V-0.
 - VOLTAGE RATING: 20m OHMS MAX.
 - CURRENT RATING: 1 AMP PER CONTACT.
 - VOLTAGE DROP: AC 500 V.
 - INSULATION RESISTANCE: 1000 MEGA OHMS.

RECOMMENDED PCB LAYOUT



UNLESS OTHERWISE SPECIFIED:
DIMENSIONS ARE IN INCHES(MM)
TOLERANCES:
ANGULAR: ± 1°
XXX = ±.012 (0.30)
XXXX = ±.005 (0.13)
XXXXX = ±.004 (0.10)
PARENTHEetical INFORMATION IS FOR REFERENCE ONLY
INTERPRET DIMENSIONS AND GEOMETRIC TOLERANCING PER ANSI Y14.5-1994

DRAWN: V. JARA
DATE: 5/15/2008
NAME:
DESCRIPTION:
PART NUMBER:
SIZE: C
SCALE: NONE

BOX HEADER, .050 [1.27] CC/RS
SBH31-NBPP-D -ST-
DWG. NO. 11098
REV B
SHEET 1 OF 1