

10 9 8 7 6 5 4 3 2 1

F

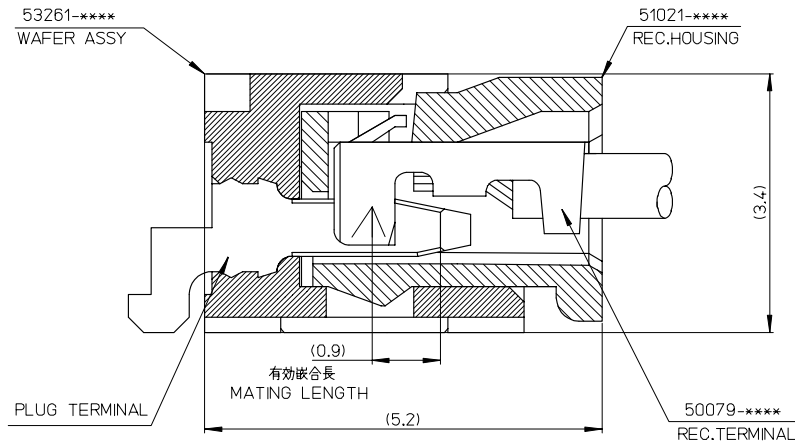
E

D

C

B

A



53261-****	WAFER ASSY	MODEL NO./MATERIAL NO.
50079-****	TERMINAL	
51021-****	HOUSING	

RELEASED EC NO: J2006-2426 DRWN: YAOYAGI CHKD: YMAEDA APPR: NUKITA	GENERAL TOLERANCES (UNLESS SPECIFIED)		DIMENSION STYLE MM ONLY		SCALE ---	DESIGN UNITS METRIC	THIRD ANGLE PROJECTION
	10 UNDER	± ---	DRAWN BY Y. AOYAGI	DATE 2006/01/30	TITLE 1.25 W-T-O-B CONN. 51021,53261 MATING CROSS SECTION		
	10 OVER 30 UNDER	± ---	CHECKED BY Y. MAEDA	DATE 2006/01/30	MOLEX INCORPORATED		
	30 OVER	± ---	APPROVED BY N. UKITA	DATE 2006/01/30	DOCUMENT NO. SD-51021-002		
	ANGULAR	± --- °	MATERIAL NO. SEE CHART		SHEET NO. 1 OF 1		
0	DESCRIPTION	DRAFT WHERE APPLICABLE MUST REMAIN WITHIN DIMENSIONS		THIS DRAWING CONTAINS INFORMATION THAT IS PROPRIETARY TO MOLEX INCORPORATED AND SHOULD NOT BE USED WITHOUT WRITTEN PERMISSION			

9

8

7

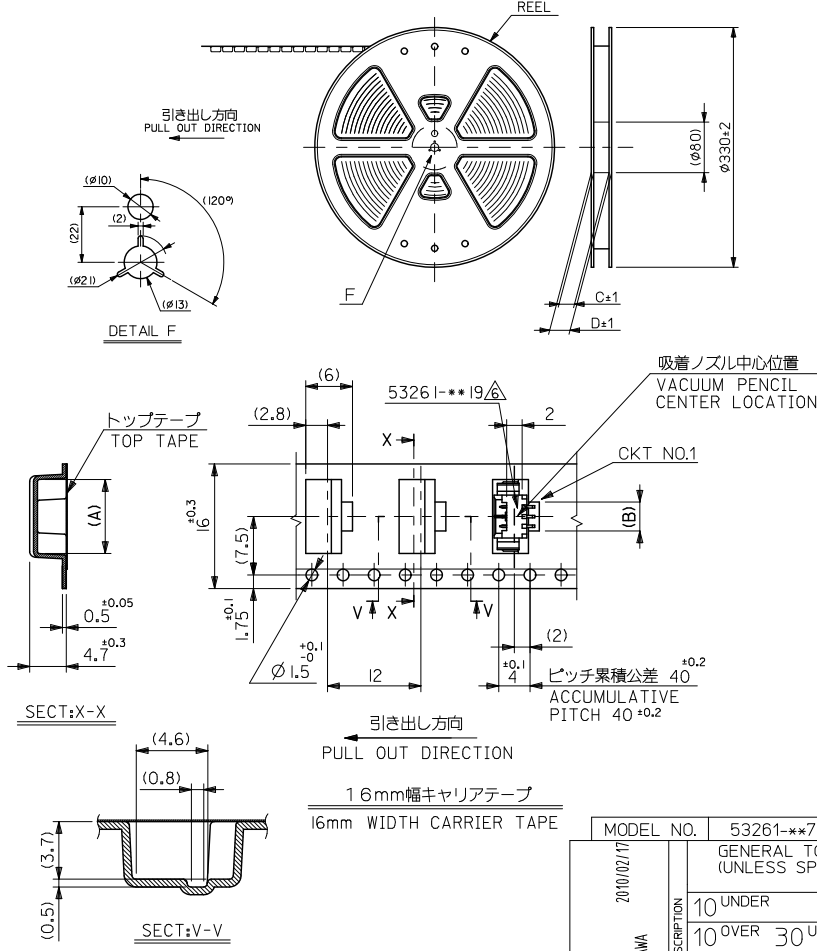
6

5

4

3

2



注記 NOTES

- 53261-***19 の詳細寸法については図面 SD-53261-024 を参照下さい。
RE DETAILED DIMENSIONS, SEE SD-53261-024
- 梱包数量: 1000個/リール
NUMBER OF CONNECTOR: 1000PCS/REEL
- リードテープ長さ LEAD TAPE LENGTH

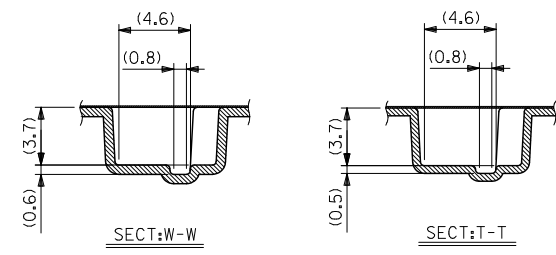
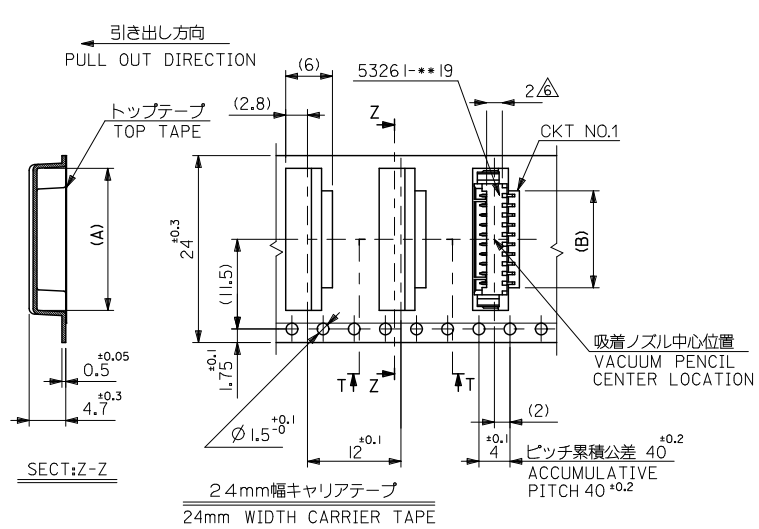
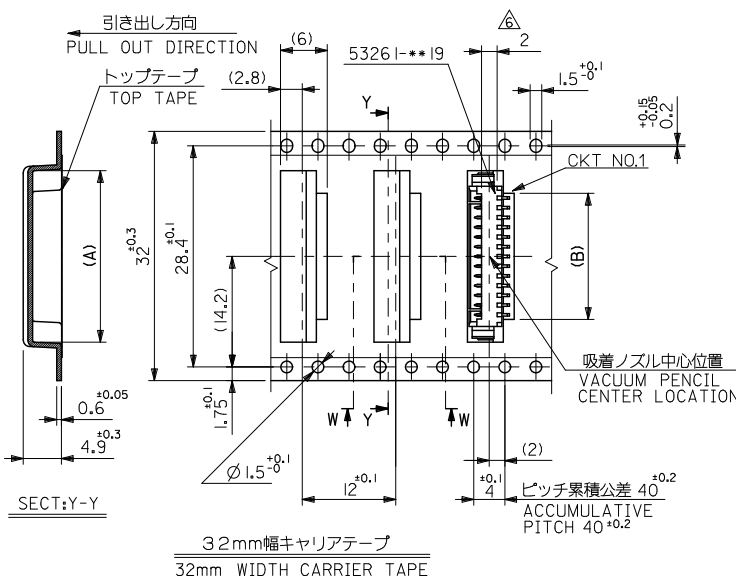
トップテープリーダー部 TOP TAPE LEADER PART	トップテープ未接着部 TOP TAPE NON-BONDED PART
175 ±25	25 ±5

- 材料 (MATERIAL)
 キャリアテープ (CARRIER TAPE): ポリプロピレン (POLYPROPYLENE)
 トップテープ (TOP TAPE): PET, PE, PEF
 リール (REEL): ポリスチレン (PS) <リサイクル材含む> POLYSTYRENE (PS) <RECYCLE MATERIAL CONTAINED>
- コネクタ、ハウジング平面部
CONNECTOR, HOUSING FLAT AREA
- 本製品は 53261-***90 の鉛フリー品である。
THIS PRODUCT IS LEAD FREE OF 53261-***90
- ELV 及び RoHS 適合品
ELV AND RoHS COMPLIANT
- 本製品は乾燥剤入り、ハイバリア梱包仕様である。
THIS PRODUCT IS HIGH BARRIER PACKAGE WITH DESICCANT.

16	21.4	17.4	3.7	9.5	53261-0371	3
キャリアテープ幅 CARRIER TAPE WIDTH	D	C	B	A	53261-0271	2

MODEL NO.	53261-***71	GENERAL TOLERANCES (UNLESS SPECIFIED)	DIMENSION STYLE MM ONLY	SCALE ---	DESIGN UNITS METRIC	THIRD ANGLE PROJECTION
REVISED	2010/02/17	10 UNDER ±0.2	DRAWN BY H. SHIMABUKUR	DATE '04/02/06	TITLE 1.25 W/B CONN WAFER ASSY FOR SMT EMBSTP PKG	
EC NO:	D	10 OVER 30 UNDER ±0.25	CHECKED BY K. TOJO	DATE '04/02/06	MOLEX INCORPORATED	
DRWNGOTO	CHYDKASAKANA	30 OVER ±0.3	APPROVED BY NUKITA	DATE 2010/02/18	DOCUMENT NO. SD-53261-023	
APPR:		ANGULAR ±3 °	MATERIAL NO.	SEE TABLE & SHEET 2,3	SHEET NO. 1 OF 3	
REV:		DRAFT WHERE APPLICABLE MUST REMAIN WITHIN DIMENSIONS	SIZE	A3	THIS DRAWING CONTAINS INFORMATION THAT IS PROPRIETARY TO MOLEX INCORPORATED AND SHOULD NOT BE USED WITHOUT WRITTEN PERMISSION	

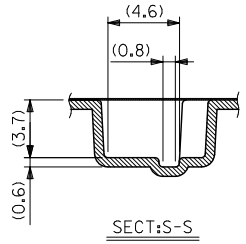
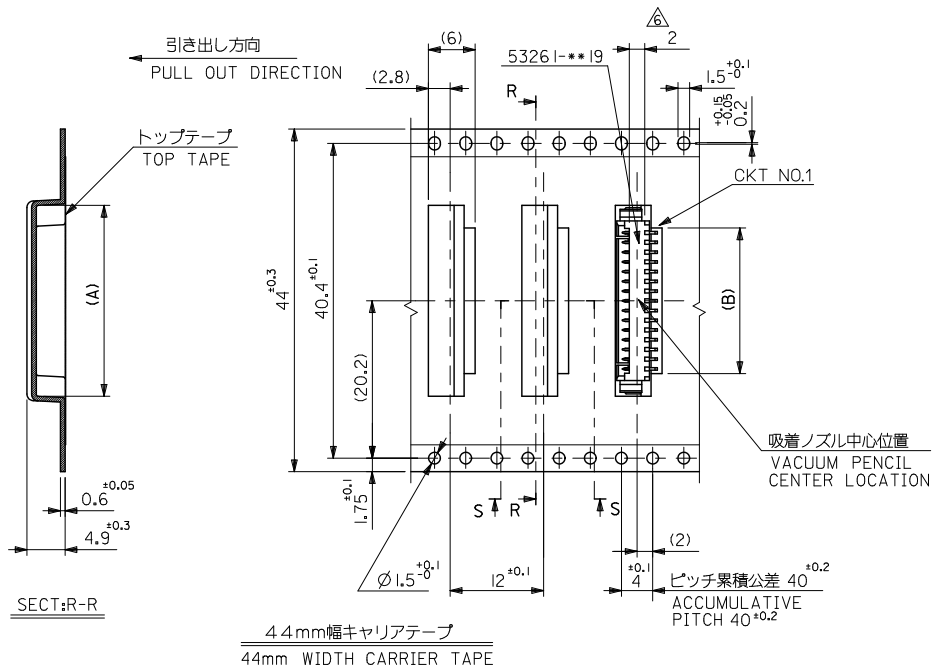
10 9 8 7 6 5 4 3 2 1



32	37.4	33.4	16.2	22	53261-1371	13
			14.95	20.75		-1271
24	29.4	25.4	13.7	19.5	-1171	11
			12.45	18.25	-1071	10
			11.2	17	-0971	9
			9.95	15.75	-0871	8
			8.7	14.5	-0771	7
			7.45	13.25	-0671	6
			6.2	12	-0571	5
			4.95	10.75	53261-0471	4

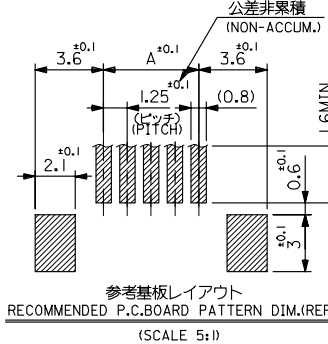
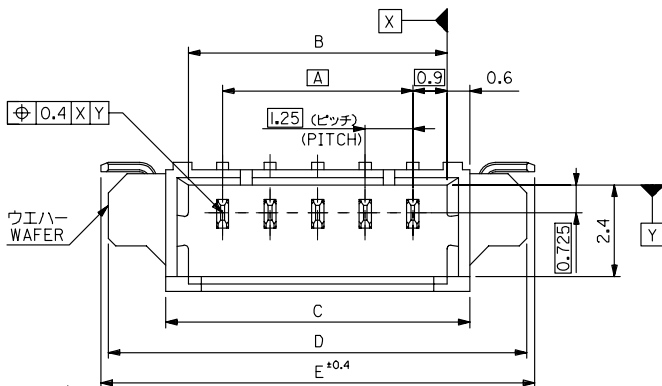
MODEL NO.	53261-***71	キャリアテープ幅 CARRIER TAPE WIDTH	D	C	B	A	EMBOSSED TAPE PACKAGE オーダー番号 ORDER NO.	極数 CKT.
REVISIONS	2010/02/17	GENERAL TOLERANCES (UNLESS SPECIFIED)	DIMENSION STYLE MM ONLY		SCALE	DESIGN UNITS METRIC	THIRD ANGLE PROJECTION	
REV	DESCRIPTION	10 UNDER ±0.2	DRAWN BY	DATE	TITLE	1.25 W/B CONN WAFER ASSY FOR SMT EMBSTP PKG		
D	DRWNYGOTO CHKDKASAKANA	10 OVER 30 UNDER ±0.25	H. SHIMABUKUR	04/02/06	MOLEX INCORPORATED	DOCUMENT NO.		
	APPR:	30 OVER ±0.3	K. TOJO	04/02/06		SD-53261-023	SHEET NO.	
		ANGULAR ±3°	APPROVED BY	DATE	2 OF 3			
		DRAFT WHERE APPLICABLE MUST REMAIN WITHIN DIMENSIONS	NUKITA	2010/02/18	INCORPORATED AND SHOULD NOT BE USED WITHOUT WRITTEN PERMISSION			
			MATERIAL NO.	SEE TABLE & SHEET 1.3				

10 9 8 7 6 5 4 3 2 1

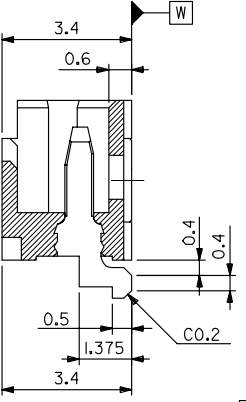
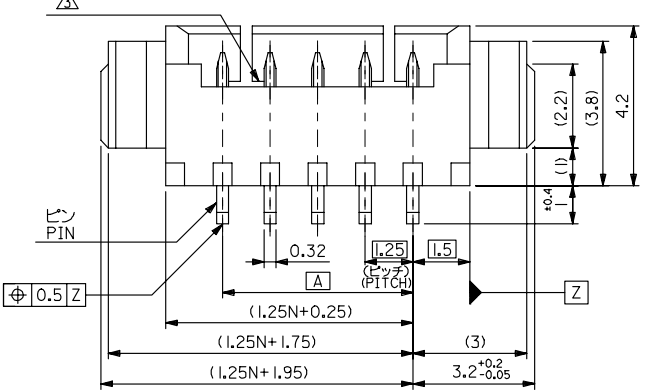


MODEL NO.	53261-***71	44	49.4	45.4	18.7	24.5	53261-1571	15
		キャリアテープ幅 CARRIER TAPE WIDTH	D	C	B	A	53261-1471	14
			EMBOSSED TAPE PACKAGE		極数 CKT.		オーダー番号 ORDER NO.	
REVISED	DESCRIPTION	GENERAL TOLERANCES (UNLESS SPECIFIED)		DIMENSION STYLE MM ONLY		SCALE	DESIGN UNITS	THIRD ANGLE PROJECTION
EC NO:	2010/02/17	10 UNDER	±0.2		DRAWN BY	DATE	TITLE	
DRWNGOTO		10 OVER 30 UNDER	±0.25		H. SHIMABUKUR	'04/02/06	1.25 W/B CONN WAFER ASSY FOR SMT EMBSTP PKG	
CHKDKASAKANA		30 OVER	±0.3		CHECKED BY	DATE	MOLEX INCORPORATED	
APPR:		ANGULAR	±3 °		K. TOJO	'04/02/06	SD-53261-023	
REV		DRAFT WHERE APPLICABLE MUST REMAIN WITHIN DIMENSIONS		APPROVED BY	DATE	SHEET NO.		
				NUKITA	2010/02/18	3 OF 3		
				MATERIAL NO.	SEE TABLE & SHEET 12	DOCUMENT NO.		
				SIZE	A3	THIS DRAWING CONTAINS INFORMATION THAT IS PROPRIETARY TO MOLEX INCORPORATED AND SHOULD NOT BE USED WITHOUT WRITTEN PERMISSION		

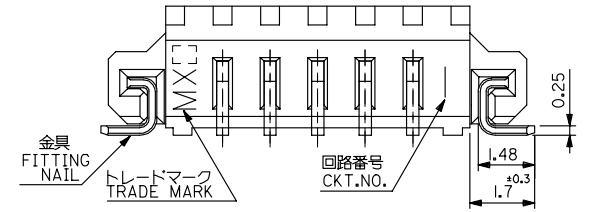
10 9 8 7 6 5 4 3 2 1



- 注記 NOTES**
- 嵌合相手: 51021 シリーズ
MATES WITH: 51021 SERIES
 - 材質 MATERIAL: NYLON46, UL94V-0
ピン: リン青銅
PIN: PHOS-BRO
: 銅メッキ 1.0マイクromメートル以上
: TIN 1.0 MICROMETER MINIMUM
: ニッケル下地 1.0マイクromメートル以上
: NICKEL UNDER PLATING 1.0 MICROMETER MINIMUM
 - 金具 FITTING NAIL: リン青銅
: PHOS-BRO
: 銅メッキ 1.0マイクromメートル以上
: TIN 1.0 MICROMETER MINIMUM
: ニッケル下地 1.0マイクromメートル以上
: NICKEL UNDER PLATING 1.0 MICROMETER MINIMUM
 - ロック窓は2, 3個は1箇所、4個以上は2箇所とする。
LOCKING WINDOW: ONE PLACE FOR 2 AND 3 CKT. AND TWO PLACES FOR MORE THAN 3 CKT.
 - ソルダーテール部のスリ量及び金具(補強板)のスリ量は基準面[W]に対し、上方向0.05 MAX、下方向に0.1 MAXとする。 [W]
OFFSET BETWEEN BASIS PLANE TO SOLDER TAIL BOTTOM AND FITTING NAIL BOTTOM:
UPPER SIDE: 0.05MAX.
LOWER SIDE: 0.1MAX.
 - 本製品は 53261-**-**10 の鉛フリー品である。
THIS PRODUCT IS LEAD FREE OF 53261-**-**10



26.4	26	23	21.8	20	53261-1719	17	
23.9	23.5	20.5	19.3	17.5	-1519	15	
22.65	22.25	19.25	18.05	16.25	-1419	14	
21.4	21	18	16.8	15	-1319	13	
20.15	19.75	16.75	15.55	13.75	-1219	12	
18.9	18.5	15.5	14.3	12.5	-1119	11	
17.65	17.25	14.25	13.05	11.25	-1019	10	
16.4	16	13	11.8	10	-0919	9	
15.15	14.75	11.75	10.55	8.75	-0819	8	
13.9	13.5	10.5	9.3	7.5	-0719	7	
12.65	12.25	9.25	8.05	6.25	-0619	6	
11.4	11	8	6.8	5	-0519	5	
10.15	9.75	6.75	5.55	3.75	-0419	4	
8.9	8.5	5.5	4.3	2.5	-0319	3	
53261-**-**19	7.65	7.25	4.25	3.05	1.25	53261-0219	2



REVISED	EC NO. J2005-3130	2005/04/19	GENERAL TOLERANCES (UNLESS SPECIFIED)	DIMENSION STYLE	SCALE	DESIGN UNITS	THIRD ANGLE PROJECTION
DRW:NAIDA	CHK:KTUYODA	2005/04/21	10 UNDER ±0.2	MM ONLY	10:1	METRIC	
APP:NIKIITA	2005/04/25		10 OVER 30 UNDER ±0.25	DRAWN BY	DATE	TITLE	
			30 OVER ±0.3	HSHIMABU	04/02/06	1.25 WIRE TO BOARD WAFER ASS FOR SMT -LEAD FREE-	
			ANGULAR ±3 °	CHECKED BY	DATE		
			DRAFT WHERE APPLICABLE MUST REMAIN WITHIN DIMENSIONS	KTOJO	04/02/06		
				APPROVED BY	DATE		
				MSASAO	04/02/06		
				MATERIAL NO.	DOCUMENT NO.		
				SEE DRAWING	SD-53261-024		
				SIZE			
				A3			
				THIS DRAWING CONTAINS INFORMATION THAT IS PROPRIETARY TO MOLEX INCORPORATED AND SHOULD NOT BE USED WITHOUT WRITTEN PERMISSION			