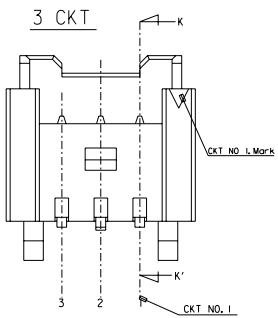
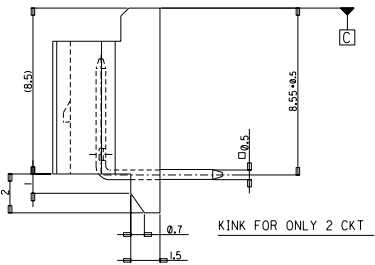
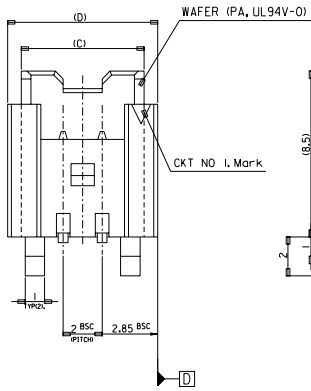
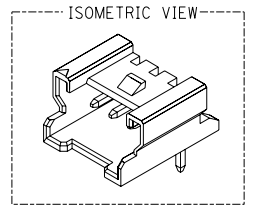
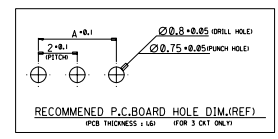
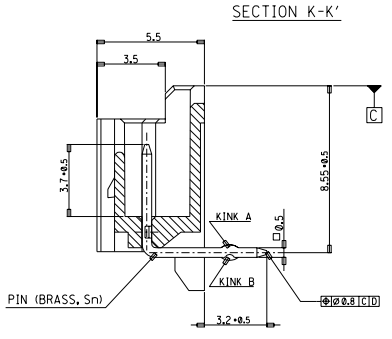
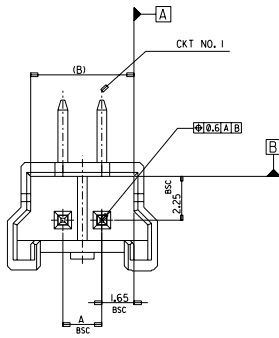


DWG. NO. SD-35363-002
 SIMILAR ITEM
 PROJECT NO.
 C
 B
 DO NOT SCALE DRAWING DIMENSION IN METRIC

8 7 6 5 4 3 2 1

LEAD FREE

FOR 2 & 3 CKTS.



LEGEND		COLOR
SD-35363-6*	6*	0 : NATURAL
CKT NO. 1, Mark		1 : BLACK
LEAD FREE		2 : RED
		3 : YELLOW
		4 : BLUE
		5 : GREEN

9.7	8.3	7.3	4	35363036*	-036*	3
7.7	6.3	5.3	2	35363026*	35363-026*	2
(D)	(C)	(B)	A	MATERIAL NO.	ENG. NO.	CKT

- NOTES
- MATERIAL : WAFER : POLYAMIDE(PA), NO GLASS, UL94V-0
PIN : BRASS
 - FINISHES : TERMINAL : Sn 2+3um OVERALL
 - PRODUCT SPECIFICATION : PS-35507-003
 - MATING HOUSING : 35507-***0*
 - MATING TERMINAL : 50212-8000
 - KINK

CKT	CKT NO.	1	2	3
2 CKT	NONE	KINK		
3 CKT	A	B	A	

30 over	±0.3
10 over 30 under	±0.25
10 under	±0.2
ANGLE	±3°
GENERAL TOLERANCE	

Release	KOR2004-0137
EC NO.	YS00KIM 04/02/24
DRWN:	YS00KIM
CHK:	JKOH
APPR:	CWLEE
REV	DESCRIPTION
A	

QUALITY SYMBOLS
 MAJOR =
 CRITICAL =
 C =

GENERAL TOLERANCES: (UNLESS SPECIFIED)	mm		INCH	
	4 PLACES	±0.	±.	
3 PLACES	±0.	±.		
2 PLACES	±0.	±.		
1 PLACE	±0.	±.		
ANGULAR: ±				

DRAFT WHERE APPLICABLE MUST REMAIN WITHIN DIMENSIONS

SCALE	1 : 1
DESIGN UNITS	<input checked="" type="checkbox"/> mm <input type="checkbox"/> INCH
DRAWN BY & DATE	YS00KIM 96/09/11
CHECKED BY & DATE	J.K.Oh 96/09/11
APPROVED BY & DATE	C.W.Lee 96/09/11
CAD FILENAME	SD35363-001S2.DGN

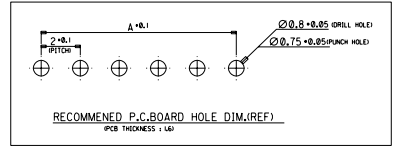
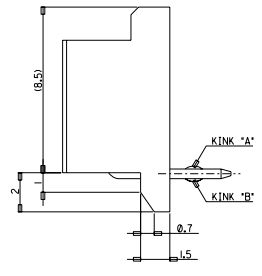
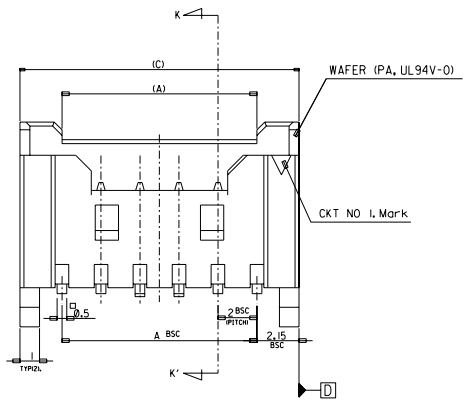
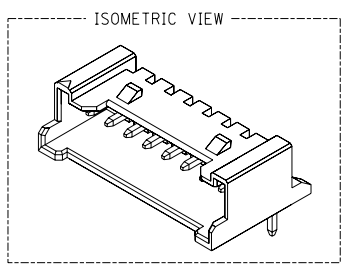
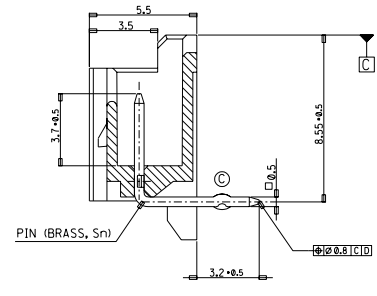
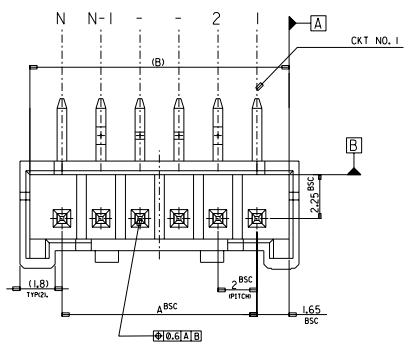
DIMENSIONS:		SMT		REV	
<input type="checkbox"/> mm	<input type="checkbox"/> INCH	<input type="checkbox"/> mm	<input type="checkbox"/> INCH	REVISE ON CAD ONLY	
THIRD ANGLE PROJECTION					
TITLE: NEW 2.0 W/B CONN WAFER ASSY (R/A) (LEAD FREE)					
MOLEX INCORPORATED					
MATERIAL NO.		DRAWING NO.		SHEET NO.	
SEE NOTE		SD-35363-002		2 OF 3	
THIS DRAWING CONTAINS INFORMATION THAT IS PROPRIETARY TO MOLEX INCORPORATED AND SHOULD NOT BE USED WITHOUT WRITTEN PERMISSION.					
SIZE B					

8 7 6 5 4 3 2 1 MX-A3

DWG. NO. SD-35363-002
 SIMILAR ITEM
 PROJECT NO.
 C
 B
 DO NOT SCALE DRAWING DIMENSION IN METRIC

8 7 6 5 4 3 2 1

LEAD FREE



LEGEND	
SD-35363-***6	COLOR
0	NATURAL
1	BLACK
2	RED
3	YELLOW
4	BLUE
5	GREEN

42.3	41.3	38	35363206*	35363-206*	20
(C)	(B)	A	MATERIAL NO.	ENG. NO.	CKT

- NOTES
- MATERIAL : WAFER : POLYAMIDE(PA), NO GLASS, UL94V-0
PIN : BRASS
 - FINISHES : TERMINAL : Sn 2+3um OVERALL
 - PRODUCT SPECIFICATION : PS-35507-003
 - MATING HOUSING : 35507-***0
MATING TERMINAL : 50212-8000
 - KINK

CKT NO	1	2	3	4	N-3	N-2	N-1	N
20	-	A	B	-	-	B	A	-

30 over	±0.3
10 over 30 under	±0.25
10 under	±0.2
ANGLE	±3°
GENERAL TOLERANCE	

Release	EC NO. KOR2004-0037	DRWN: YS00KIM 04/02/24	CHK: JIKOH	APPR: CWLEE
DESCRIPTION	MAJOR = CRITICAL =			
REV	A			

GENERAL TOLERANCES: (UNLESS SPECIFIED)	DIMENSIONS:	
	mm	INCH
4 PLACES	±0.	±.
3 PLACES	±0.	±.
2 PLACES	±0.	±.
1 PLACE	±0.	±.
ANGULAR: ±		
DRAFT WHERE APPLICABLE MUST REMAIN WITHIN DIMENSIONS		

SCALE 1:1	DESIGN UNITS mm INCH	THIRD ANGLE PROJECTION	SHT	REV
DRAWN BY & DATE YS00KIM 98/04/23	CHECKED BY & DATE J.K.Oh 98/04/23	APPROVED BY & DATE C.W.Lee 98/04/23	TITLE: NEW 2.0 W/B CONN WAFER ASSY (R/A) (LEAD FREE)	
CAD FILENAME SD35363-002S3.DGN	MATERIAL NO. SEE NOTE	DRAWING NO. SD-35363-002	SHEET NO. 3 OF 3	
THIS DRAWING CONTAINS INFORMATION THAT IS PROPRIETARY TO MOLEX INCORPORATED AND SHOULD NOT BE USED WITHOUT WRITTEN PERMISSION.				
			MOLEX INCORPORATED	
SIZE B				

8 7 6 5 4 3 2 1 MX-A3