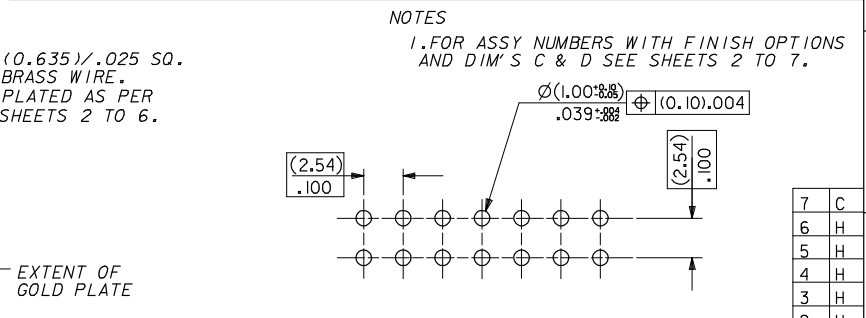
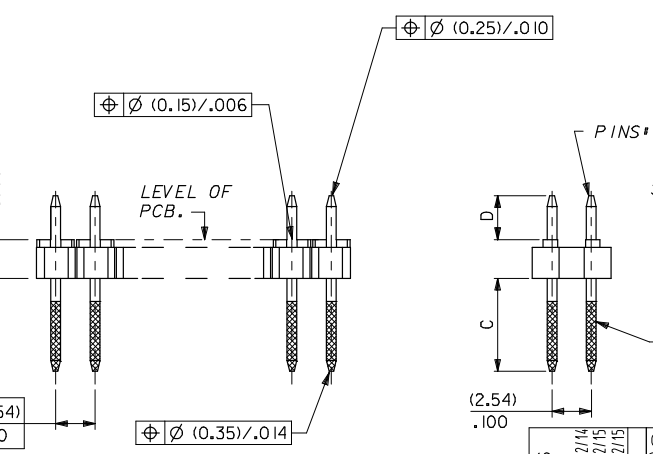


CKT SIZE	DIM. "A"		DIM. "B"		CKT SIZE	DIM. "A"		DIM. "B"	
2X 1			(2.54)	.100	2X21	(50.80)	2.000	(53.34)	2.100
2X 2	(2.54)	.100	(5.08)	.200	2X22	(53.34)	2.100	(55.88)	2.200
2X 3	(5.08)	.200	(7.62)	.300	2X23	(55.88)	2.200	(58.42)	2.300
2X 4	(7.62)	.300	(10.16)	.400	2X24	(58.42)	2.300	(60.96)	2.400
2X 5	(10.16)	.400	(12.70)	.500	2X25	(60.96)	2.400	(63.50)	2.500
2X 6	(12.70)	.500	(15.24)	.600	2X26	(63.50)	2.500	(66.04)	2.600
2X 7	(15.24)	.600	(17.78)	.700	2X27	(66.04)	2.600	(68.58)	2.700
2X 8	(17.78)	.700	(20.32)	.800	2X28	(68.58)	2.700	(71.12)	2.800
2X 9	(20.32)	.800	(22.86)	.900	2X29	(71.12)	2.800	(73.66)	2.900
2X10	(22.86)	.900	(25.40)	1.000	2X30	(73.66)	2.900	(76.20)	3.000
2X11	(25.40)	1.000	(27.94)	1.100	2X31	(76.20)	3.000	(78.74)	3.100
2X12	(27.94)	1.100	(30.48)	1.200	2X32	(78.74)	3.100	(81.28)	3.200
2X13	(30.48)	1.200	(33.02)	1.300	2X33	(81.28)	3.200	(83.82)	3.300
2X14	(33.02)	1.300	(35.56)	1.400	2X34	(83.82)	3.300	(86.36)	3.400
2X15	(35.56)	1.400	(38.10)	1.500	2X35	(86.36)	3.400	(88.90)	3.500
2X16	(38.10)	1.500	(40.64)	1.600	2X36	(88.90)	3.500	(91.44)	3.600
2X17	(40.64)	1.600	(43.18)	1.700	2X37	(91.44)	3.600	(93.98)	3.700
2X18	(43.18)	1.700	(45.72)	1.800	2X38	(93.98)	3.700	(96.52)	3.800
2X19	(45.72)	1.800	(48.26)	1.900	2X39	(96.52)	3.800	(99.06)	3.900
2X20	(48.26)	1.900	(50.80)	2.000	2X40	(99.06)	3.900	(101.60)	4.000



NOTES
 2. RECOMMENDED PCB THICKNESS 1.6MM
 3. PRODUCT SPECIFICATION: PS-99020-0001

ADDED NOTES EC NO: E2008-0337 DRW: K. TERMAN CHKD: M. K. TERMAN APPR: B. MAGUIRE	QUALITY SYMBOLS ▽ = ▽ = ▽ =	GENERAL TOLERANCES (UNLESS SPECIFIED) mm INCH 4 PLACES ± --- ± --- 3 PLACES ± --- ± --- 2 PLACES ± --- ± --- 1 PLACE ± --- ± --- ANGULAR ± --- °	DIMENSION STYLE MM ONLY DRAWN BY: DB DATE: 16/7/87 CHECKED BY: DATE: APPROVED BY: DATE:	SCALE: 4:1 DESIGN UNITS: METRIC THIRD ANGLE PROJECTION	TITLE: C GRID III DUAL ROW STRAIGHT PIN HEADER MOLEX INCORPORATED MATERIAL NO. SEE CHART DOCUMENT NO. SDA-90131 SHEET NO. 1 OF 7
		DRAFT WHERE APPLICABLE MUST REMAIN WITHIN DIMENSIONS		THIS DRAWING CONTAINS INFORMATION THAT IS PROPRIETARY TO MOLEX INCORPORATED AND SHOULD NOT BE USED WITHOUT WRITTEN PERMISSION	
		REV:		SIZE: A3	
		DESCRIPTION:		DATE: 2008/02/14 2008/02/15 2008/02/15	

	10	9	8	7	6	5	4	3	2	1													
F E D C B A	PART NO. SEE CHART DWG. NO. SDA-90131	DIM C (+0.20) ±.008 (6.75) .266	DIM D (+0.20) ±.008 (-0.02) (2.90) .114	CIRCUIT SIZE	PLATING TYPE A PART NO.	PLATING TYPE E PART NO.	PLATING TYPE F PART NO.																
				2 X 1	90131-0121	90131-0761	90131-0921																
				2 X 2	-0122	-0762	-0922																
				2 X 3	-0123	-0763	-0923																
				2 X 4	-0124	-0764	-0924																
				2 X 5	-0125	-0765	-0925																
				2 X 6	-0126	-0766	-0926																
				2 X 7	-0127	-0767	-0927																
				2 X 8	-0128	-0768	-0928																
				2 X 9	-0129	-0769	-0929																
				2 X 10	-0130	-0770	-0930																
				2 X 11	-0131	-0771	-0931																
				2 X 12	-0132	-0772	-0932																
				2 X 13	-0133	-0773	-0933																
				2 X 14	-0134	-0774	-0934																
				2 X 15	-0135	-0775	-0935																
				2 X 16	-0136	-0776	-0936																
				2 X 17	-0137	-0777	-0937																
				2 X 18	-0138	-0778	-0938																
				2 X 19	-0139	-0779	-0939																
				2 X 20	-0140	-0780	-0940																
				2 X 21	-0141	-0781	-0941																
				2 X 22	-0142	-0782	-0942																
				2 X 23	-0143	-0783	-0943																
				2 X 24	-0144	-0784	-0944																
				2 X 25	-0145	-0785	-0945																
				2 X 26	-0146	-0786	-0946																
				2 X 27	-0147	-0787	-0947																
				2 X 28	-0148	-0788	-0948																
				2 X 29	-0149	-0789	-0949																
				2 X 30	-0150	-0790	-0950																
				2 X 31	-0151	-0791	-0951																
				2 X 32	-0152	-0792	-0952																
				2 X 33	-0153	-0793	-0953																
				2 X 34	-0154	-0794	-0954																
				2 X 35	-0155	-0795	-0955																
				2 X 36	-0156	-0796	-0956																
				2 X 37	-0157	-0797	-0957																
				2 X 38	-0158	-0798	-0958																
				2 X 39	-0159	-0799	-0959																
2 X 40	90131-0160	90131-0800	90131-0960																				
NOTES: FOR PLATING VARIATIONS SEE ENG.STD. SDES-99000-0003.				FOR PREVIOUS DRAWING ISSUES SEE MRI.				LTR H SEE SHEET I.		REVISIONS		DIMENSIONS SHOWN (METRIC) INCH UNLESS OTHERWISE SPECIFIED TOLERANCES: ANGULAR ± 8°		DRWG BY DB		CAD/CAM FILENAME SDA90131.K2 DGN		THIS DRAWING CONTAINS INFORMATION THAT IS PROPRIETARY TO MOLEX INC. & SHOULD NOT BE USED WITHOUT WRITTEN PERMISSION		REVISE ONLY ON CAD SYSTEM		SHL. REV.	
STANDARD PRODUCTS												3 PLACE ± 2 PLACE ± 1 PLACE ±		CHKD BY		TITLE C-GRID III DUAL ROW STRAIGHT PIN HEADER		DESIGN DIMENSION (PRIMARY) <input checked="" type="checkbox"/> (MM) <input type="checkbox"/> IN.		APP'D BY		SCALE	